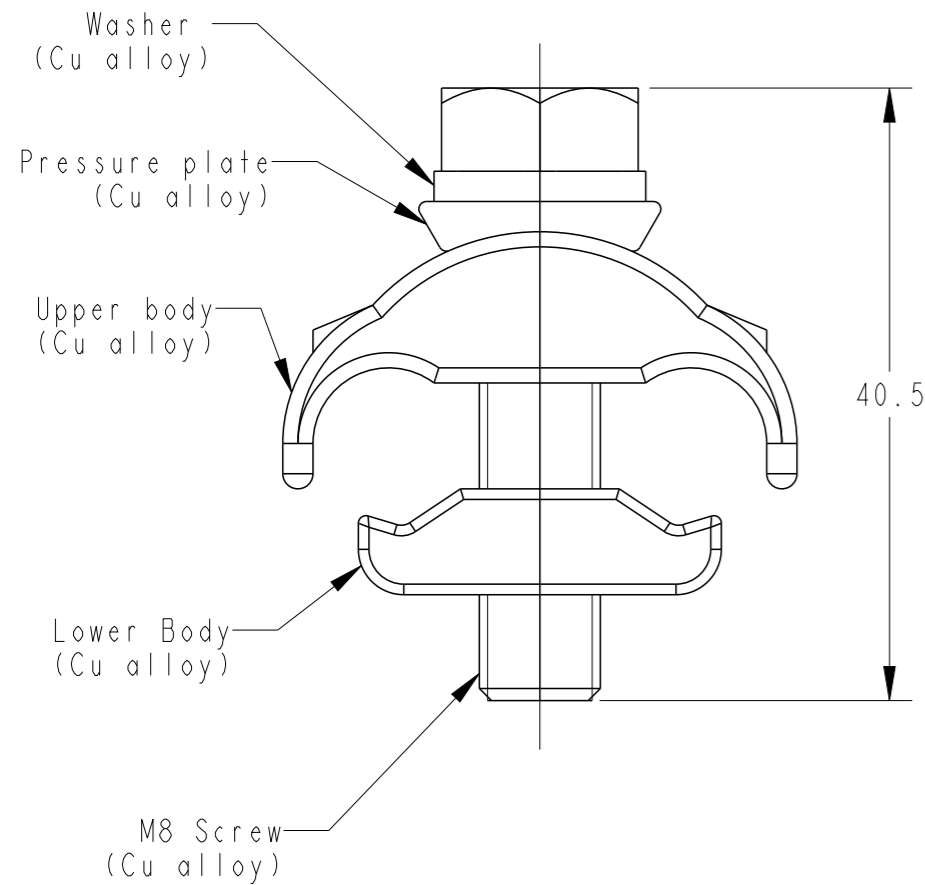
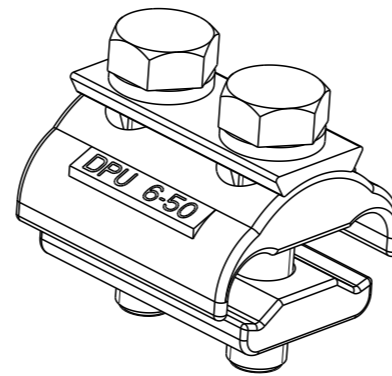


P	LTR	DESCRIPTION	DATE	DWN	APVD
A		INITIAL RELEASE	06MAY2021	SM	NA

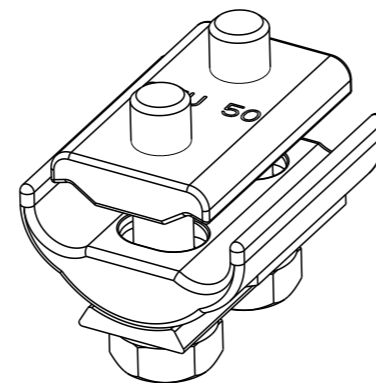


ECHELLE 1:1

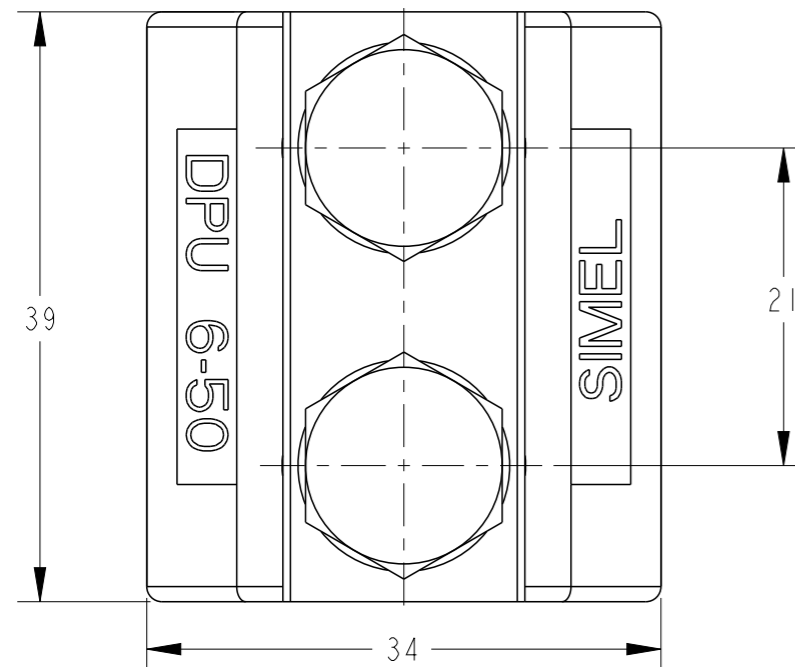


Notes:

1. Capacities: 6 to 50 mm² Main and Tap
2. Marking: Batch number (week and year of manufacturing)



ECHELLE 1:1



DPU 6-50U	708990-1
DESCRIPTION	TCPN

THIS DRAWING IS A CONTROLLED DOCUMENT.		DWN SATYA.M 06MAY2021			
DIMENSIONS: mm		CHK L. JONATHAN 06MAY2021			
TOLERANCES UNLESS OTHERWISE SPECIFIED:		APVD N. ALMEDIA 06MAY2021			
		PRODUCT SPEC -	NAME DPU 6-50 U		
MATERIAL -		APPLICATION SPEC -	SIZE A3	CAGE CODE 00779	DRAWING NO. C=708990
FINISH -		WEIGHT 150 g	RESTRICTED TO -		
-		CUSTOMER DRAWING	SCALE 2:1	SHEET 1 OF 1	REV A