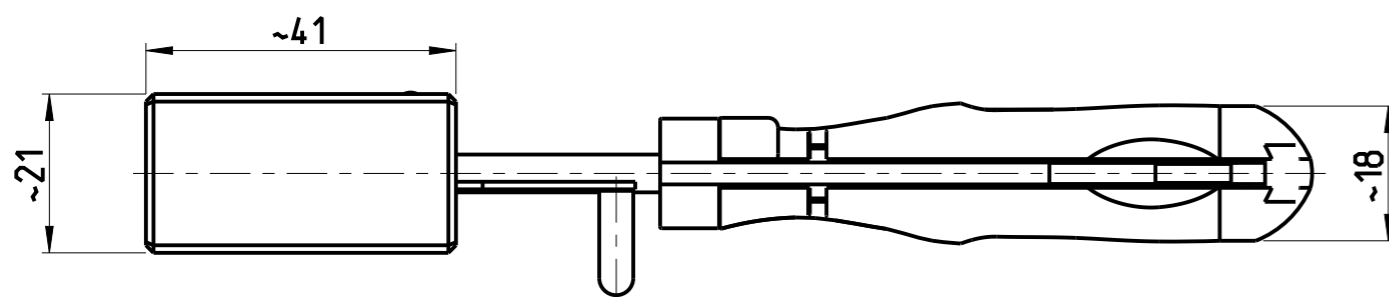
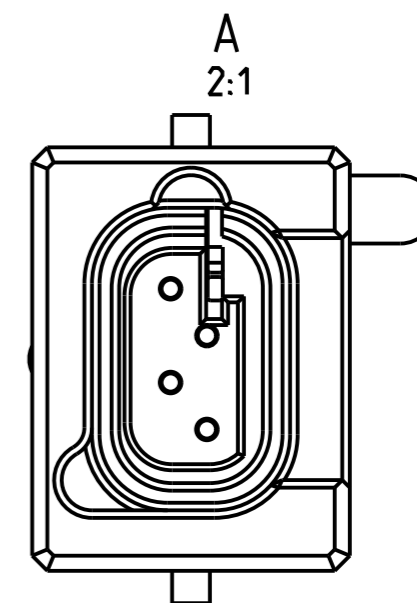
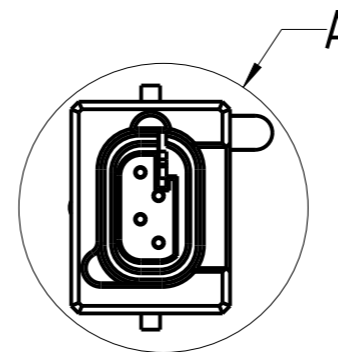
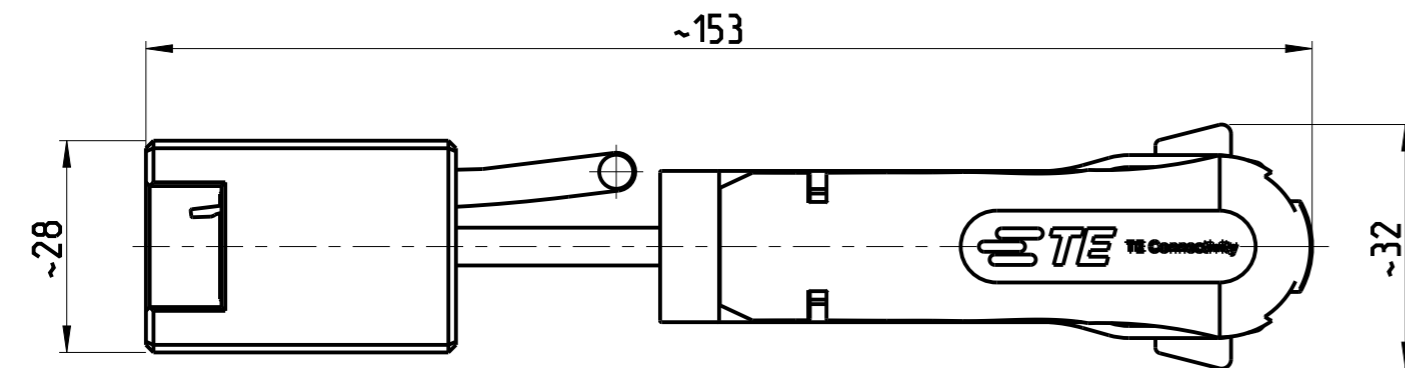
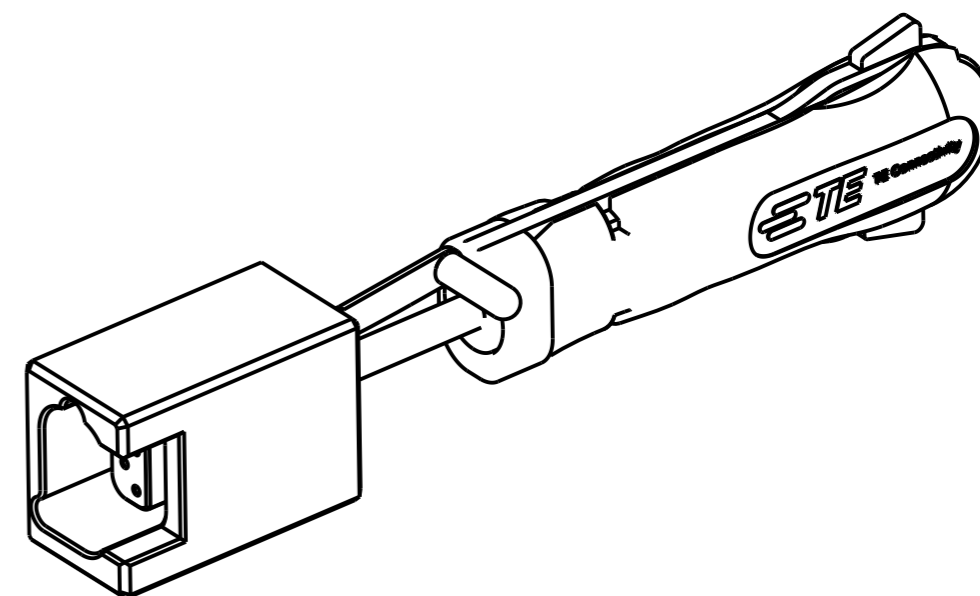
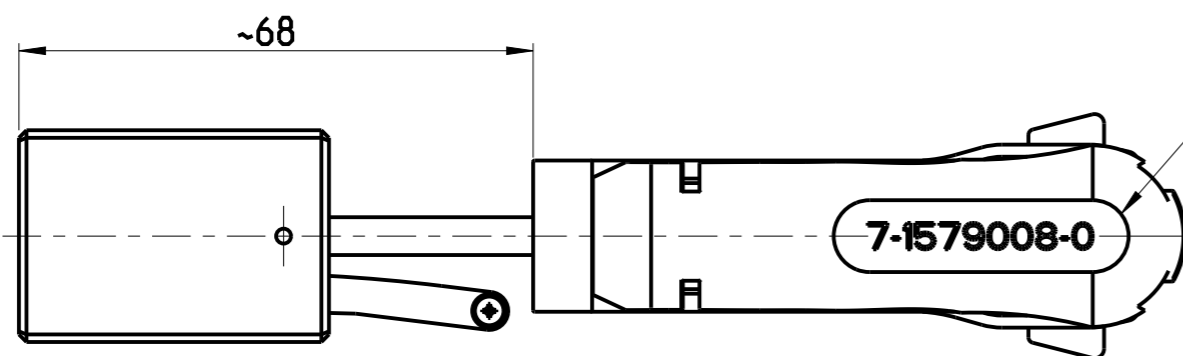


REVISIONS

P	LTR	DESCRIPTION	DATE	DWN	APVD
A2	ECR-17-007539		05MAY2017	MG	BM
A3	ECR-21-001695		09FEB2021	PNT	GS



ITEM NUMBER
Art-Nr H=3mm



APPLICATION RANGE / Anwendungsbereich:

CONTACT MQS: 962886.965908
HOUSING 4 Pos. MQS : 963663

THIS DRAWING IS A CONTROLLED DOCUMENT.

DIMENSIONS:	TOLERANCES UNLESS OTHERWISE SPECIFIED:
mm	
	0 PLC ±
	1 PLC ±
	2 PLC ±
	3 PLC ±
	4 PLC ±
	ANGLES ±
MATERIAL	FINISH

DWN	S. Samstag	04 JUN2008
CHK	G. Stegmayer	04 JUN2008
APVD	G. Stegmayer	04 JUN2008
PRODUCT SPEC		
APPLICATION SPEC		
WEIGHT	0.080kg	
CUSTOMER DRAWING		



NAME LOCKING TOOL Entriegelungswerkzeug				RESTRICTED TO
SIZE	CAGE CODE	DRAWING NO		
A3	00779	C-7-1579008-0	-	
SCALE	SHEET	OF	REV	
1:1	1	1	A3	