

THIS DRAWING IS UNPUBLISHED.

RELEASED FOR PUBLICATION

2019

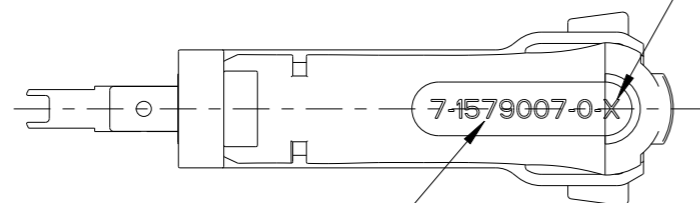
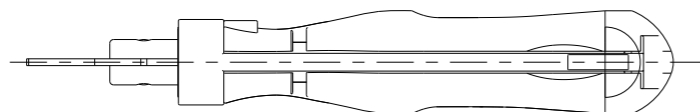
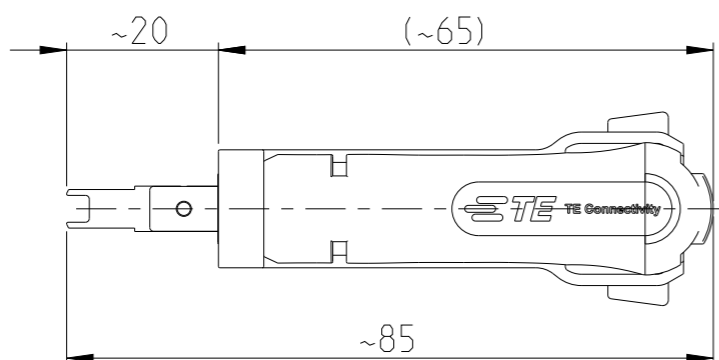
© COPYRIGHT 2019

TE Connectivity Germany GmbH

ALL RIGHTS RESERVED.

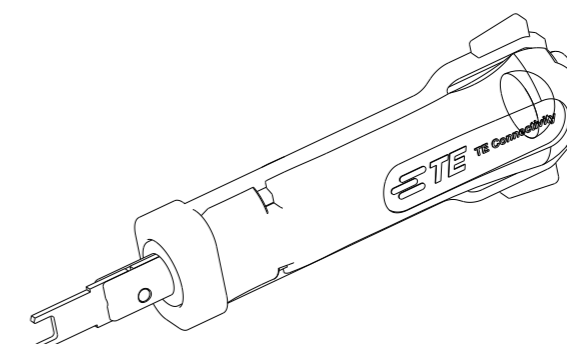
REVISIONS

P	LTR	DESCRIPTION	DATE	DWN	APVD
	A	EGC0-0332-04	25JAN2005	ZA	-
	B	ECR-22-145501	08JUL2022	RRD	BM



CURRENT REVISION
Aktuelle Revision

TYPE HEIGHT 3mm
Schrifthoehe 3mm



THIS DRAWING IS A CONTROLLED DOCUMENT.

DWN J. ZAJICEK 25JAN2005

CHK -

APVD -

PRODUCT SPEC -

APPLICATION SPEC -

WEIGHT 0.014 kg

CUSTOMER DRAWING



TE Connectivity

NAME
EXTRACTION TOOL

SIZE CAGE CODE DRAWING NO RESTRICTED TO

A3 00779 C-7-1579007-0

SCALE 1:1 SHEET 1 OF 1 REV B

DIMENSIONS: mm



TOLERANCES UNLESS OTHERWISE SPECIFIED:

0 PLC	±
1 PLC	±
2 PLC	±
3 PLC	±
4 PLC	±
ANGLES	±
FINISH	-

MATERIAL -

-