

CUSTOMER DRAWING

CATALOG # 6VM2		
ECO #	APPRVD	DATE
23-196683	JB	02FEB23

SAFETY ORGANIZATIONS

THIS FILTER HAS BEEN FORMALLY RECOGNIZED, CERTIFIED OR APPROVED BY THE LISTED AGENCY. THEREFORE, ALL TEST/REQUIREMENTS SPECIFIED IN THE LATEST REVISION OF THE FOLLOWING AGENCY STANDARDS HAVE BEEN MET:

UL RECOGNIZED: UL 498
 CSA CERTIFIED: CSA C22.2 No. 42

OPERATING SPECIFICATIONS

LINE VOLTAGE/CURRENT: 6 AMP, 120 VAC,
 6 AMP/40°C, 250 VAC
 LINE FREQUENCY: 47-440Hz

RELIABILITY SPECIFICATIONS:

STORAGE TEMPERATURE: -55°C TO +85°C
 HUMIDITY: 21 DAYS @ 40°C 95% RH.
 CURRENT OVERLOAD TEST: 6 TIMES I_r FOR
 8 SECONDS

TEST SPECIFICATIONS:

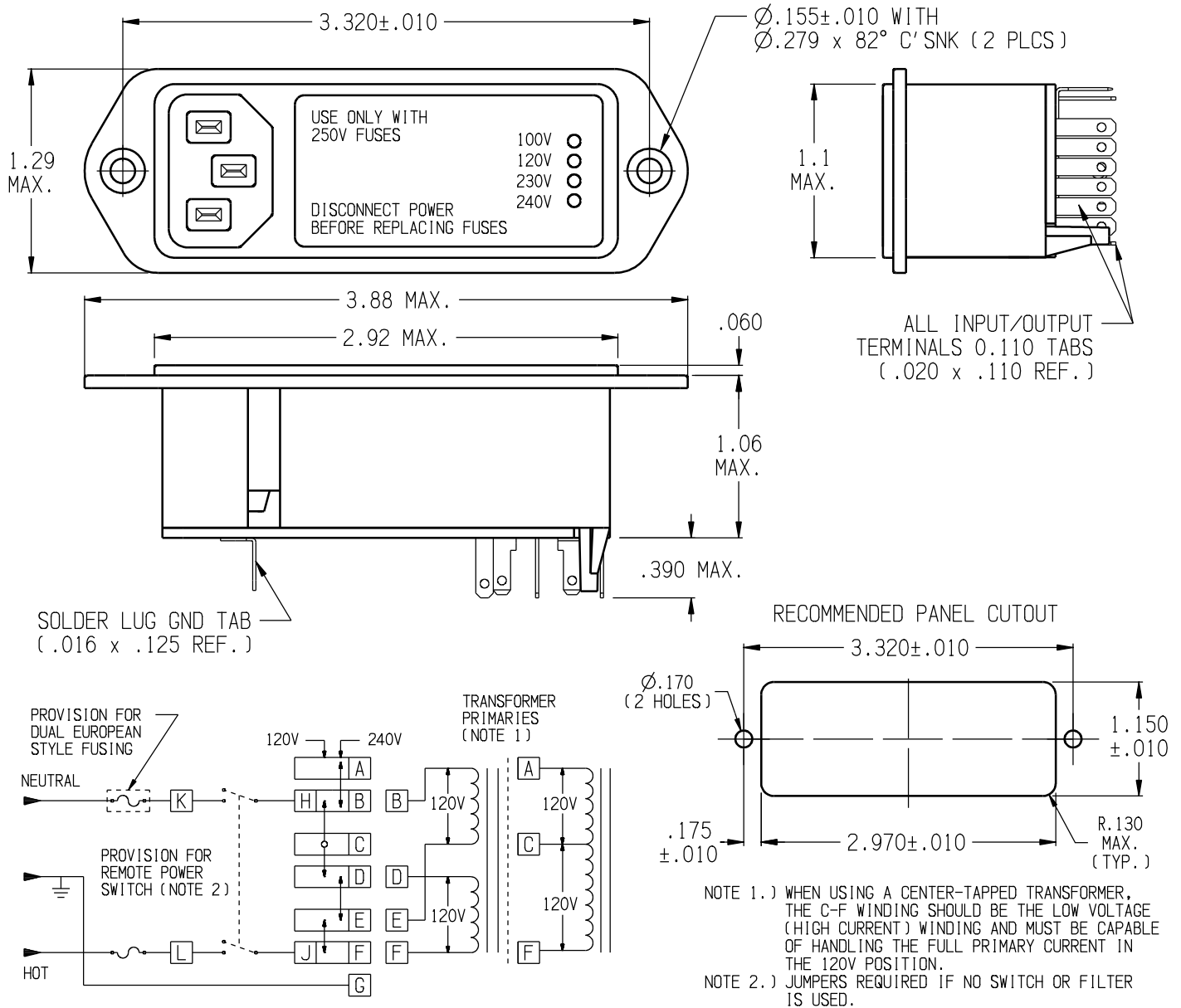
LINE/GROUND AND LINE/LINE: 6000MΩ (MIN.) @ 100VDC,
 INSULATION RESISTANCE: @ 20°C AND 50% RH

RECOMMENDED RECEIVING INSPECTION HIPOT:

LINE TO GROUND: 1500 VAC FOR 1 MINUTE
 LINE TO LINE: 1450 VDC FOR 1 MINUTE

FILTER APPROVAL:

THE BEST WAY TO SELECT AND QUALIFY A FILTER IS FOR YOUR ENGINEERING TO TEST THE UNIT IN YOUR EQUIPMENT.



50Ω - 50Ω (MINIMUM) INSERTION LOSS										
FREQUENCY MHz	/	/	/	/	/	/	/	/	/	/
COMMON dB	/	/	/	/	/	/	/	/	/	/
DIFF. dB	/	/	/	/	/	/	/	/	/	/
SHEET SIZE	THIRD ANGLE PROJECTION									
THIS INFORMATION IS CONFIDENTIAL AND PROPRIETARY TO TYCO ELECTRONICS CORPORATION AND ITS WORLDWIDE SUBSIDIARIES AND AFFILIATES. IT MAY NOT BE DISCLOSED TO ANYONE OTHER THAN TYCO ELECTRONICS PERSONNEL, WITHOUT WRITTEN AUTHORIZATION FROM TYCO ELECTRONICS CORPORATION. (www.TE.com)										

PARTS SHALL COMPLY WITH TYCO ELECTRONICS 138-702 SPECIFICATION FOR HAZARDOUS SUBSTANCES UNLESS OTHERWISE SPECIFIED		
TOLERANCE TO BE ±0.025		
MATERIAL & FINISH: AS SUPPLIED		
DIMENSIONS IN INCHES		
NOTES:		
TE PART NO.:		3-6609128-0
SCALE: 1:1	DATE: 18APR94	DRAWING NUMBER:
DRW. BY: LJD	DRIG: TAM	6VM2
		REV. M

6VM2-M.cld