

CUSTOMER DRAWING		
CATALOG # 6VM1SC		
ECO #	APPRVD	DATE
23-196683	JB	02FEB23

**SAFETY ORGANIZATIONS**

THIS FILTER HAS BEEN FORMALLY RECOGNIZED, CERTIFIED OR APPROVED BY THE LISTED AGENCY. THEREFORE, ALL TEST/REQUIREMENTS SPECIFIED IN THE LATEST REVISION OF THE FOLLOWING AGENCY STANDARDS HAVE BEEN MET:

UL RECOGNIZED: UL 498  
 CSA CERTIFIED: CSA C22.2 No. 42

**OPERATING SPECIFICATIONS**

LINE VOLTAGE/CURRENT: 6 AMP, 120 VAC,  
 4 AMP/40°C, 250 VAC  
 LINE FREQUENCY: 47-440Hz

**RELIABILITY SPECIFICATIONS:**

STORAGE TEMPERATURE: -55°C TO +85°C  
 HUMIDITY: 21 DAYS @ 40°C 95% RH.  
 CURRENT OVERLOAD TEST: 6 TIMES I<sub>r</sub> FOR 8 SECONDS

**TEST SPECIFICATIONS:**

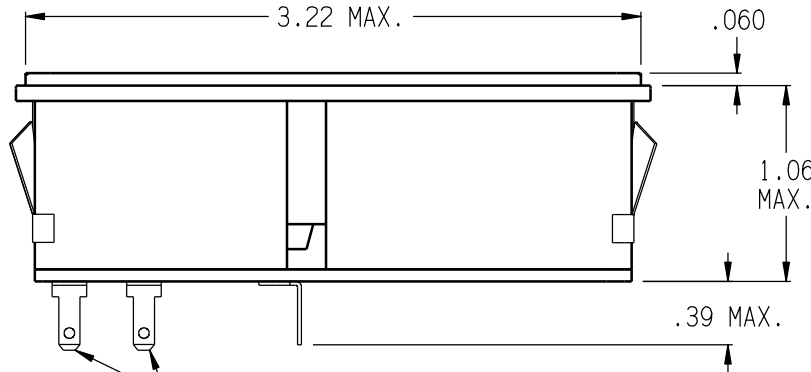
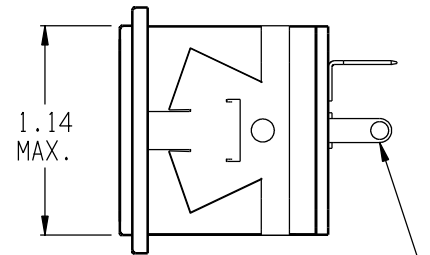
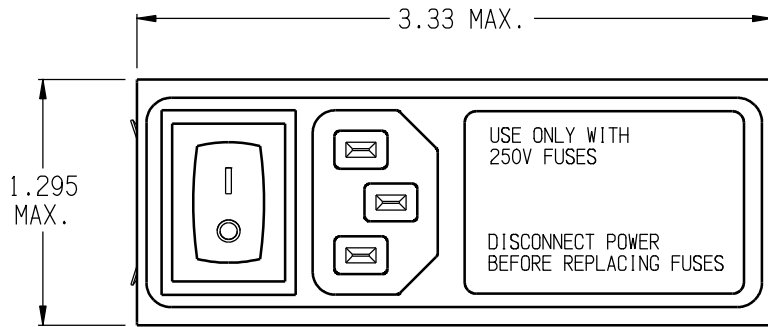
LINE/GROUND AND LINE/LINE: 6000Ω (MIN.) @ 100VDC,  
 INSULATION RESISTANCE: @ 20°C AND 50% RH

**RECOMMENDED RECEIVING INSPECTION HIPOT:**

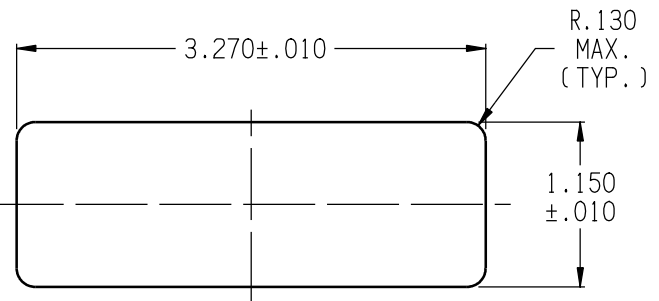
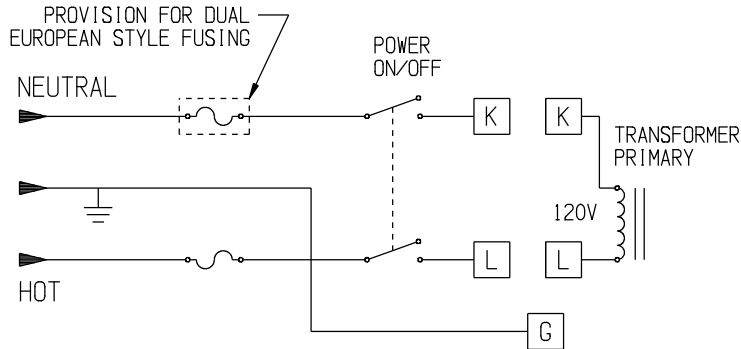
LINE TO GROUND: 1500 VAC FOR 1 MINUTE  
 LINE TO LINE: 1450 VDC FOR 1 MINUTE

**FILTER APPROVAL:**

THE BEST WAY TO SELECT AND QUALIFY A FILTER IS FOR YOUR ENGINEERING TO TEST THE UNIT IN YOUR EQUIPMENT.



OUTPUT TERMINALS  
 0.110 TABS  
 (.020 x .110 REF.)



RECOMMENDED PANEL CUTOUT  
 (PANEL THICKNESS 0.06 - 0.09)

50Ω - 50Ω (MINIMUM) INSERTION LOSS										PARTS SHALL COMPLY WITH TYCO ELECTRONICS 138-702 SPECIFICATION FOR HAZARDOUS SUBSTANCES				
FREQUENCY MHz	/	/	/	/	/	/	/	/	/	/	UNLESS OTHERWISE SPECIFIED TOLERANCE TO BE ±0.025 MATERIAL & FINISH: AS SUPPLIED DIMENSIONS IN INCHES			
COMMON dB	/	/	/	/	/	/	/	/	/	/				
DIFF. dB	/	/	/	/	/	/	/	/	/	/				
SHEET SIZE	THIRD ANGLE PROJECTION	THIS INFORMATION IS CONFIDENTIAL AND PROPRIETARY TO TYCO ELECTRONICS CORPORATION AND ITS WORLDWIDE SUBSIDIARIES AND AFFILIATES. IT MAY NOT BE DISCLOSED TO ANYONE OTHER THAN TYCO ELECTRONICS PERSONNEL, WITHOUT WRITTEN AUTHORIZATION FROM TYCO ELECTRONICS CORPORATION. (www.TE.com)									NOTES:		<b>POWER LINE FILTER</b> TE PART NO.: 2-6609128-9	
		6VM1SC-E.ckd									SCALE: 1:1	DATE: 18APR94	DRAWING NUMBER: 6VM1SC	REV. E
										DRW. BY: LJD	DRG: TAM			