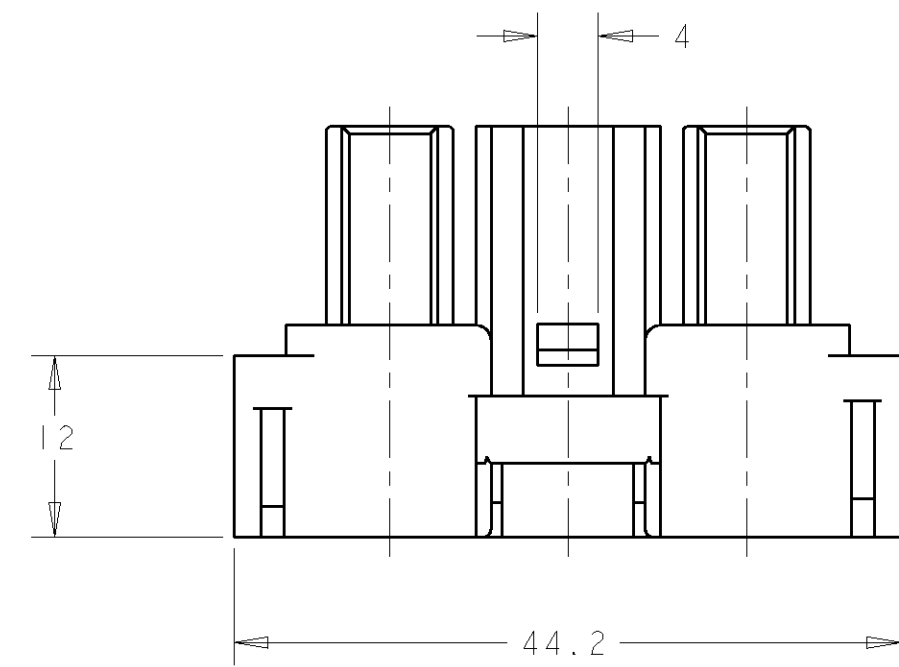
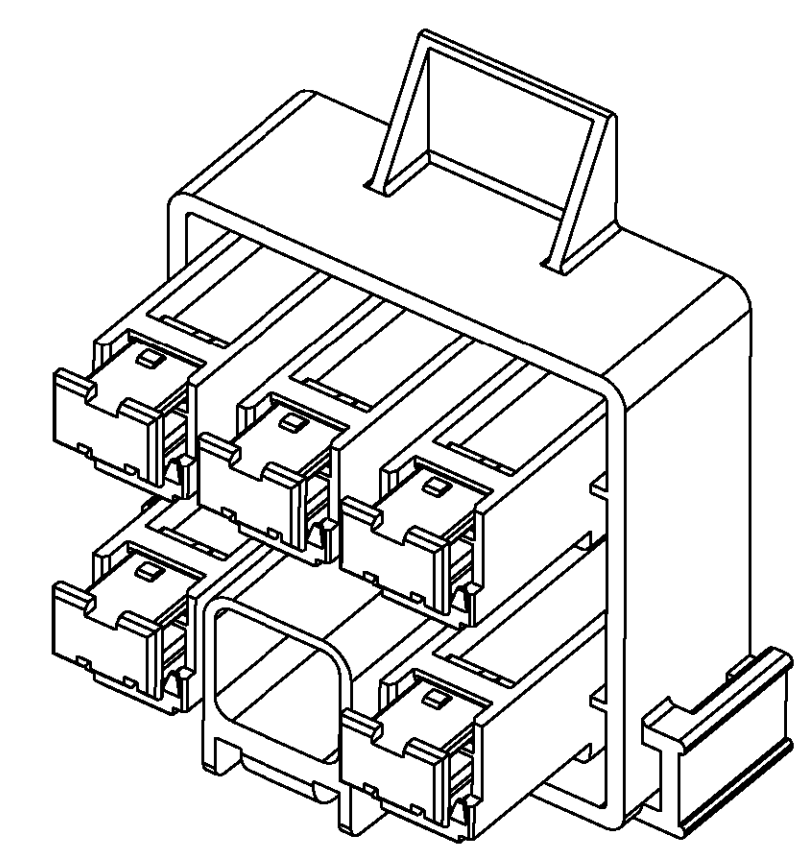
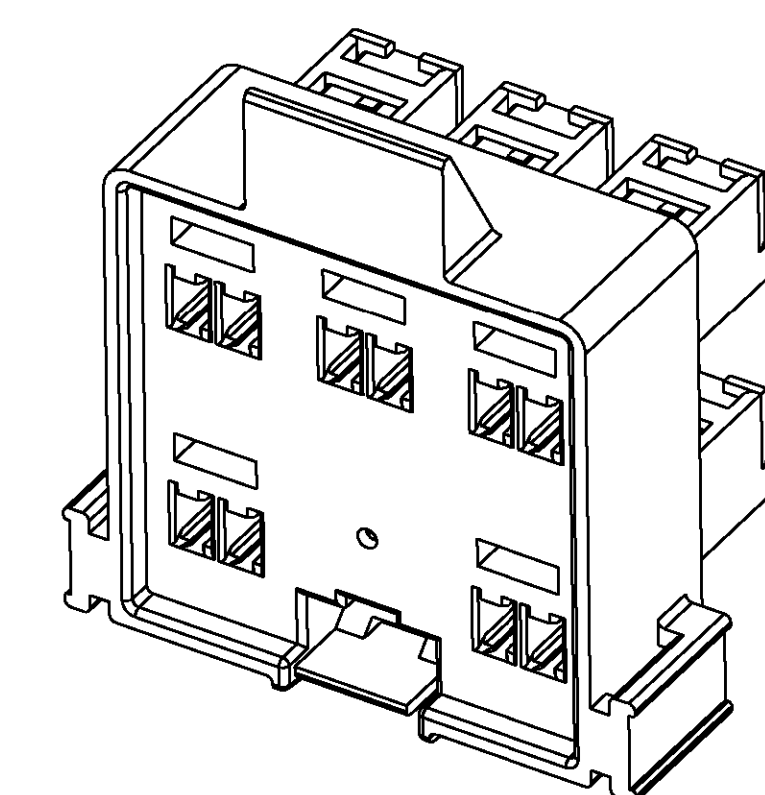
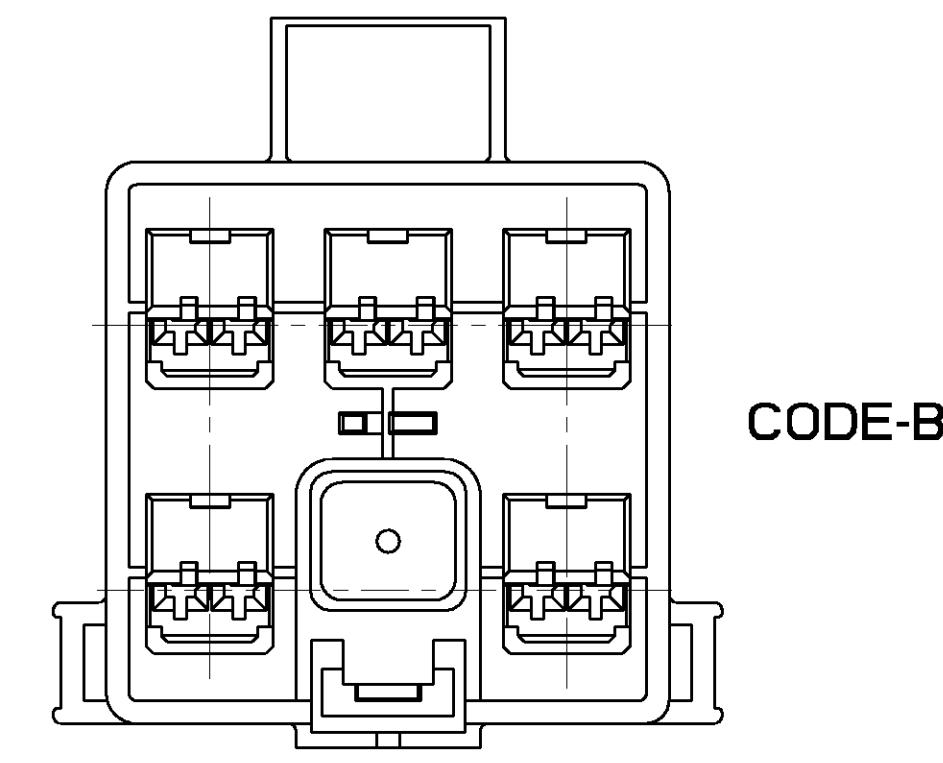
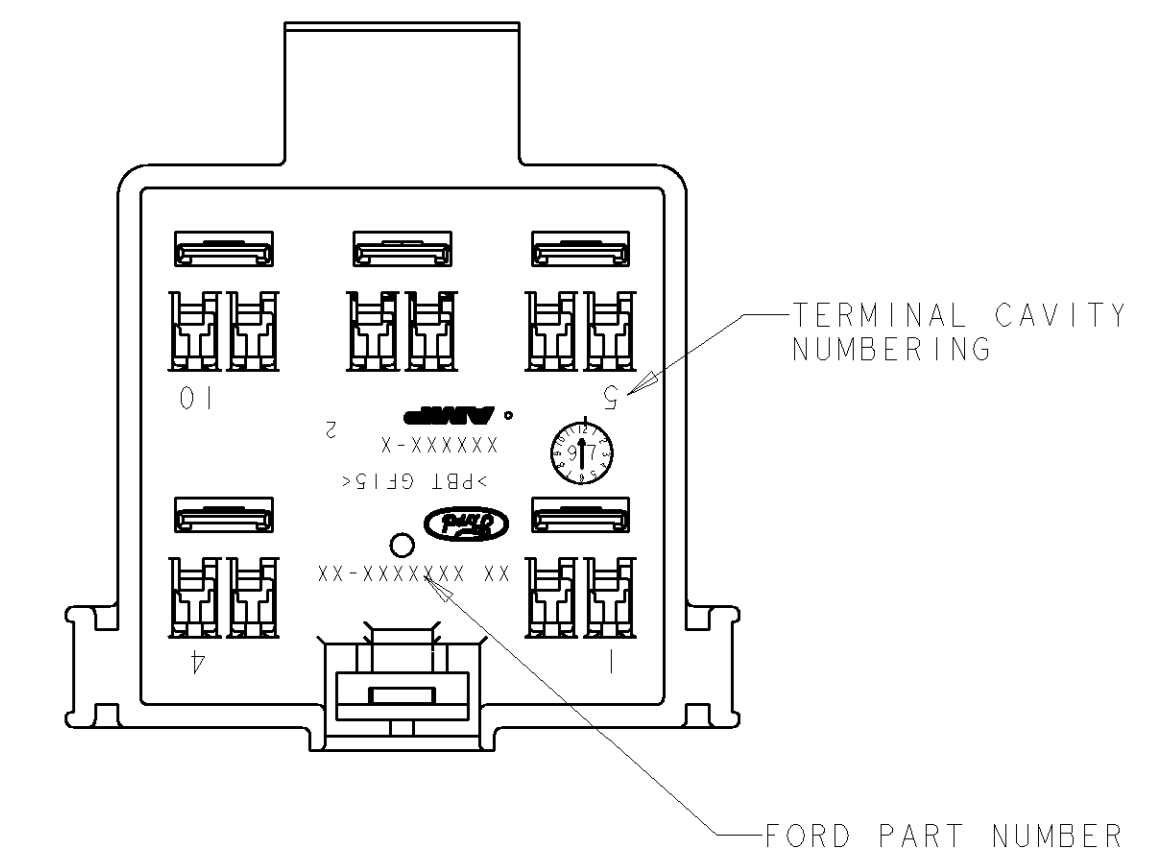
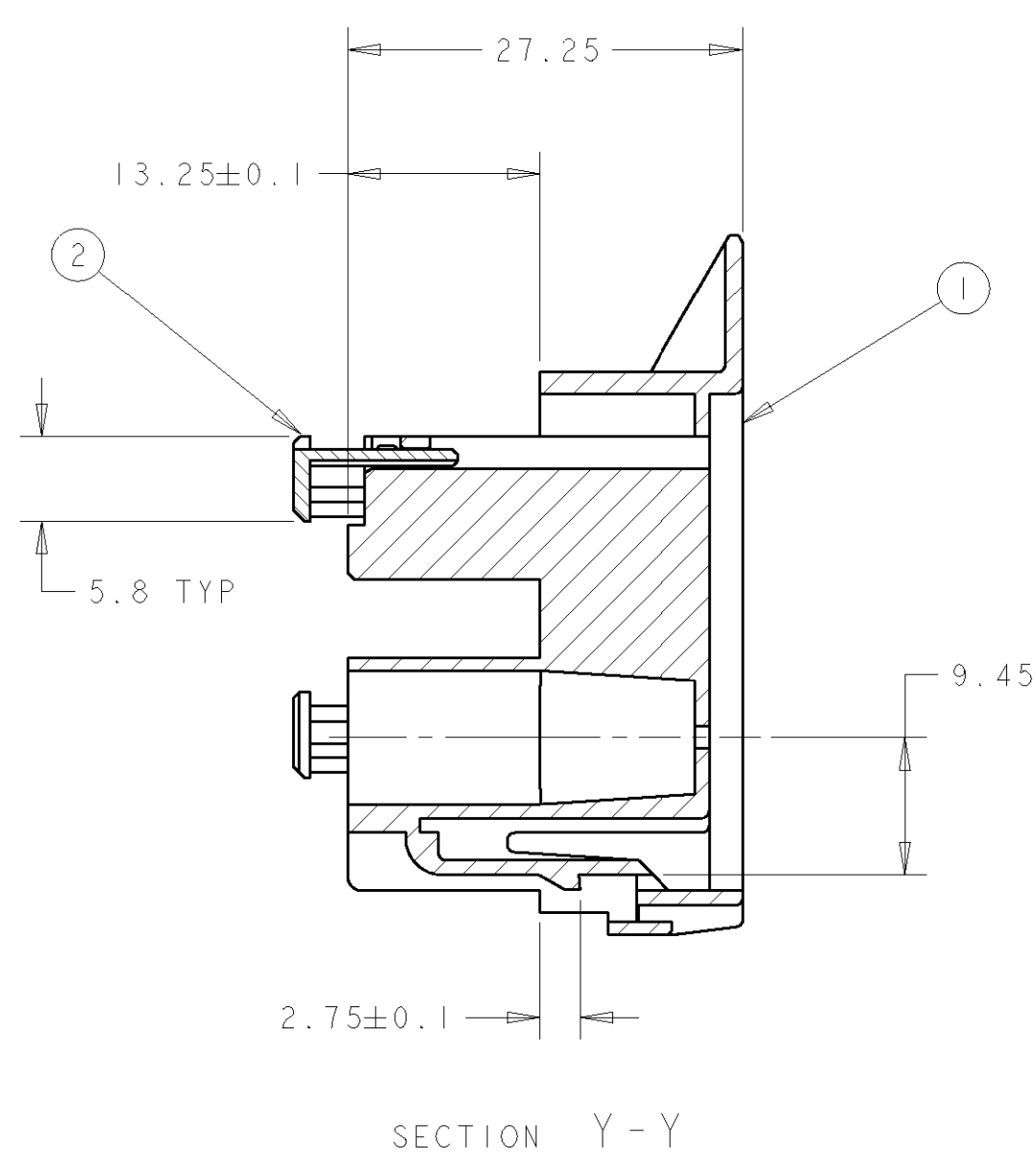
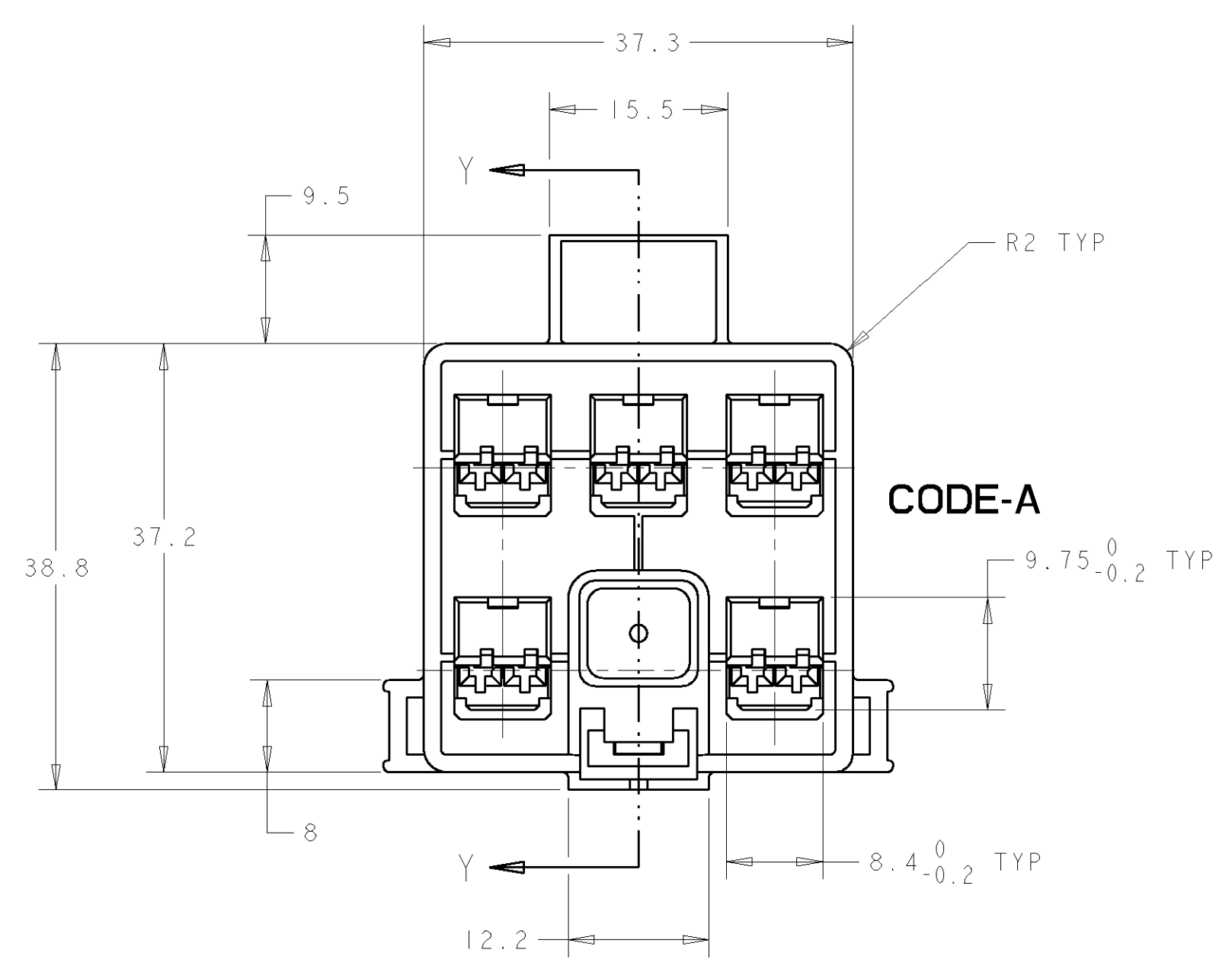


© COPYRIGHT 1997 BY AMP INCORPORATED. ALL RIGHTS RESERVED.

LOC		DIST		REVISIONS				
P	LTR	DESCRIPTION	DATE	DWN	APVD			
	0	EB00-0522-98	14-10-98	DRT	DH			
	A	EB00-0698-98	16-12-98	EAS	DH			
	B	EB00-0167-01	14-05-01	DRT	RB			
	C	EB00-0220-01	15-06-01	DRT	RB			
	D	EB00-0223-01	18-06-01	DRT	RB			
	E	EB00-0262-01	16-07-01	MH	BB			



MATES WITH	CODE	COLOUR	MATERIAL	DESCRIPTION	QTY	ITEM NO	FORD PART NUMBER	PART NUMBER
	-	RED	PBT GF15%	REC HOUSING TPA	5	2		
699345-1	B	BLACK	PBT GF15%	REC HOUSING	1	1	2M5T-14489-AAA	699351-2
699345-1 AND 699345-2	A	BLACK	PBT GF15%	REC HOUSING	1	1	98 AG14489-LKA	699351-1

THIS DRAWING IS A CONTROLLED DOCUMENT FOR AMP INCORPORATED. IT IS SUBJECT TO CHANGE AND THE CONTROLLING ENGINEERING ORGANIZATION SHOULD BE CONTACTED FOR THE LATEST REVISION.

DIMENSIONS IN m.m

THIRD ANGLE PROJECTION

MATERIAL SEE CHART

TOLERANCES UNLESS OTHERWISE SPECIFIED:
 LINEAR: ± 0.2
 ANGULAR: $\pm 1^\circ$

FINISH SEE CHART

DWN B. ROLLINS 16-Sep-97
 CHR D. HAYWOOD 16/9/97
 APVD M. WHELAN 16/9/97

PRODUCT SPEC -
 APPLICATION SPEC -
 WEIGHT -
 CUSTOMER DRAWING

AMP AMP of Great Britain Ltd, Stanmore, Middlesex, HA7 4RS.

NAME RECEPTACLE HOUSING ASSY

SIZE A2 CAGE CODE 00779 DRAWING NO 699351

SCALE 2:1 SHEET 1 OF 1 REV E