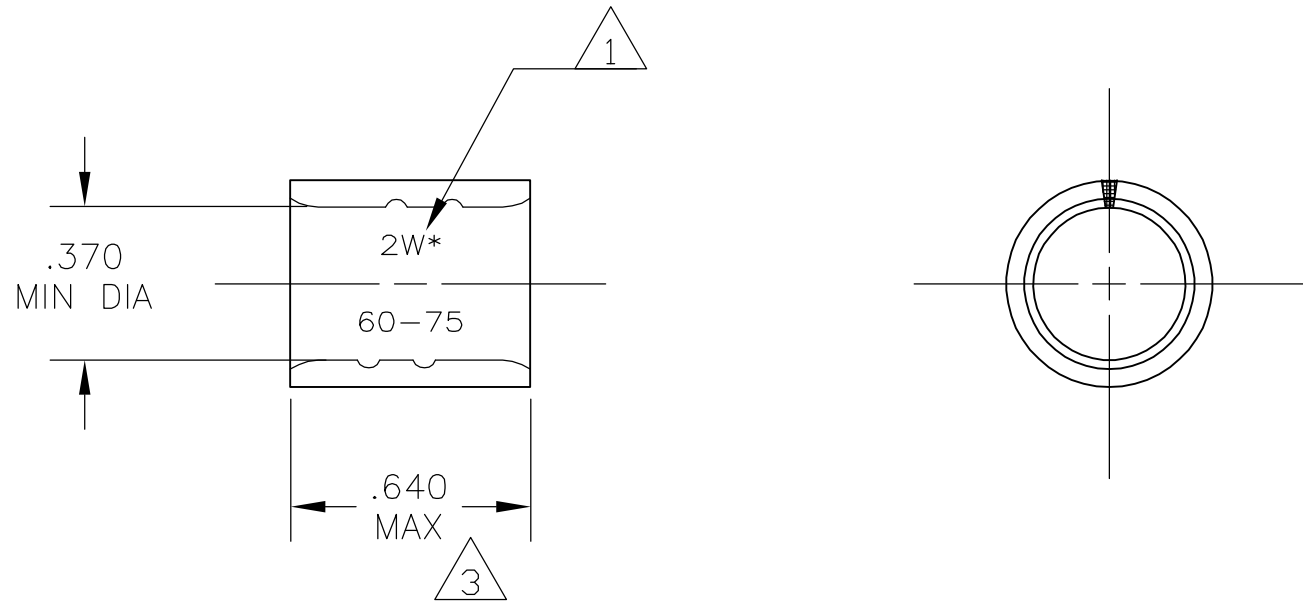
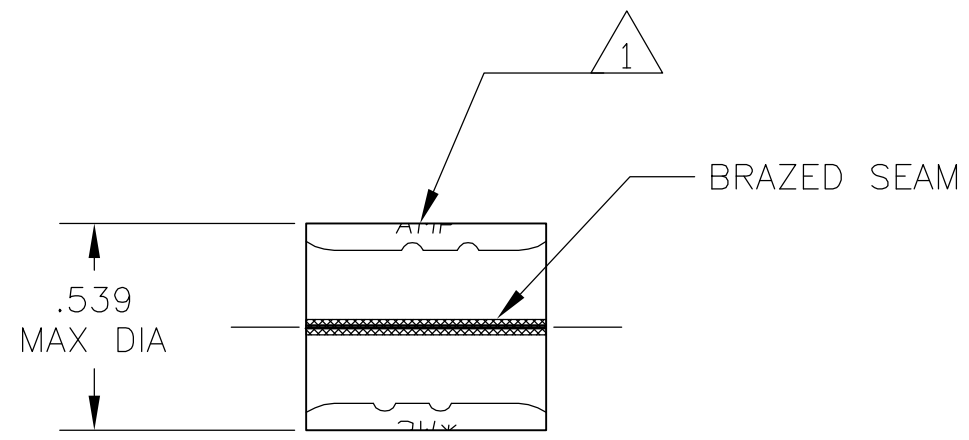


THIS DRAWING IS UNPUBLISHED. RELEASED FOR PUBLICATION  
 © COPYRIGHT - BY TYCO ELECTRONICS CORPORATION. ALL RIGHTS RESERVED.

LOC	DIST	REVISIONS					
		P	LTR	DESCRIPTION	DATE	DWN	APVD
G	14		1	PROPOSED	-	-	-

**AMP**  
WIRE RANGE

2 AWG  
SOLID OR STRANDED



- 1 STAMP AMP 2W\* 60-75 APPROX AS SHOWN
- 2 MATERIAL THK: 1.78 ±0.08 [.070 ±.003]
- 3 MAX LENGTH DOES NOT INCLUDE MANUFACTURING TABS.
- 4 CLEANED, UNPLATED
- 5 PRELIMINARY - NOT FOR PRODUCTION

4	5	696941-1
FINISH	PART NO	

<b>AMP INCORPORATED CUSTOMER SERVICE SYSTEMS</b>	
FOR ADDITIONAL PRODUCT INFORMATION OR COPIES OF DRAWINGS AND TECHNICAL DOCUMENTS	PRODUCT INFORMATION CENTER 1-800-522-6752
FOR APPLICATION TOOLING INFORMATION	TOOLING ASSISTANCE CENTER 1-800-722-1111
FOR ORDER ENTRY	1-800-526-5142

MAX RECOMMENDED OPERATING TEMPERATURE: 170° C
VOLTAGE RATING: N/A
CIRCULAR MIL AREA: 26.7-42.4mm² [52,600-83,700] SOLID OR STRANDED

THIS DRAWING IS A CONTROLLED DOCUMENT.	
DIMENSIONS: INCHES	TOLERANCES UNLESS OTHERWISE SPECIFIED:
	0 PLC ± -
	1 PLC ± -
	2 PLC ± .008
	3 PLC ± -
	4 PLC ± -
	ANGLES ± -
MATERIAL COPPER ASTM B-152	FINISH SEE TABLE

DWN JR RUTH	07FEB06
CHK MJ SPICER	07FEB06
APVD MJ SPICER	07FEB06
PRODUCT SPEC	-
APPLICATION SPEC	-
WEIGHT	-

<b>tyco</b> <b>Electronics</b>		Tyco Electronics Corporation Harrisburg, PA 17105-3608	
NAME SPLICE, PARALLEL, SOLISTRAND			
SIZE	CAGE CODE	DRAWING NO	RESTRICTED TO
A3	00779	C-696941	-
CUSTOMER DRAWING		SCALE 2:1	SHEET 1 OF 1
		REV 1	