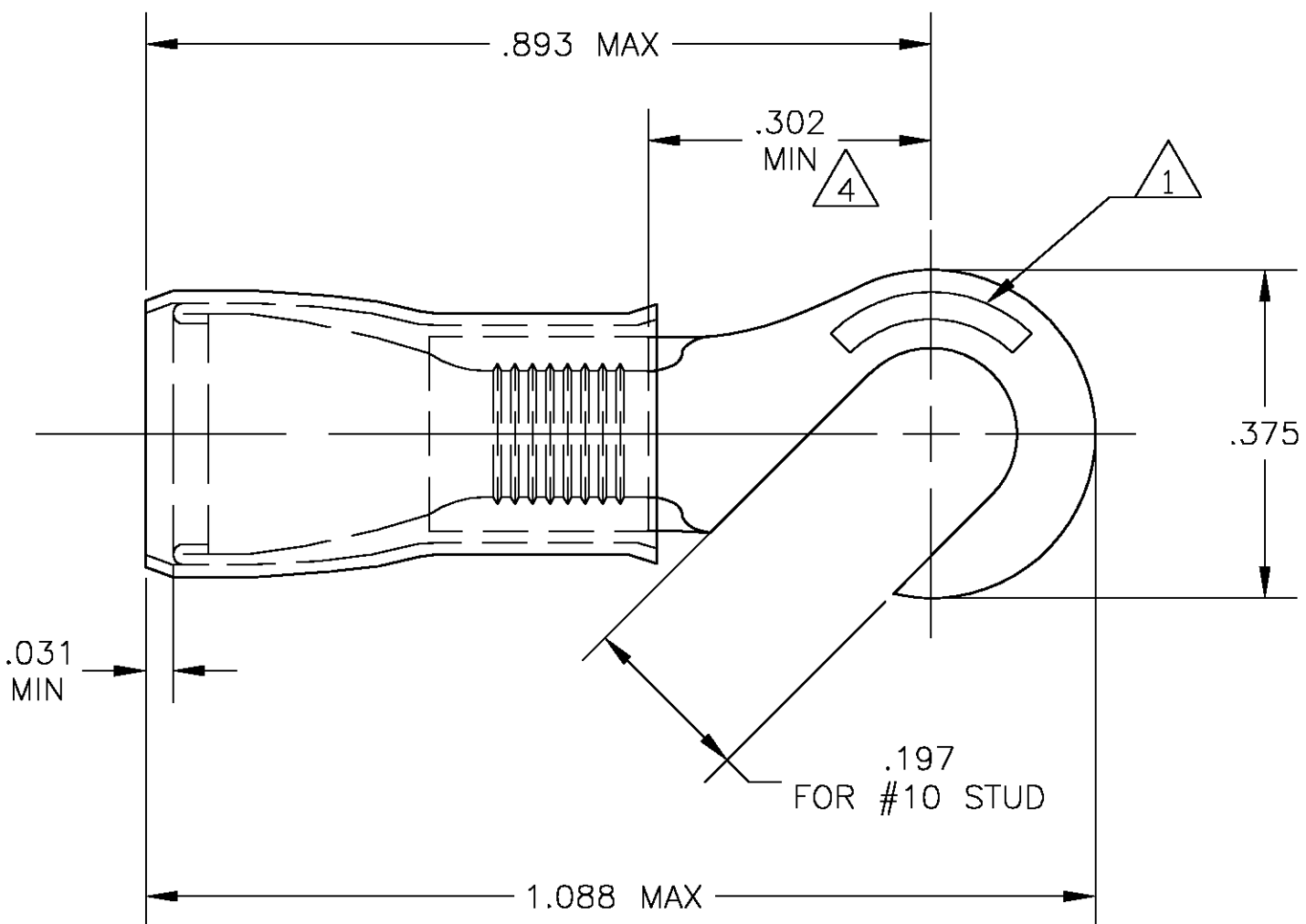


THIS DRAWING IS UNPUBLISHED. RELEASED FOR PUBLICATION
 © COPYRIGHT BY TYCO ELECTRONICS CORPORATION. ALL RIGHTS RESERVED.

LOC	DIST	REVISIONS			
P	LTR	DESCRIPTION	DATE	DWN	APVD
G	14	0	PROPOSED	-	-

AMP
WIRE RANGE

12-10 AWG
SOLID OR STRANDED



- 1 STAMP AMP 12-10*, LOCATE APPROX AS SHOWN.
- 2 BODY - COPPER PER ASTM B-152 SLEEVE - COPPER PER ASTM B-152 INSULATION - NYLON
- 3 BODY - TIN PLATE PER ASTM B-545 SLEEVE - TIN PLATE PER ASTM B-545 INSULATION - COLOR, YELLOW
- 4 DIMENSION APPLIES FROM EDGE OF METAL WIRE BBL TO CENTER OF STUD.
- 5 WIRE INSULATION DIA .150-.250
- 6 TONGUE MATERIAL THK .042 MAX
- 7 PRELIMINARY - NOT FOR PRODUCTION

500	LOOSE PC	7 696715-1
QTY	DESCRIPTION	PART NO

AMP INCORPORATED
CUSTOMER SERVICE SYSTEMS

FOR ADDITIONAL PRODUCT INFORMATION OR COPIES OF DRAWINGS AND TECHNICAL DOCUMENTS
 PRODUCT INFORMATION CENTER
 1-800-522-6752

FOR APPLICATION TOOLING ASSISTANCE CENTER
 TOOLING INFORMATION
 1-800-722-1111

FOR ORDER ENTRY
 1-800-526-5142

MAX RECOMMENDED OPERATING TEMPERATURE:
105°C

VOLTAGE RATING:
300V MAX

CIRCULAR MIL AREA:
2.62-6.64mm² [5180-13100]
SOLID OR STRANDED

THIS DRAWING IS A CONTROLLED DOCUMENT.

DIMENSIONS: INCHES

TOLERANCES UNLESS OTHERWISE SPECIFIED:

0 PLC	± -
1 PLC	± -
2 PLC	± -
3 PLC	± .008
4 PLC	± -
ANGLES	± -

MATERIAL: - 2

FINISH: - 3

DWN: jr_ruth 06MAY04
 CHK: T MICHELUTTI 06MAY04
 APVD: T MICHELUTTI 06MAY04

tyco Electronics Tyco Electronics Corporation
 Harrisburg, Pa 17105-3608

NAME: TERMINAL, HOOK, P.I.D.G., WIRE SIZE 12-10 AWG

SIZE: A3 CAGE CODE: 00779 DRAWING NO: C-696715 RESTRICTED TO: -

WEIGHT: -

CUSTOMER DRAWING SCALE: 5:1 SHEET: 1 OF 1 REV: 0