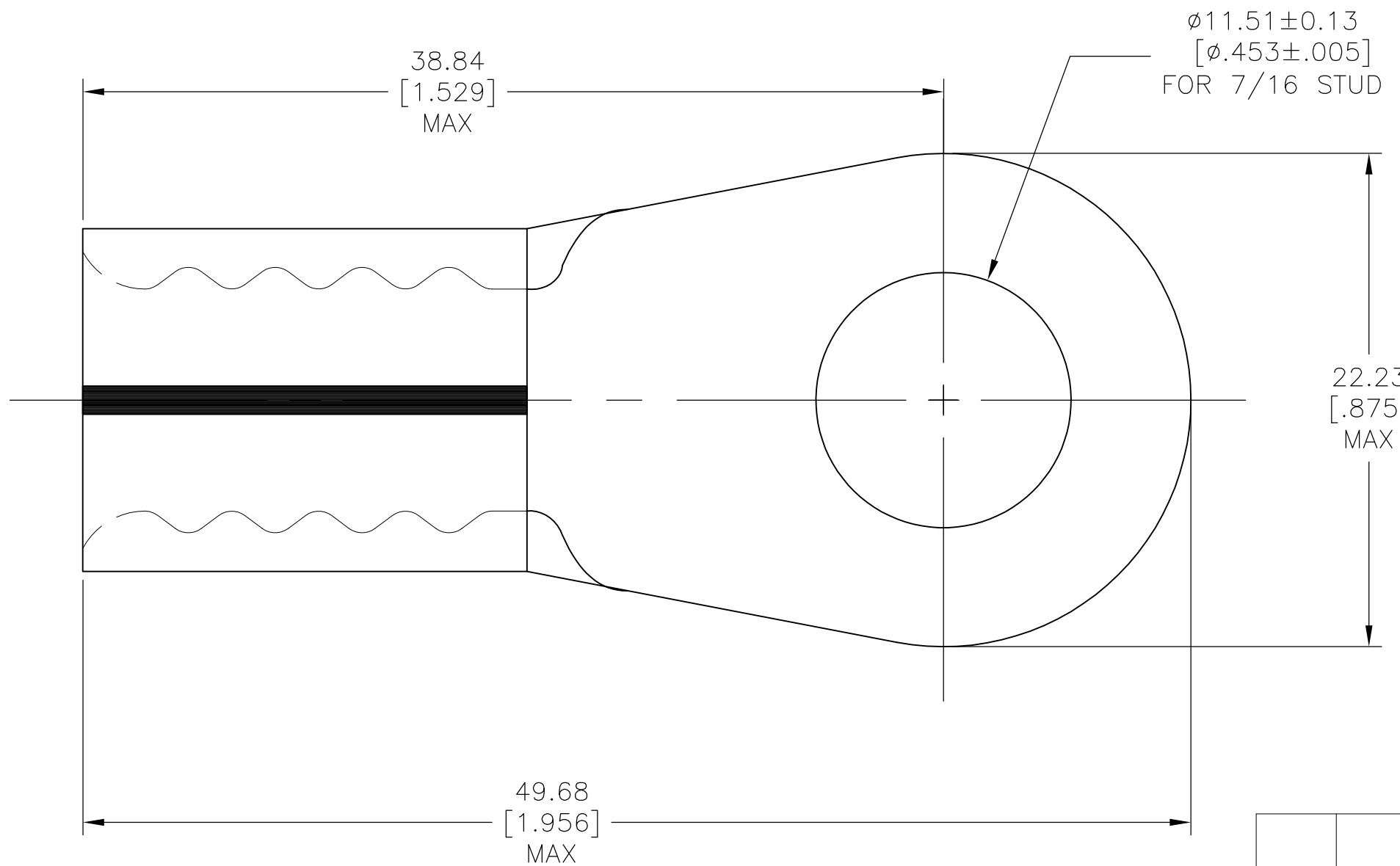


THIS DRAWING IS UNPUBLISHED. RELEASED FOR PUBLICATION
 © COPYRIGHT - By - ALL RIGHTS RESERVED.

LOC	DIST	REVISIONS					
G	02	P	LTR	DESCRIPTION	DATE	DWN	APVD
		A1		REVISED PER ECO-11-024755	13DEC11	KH	DR



- 1 WIRE RANGE IS FOR 1/0 AWG STANDARD WIRE. CROSS SECTIONAL AREA RANGE: 83,700-119,500 CMA, STRANDED WIRE.
- 2 THE TONGUE THK IS 1.77±0.076[.070±.003]
- 3 RECOMMENDED OPERATING TEMP. -55°C TO +200°C FOR HEAT SHRINK TUBING.

1	1-1196717-9	HIGH AND LOW TEMPERATURE CROSS LINKED FLUOROPOLYMER HEAT SHRINK TUBING 15.875[.625] MIN IDX44.45±3.05[1.75±.12] RT555-5/8-0-SP	-
1	36918-1	TERMINAL BODY: COPPER PER ASTM B-152 ANNEALED FINISH: NICKEL PLATE, .000300 MIN THK PER SAE AMS QQ-N-290	1
-1	PART NO	DESCRIPTION	ITEM NO

THIS DRAWING IS A CONTROLLED DOCUMENT.		DWN RAGHAVENDRA 13SEP11	TE Connectivity	
DIMENSIONS: mm [INCHES]		CHK ROHDE DANIEL 13SEP11	NAME	
TOLERANCES UNLESS OTHERWISE SPECIFIED:		APVD ROHDE DANIEL 13SEP11	HEAT RESISTANT TERMINAL KIT	
0 PLC ± - 1 PLC ± - 2 PLC ± - 3 PLC ± - 4 PLC ± - ANGLES ± 1°		PRODUCT SPEC -	SIZE A3	CAGE CODE 00779
MATERIAL -	FINISH -	APPLICATION SPEC -	DRAWING NO C-696668	RESTRICTED TO -
CUSTOMER DRAWING			SCALE 4:1	SHEET 1 OF 1
			REV A1	