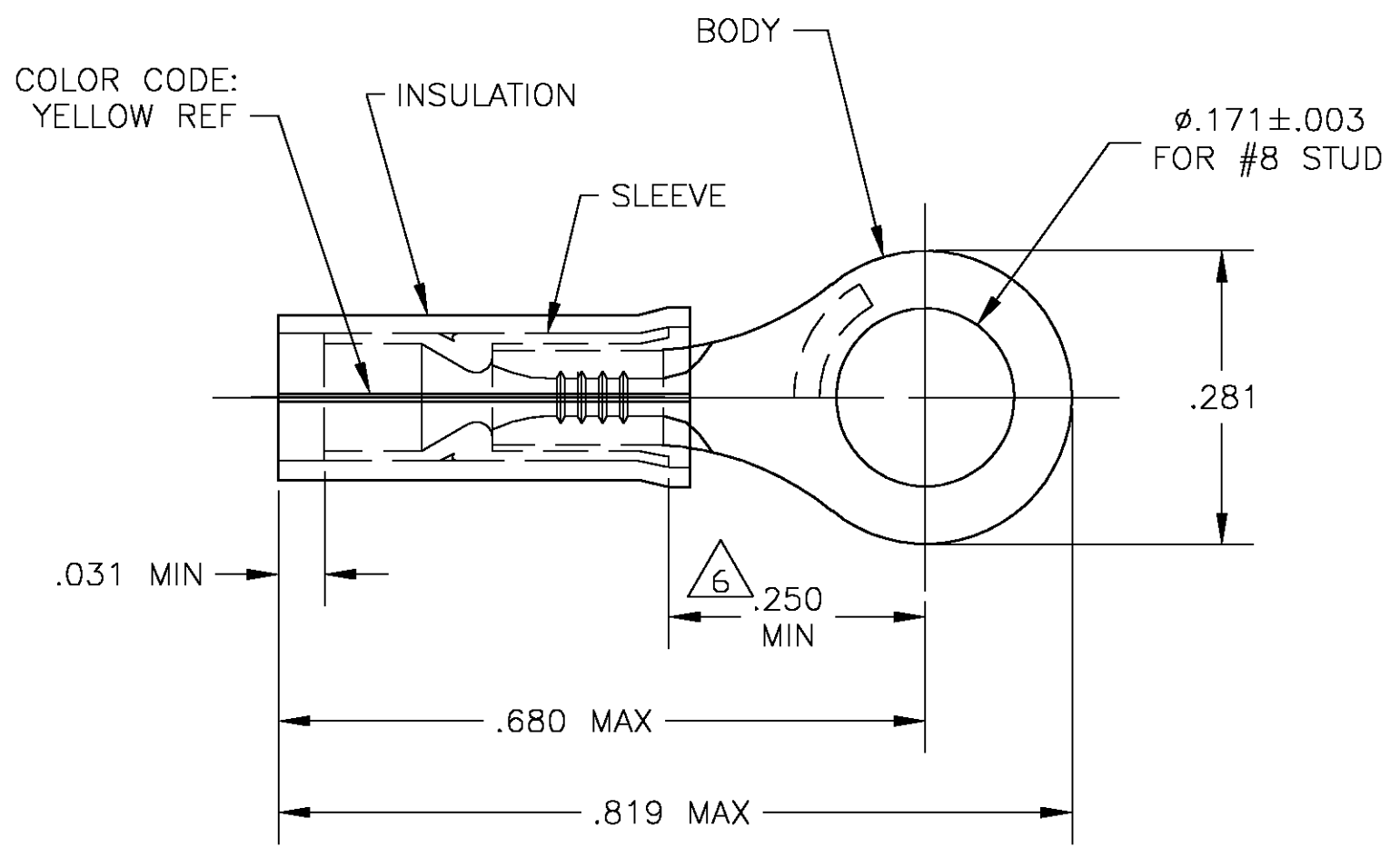


THIS DRAWING IS UNPUBLISHED. RELEASED FOR PUBLICATION
 © COPYRIGHT BY TYCO ELECTRONICS CORPORATION. ALL RIGHTS RESERVED.

LOC	DIST	REVISIONS			
P	LTR	DESCRIPTION	DATE	DWN	APVD
G	02	0	PROPOSED	-	-

AMP
WIRE RANGE

26-24 AWG
STRANDED



- 1 STAMP AMP 26-24
LOCATE APPROX AS SHOWN
- 2 WIRE INSULATION DIA: .032 / .082
- 3 TONGUE MATERIAL THK .027±.001
- △ 4 BODY & SLEEVE: COPPER PER ASTM B152
INSULATION: PVF2, NATURAL
- △ 5 BODY & SLEEVE PLATING:
TIN \ LEAD (60-40) PLATE PER
SAE-AMS-P-81728
- △ 6 DIMENSION APPLIES FROM EDGE OF METAL
WIRE BARREL TO CENTER OF STUD HOLE.
- △ 7 PRELIMINARY - NOT FOR PRODUCTION

1000	LOOSE PIECE	△ 7 696400-1
QTY	PACKAGE TYPE	PART NO

AMP INCORPORATED
CUSTOMER SERVICE SYSTEMS

FOR ADDITIONAL PRODUCT INFORMATION OR COPIES OF DRAWINGS AND TECHNICAL DOCUMENTS
 PRODUCT INFORMATION CENTER
 1-800-522-6752

FOR APPLICATION TOOLING INFORMATION
 TOOLING ASSISTANCE CENTER
 1-800-722-1111

FOR ORDER ENTRY
 1-800-526-5142

MAX RECOMMENDED OPERATING TEMPERATURE:
150° C

VOLTAGE RATING:
N/A

CIRCULAR MIL AREA:
0.12-0.24mm² [238-475]
STRANDED

THIS DRAWING IS A CONTROLLED DOCUMENT.

DIMENSIONS: INCHES

TOLERANCES UNLESS OTHERWISE SPECIFIED:

0 PLC	± -
1 PLC	± -
2 PLC	± -
3 PLC	± .008
4 PLC	± -
ANGLES	± 5'

MATERIAL: - △ 4

FINISH: - △ 5

DWN jr_ruth 16SEP04	Tyco Electronics Corporation Harrisburg, Pa 17105-3608	
CHK T MICHELUTTI 16SEP04	NAME TERMINAL, RING TONGUE, P.I.D.G., WIRE SIZE : 26-24 AWG	
APVD T MICHELUTTI 16SEP04	SIZE A3	CAGE CODE 00779
PRODUCT SPEC	DRAWING NO C-696400	RESTRICTED TO -
APPLICATION SPEC	SCALE 1:1	SHEET 1 OF 1
WEIGHT -	CUSTOMER DRAWING	REV 0