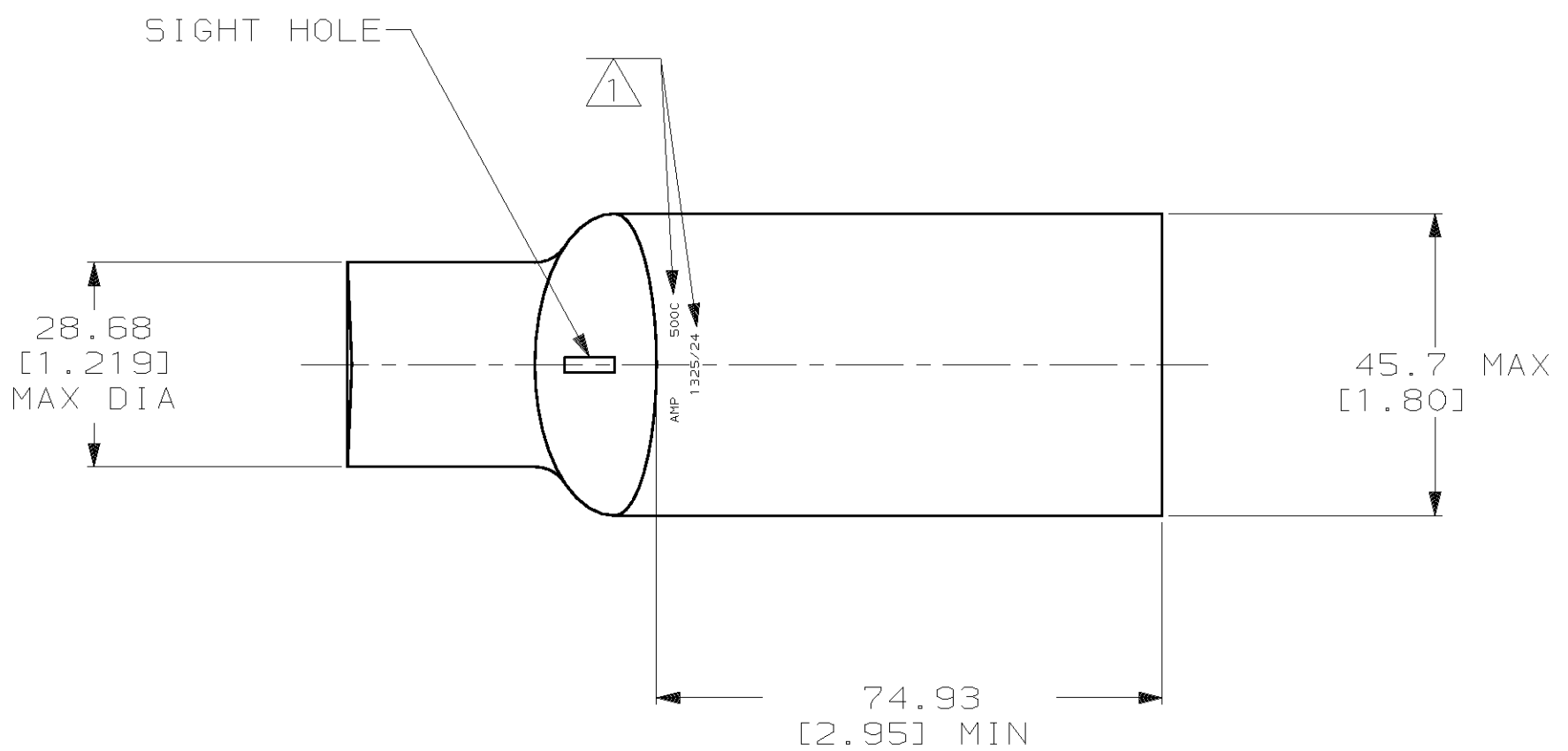


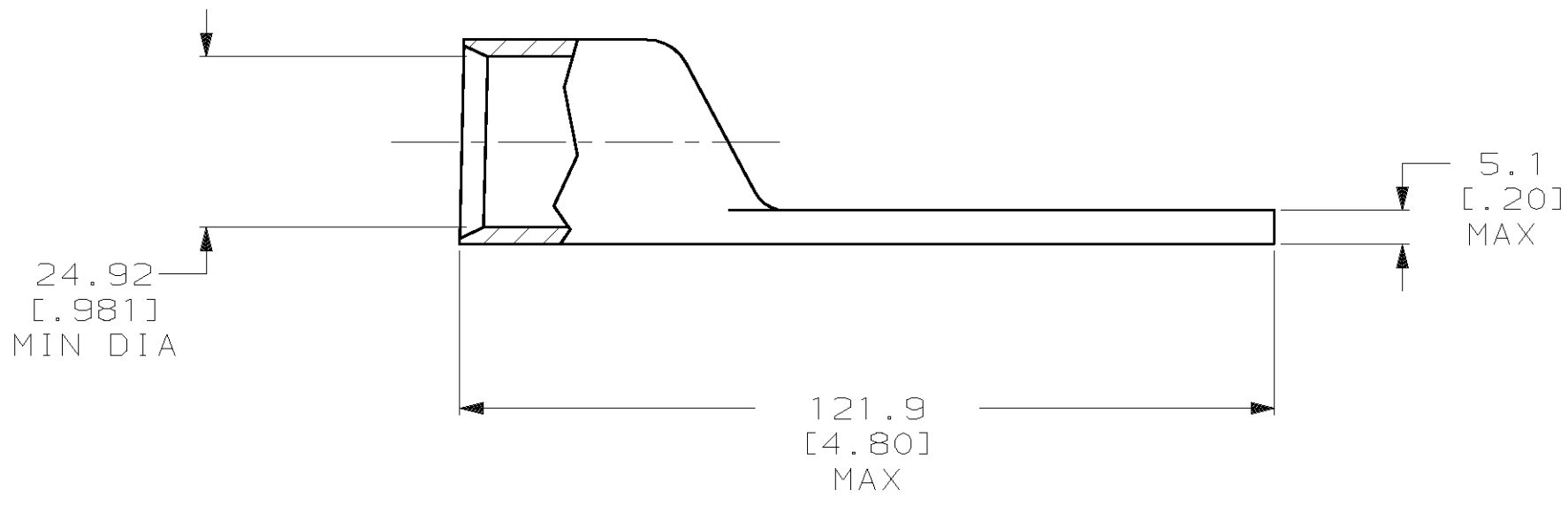
THIS DRAWING IS UNPUBLISHED. RELEASED FOR PUBLICATION ,19 .
 © COPYRIGHT 19 BY AMP INCORPORATED. ALL INTERNATIONAL RIGHTS RESERVED.

LOC	DIST	P	F	REVISIONS		DATE	APPD
G	86			ZONE	LTR	DESCRIPTION	
				B		REV PER 0G3A-0561-01	09OCT02 JS MS

METRIC
 DIMENSIONS LISTED IN mm [INCHES]



- 1 STAMP APPROX IN AREAS SHOWN
- 2 CLEANED, UNPLATED
- 3 PREPRODUCTION - FASR REQ



AMP INCORPORATED CUSTOMER SERVICE SYSTEMS		MAX RECOMMENDED OPERATING TEMPERATURE: 170°C MAX	DO NOT SCALE PRINT. UNLESS SPECIFIED DIMENSIONS IN mm [INCHES] TOLERANCES ON: 2 PLC DEC ± - 3 PLC DEC ± - ANGLES ± -	DR 24JAN01 JR RUTH CHK 24JAN01 MS FEHER APPD 24JAN01 M SPICER APPD 24JAN01 M SPICER PRODUCT SPEC -	2 FINISH	3 696282-1 PART NO
FOR ADDITIONAL PRODUCT INFORMATION OR COPIES OF DRAWINGS AND TECHNICAL DOCUMENTS	PRODUCT INFORMATION CENTER 1-800-522-6752	VOLTAGE RATING: NOT APPLICABLE	MATERIAL COPPER PER ASTM B-75 ANNEALED	AMP Incorporated Harrisburg, PA 17105-3608	NAME TERMINAL, AMPOWER™ WIRE SIZE: 500 MCM	
FOR APPLICATION TOOLING INFORMATION	TOOLING ASSISTANCE CENTER 1-800-722-1111	CIRCULAR MIL AREA: 228.02-278.69mm² [450-550] MCM STRANDED	FINISH SEE TABLE	APPLICATION SPEC -	SIZE C 00779	DRAWING NO C-696282
FOR ORDER ENTRY	1-800-526-5142	THIS DRAWING IS A CONTROLLED DOCUMENT FOR AMP INCORPORATED. IT IS SUBJECT TO CHANGE AND THE CONTROLLING ENGINEERING ORGANIZATION SHOULD BE CONTACTED FOR THE LATEST REVISION.	WEIGHT .461 LBS.	SCALE 1:1	SHEET 1 OF 1	