

4

3

2

1

THIS DRAWING IS UNPUBLISHED.

RELEASED FOR PUBLICATION

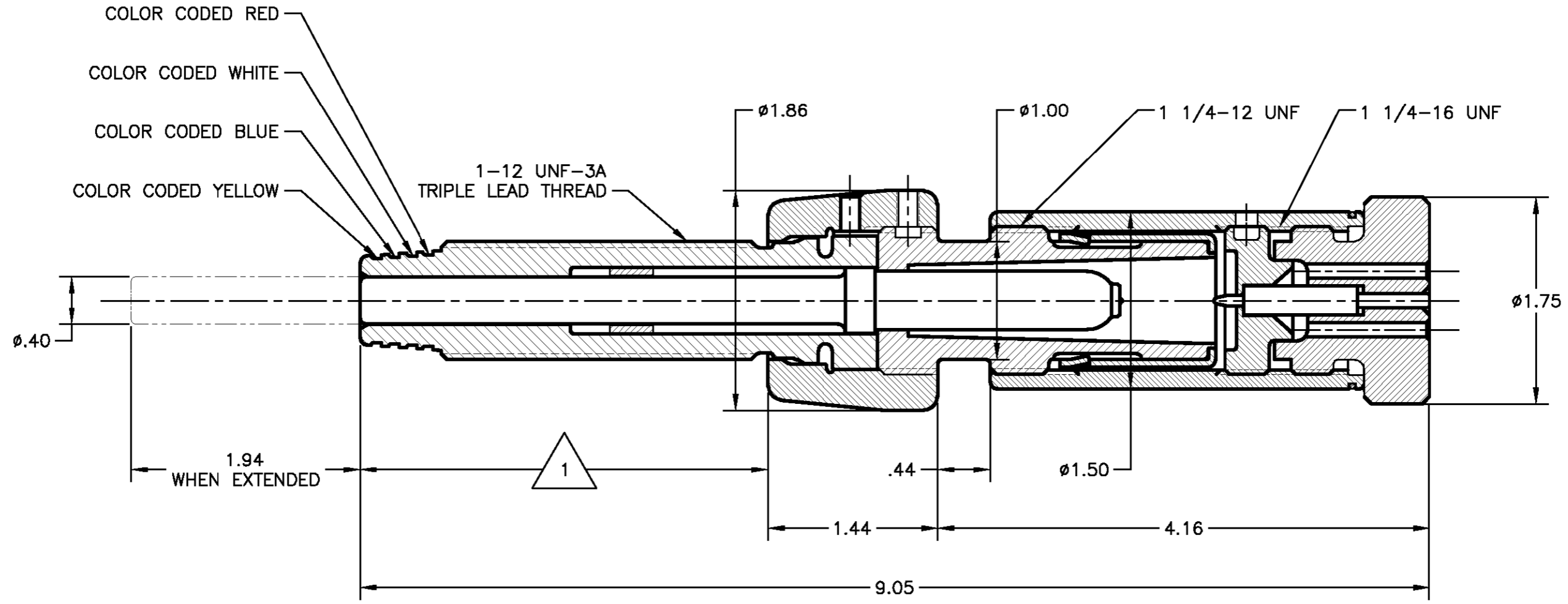
© COPYRIGHT

BY TYCO ELECTRONICS CORPORATION.

ALL RIGHTS RESERVED.

LOC	DIST	REVISIONS					
GA	1	P	LTR	DESCRIPTION	DATE	DWN	APVD
		A		REDRAWN PER EC LC20-0046-03	03 FEB 03	CD	BJ

△ 1 MUST HAVE .06 MOVEMENT.



69612-0
PART NO

THIS DRAWING IS A CONTROLLED DOCUMENT.		DWN C DAVID 03 FEB 03	 Tyco Electronics Corporation Markham, ON L3R 1E1
DIMENSIONS: INCHES		CHK D LADIN 21 FEB 03	
		APVD B JOHNSON 24 FEB 03	NAME POWER UNIT ASSEMBLY, FOR AMPACT TOOLS 69437 & 69611
TOLERANCES UNLESS OTHERWISE SPECIFIED:		PRODUCT SPEC	RESTRICTED TO
MATERIAL		APPLICATION SPEC	SIZE A3
FINISH		WEIGHT	CAGE CODE 00779
		CUSTOMER DRAWING	DRAWING NO C-69612
		SCALE 1:1	SHEET 1 OF 1
			REV A