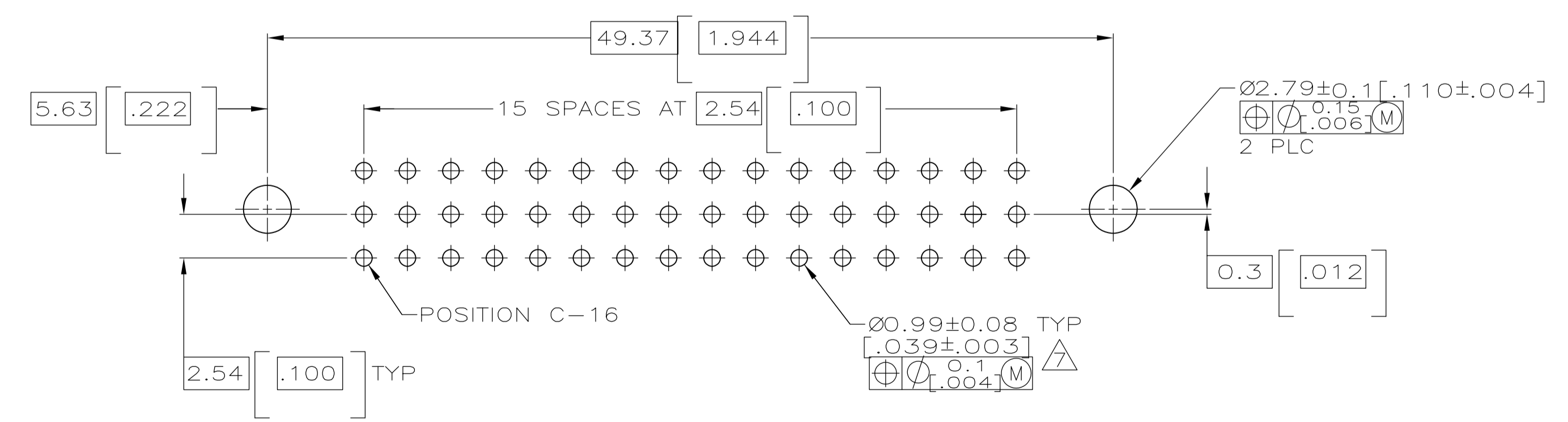
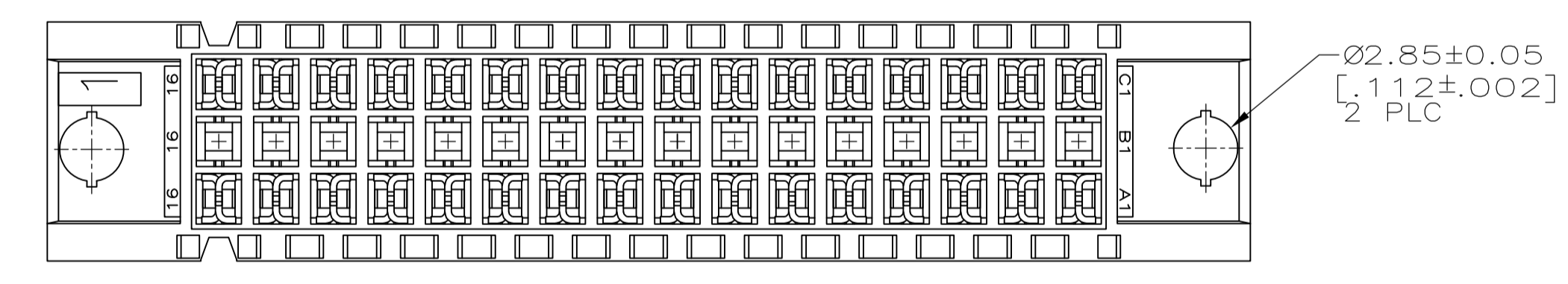
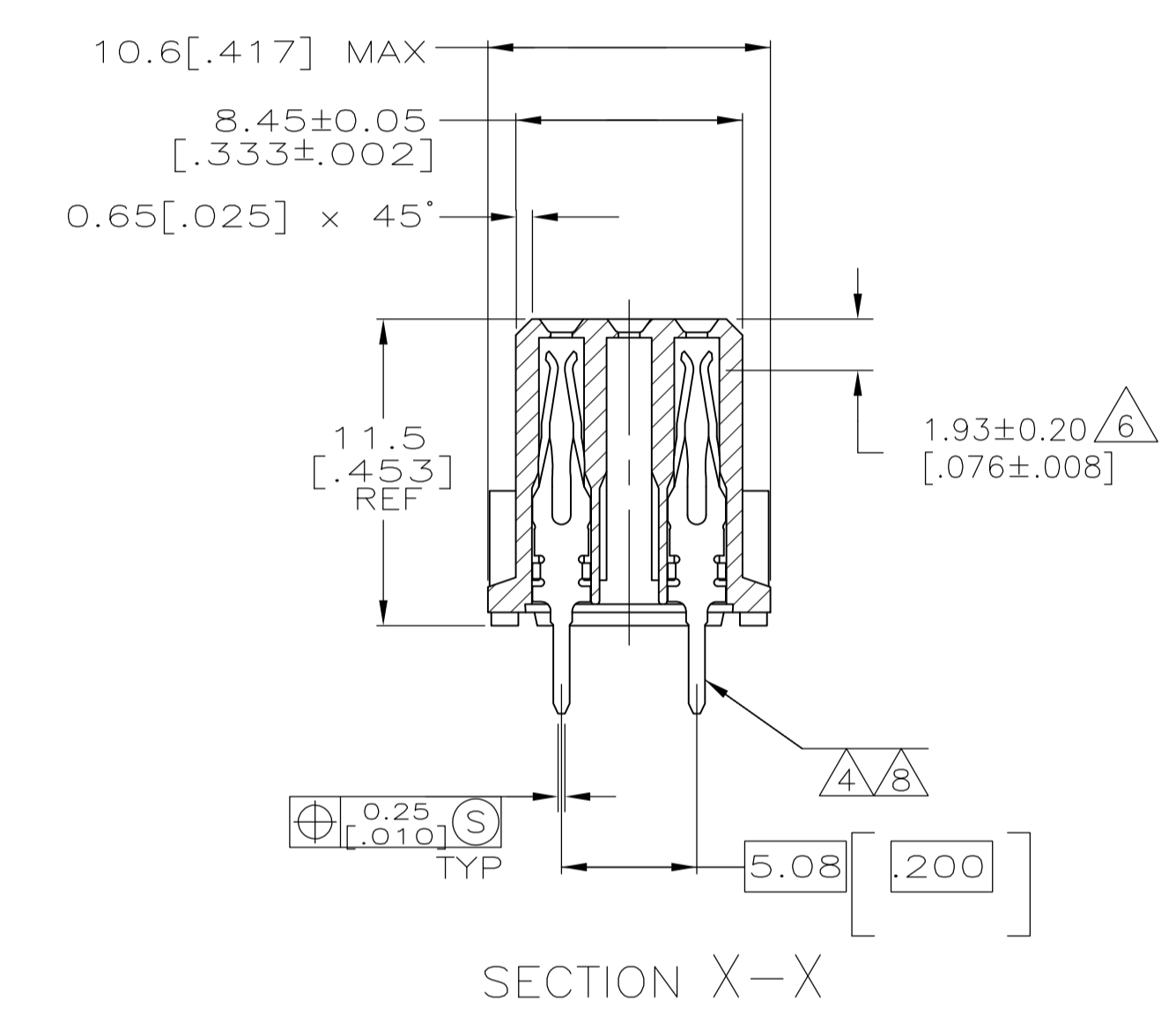
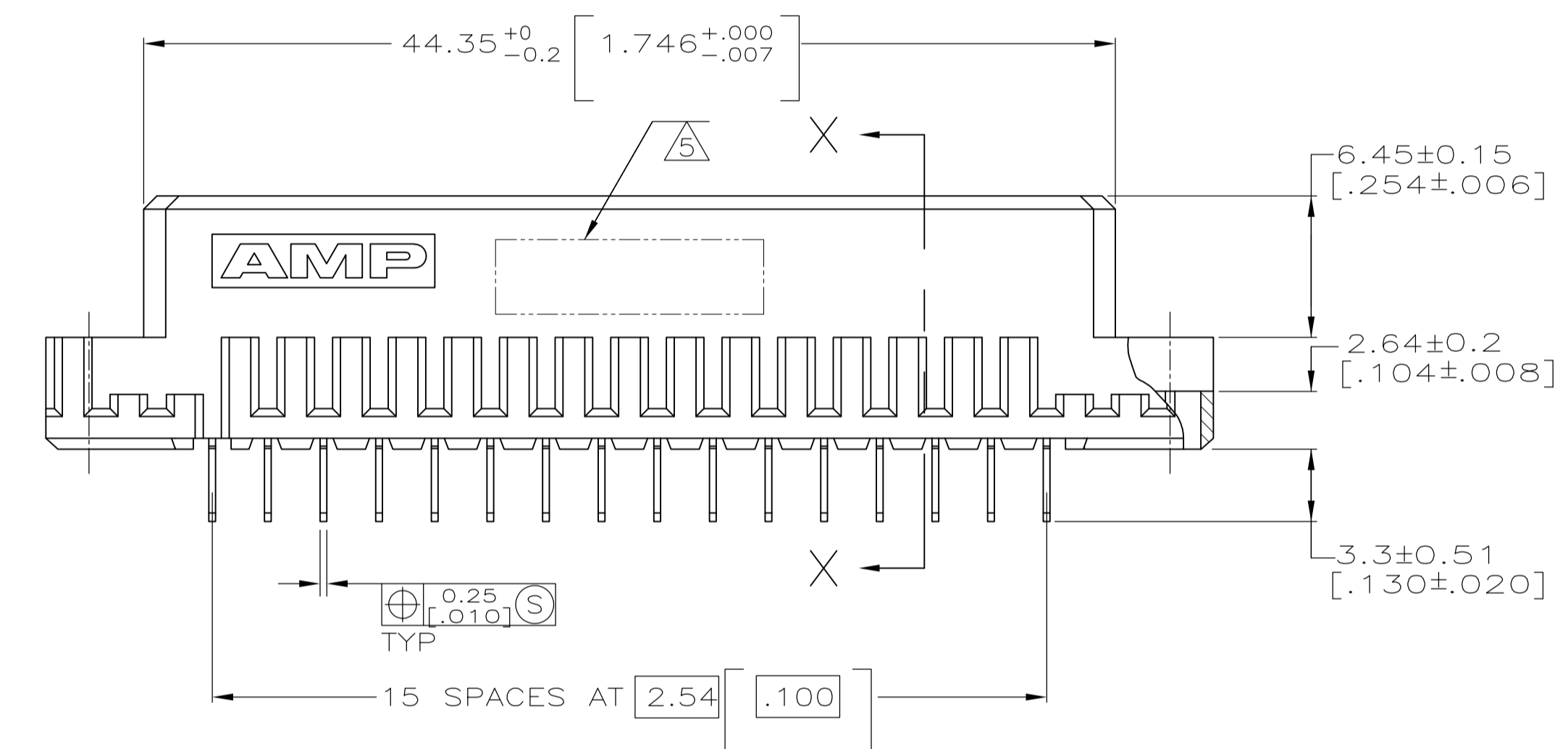
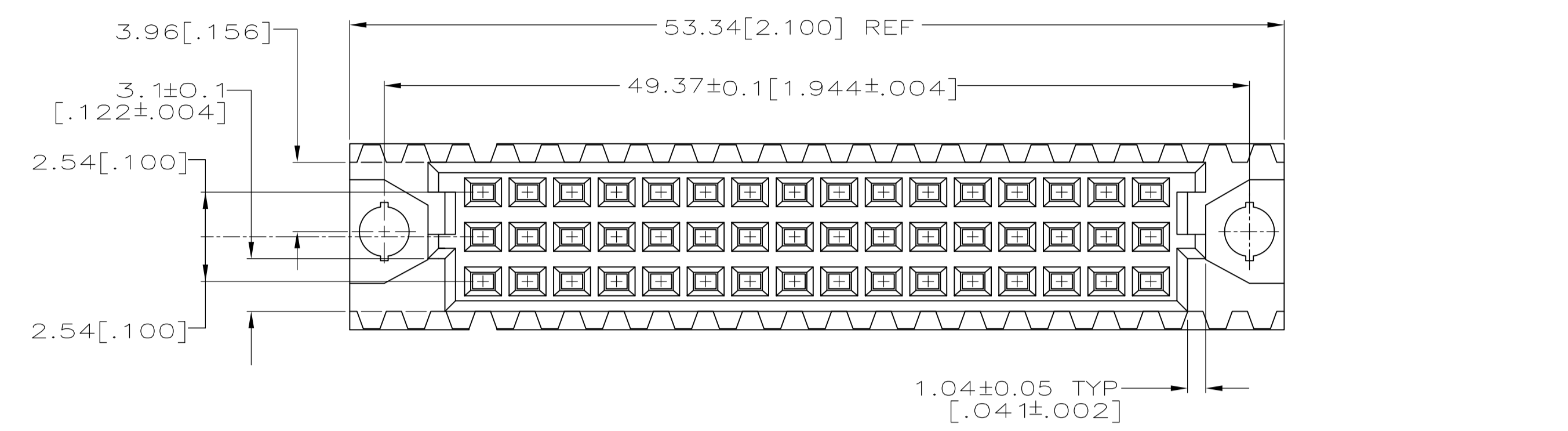


- 1 DIMENSIONS IN BRACKETS ARE IN INCHES.
- 2 HOUSING MATERIAL: GLASS-FILLED POLYESTER. COLOR: GREY.
- 3 CONTACT MATERIAL: PHOSPHOR BRONZE.
- 4 CONTACT FINISH: DIN 41612 CLASS 2 IN CONTACT AREA. 0.00127 [.000050] NICKEL UNDERPLATE ALL OVER. TIN ON POSTS.
- 5 PART NUMBER, DATE CODE IDENTIFICATION, CSA LOGO IN THIS APPROXIMATE AREA.
- 6 POINT OF MEASUREMENT FOR GOLD.
- 7 RECOMMENDED HOLE SIZE FOR MANUAL APPLICATION OF CONNECTOR ONTO PC BOARD.
- 8 CONTACT FINISH: 0.000076 [.000003] MIN GOLD IN CONTACT AREA. 0.00127 [.000050] NICKEL UNDERPLATE ALL OVER. TIN ON POSTS. CONTACT AREA LUBRICATED WITH BELLCORE APPROVED LUBRICANT, TECHNICAL REFERENCE GR-1217-CORE, ISSUE 1, NOVEMBER 1995.
- 9 HOUSING MATERIAL: HIGH TEMP GLASS-FILLED POLYMER.



OBSOLETE	1/2	4	1 THRU 16	X	-	X	32	650957-9
	9/2	4	1 THRU 16	X	-	X	32	650957-8
	1/2	4	1 THRU 16	X	-	X	32	650957-4
	1/2	8	1 THRU 16	X	-	X	32	650957-3
MATERIAL	FINISH	POSITIONS LOADED	C	B	A	NO. OF LOADED POSITION	ASSY PART NUMBER	
THIS DRAWING IS A CONTROLLED DOCUMENT.		DIN L BRINER 1/22/91	TE Connectivity RECEPTACLE ASSEMBLY, EUROCARD, TYPE 1/2C					
DIMENSIONS: mm [INCHES]		TOLERANCES UNLESS OTHERWISE SPECIFIED: 0 PLC ± - 1 PLC ± - 2 PLC ± - 3 PLC ± 0.1 [.005] 4 PLC ± - ANGLES ± -						
MATERIAL	FINISH	APPLICATION SPEC	SIZE	CAGE CODE	DRAWING NO	RESTRICTED TO		
			A1	00779	650957			
CUSTOMER DRAWING		SCALE	4:1	SHEET	1 OF 1	REV	F	