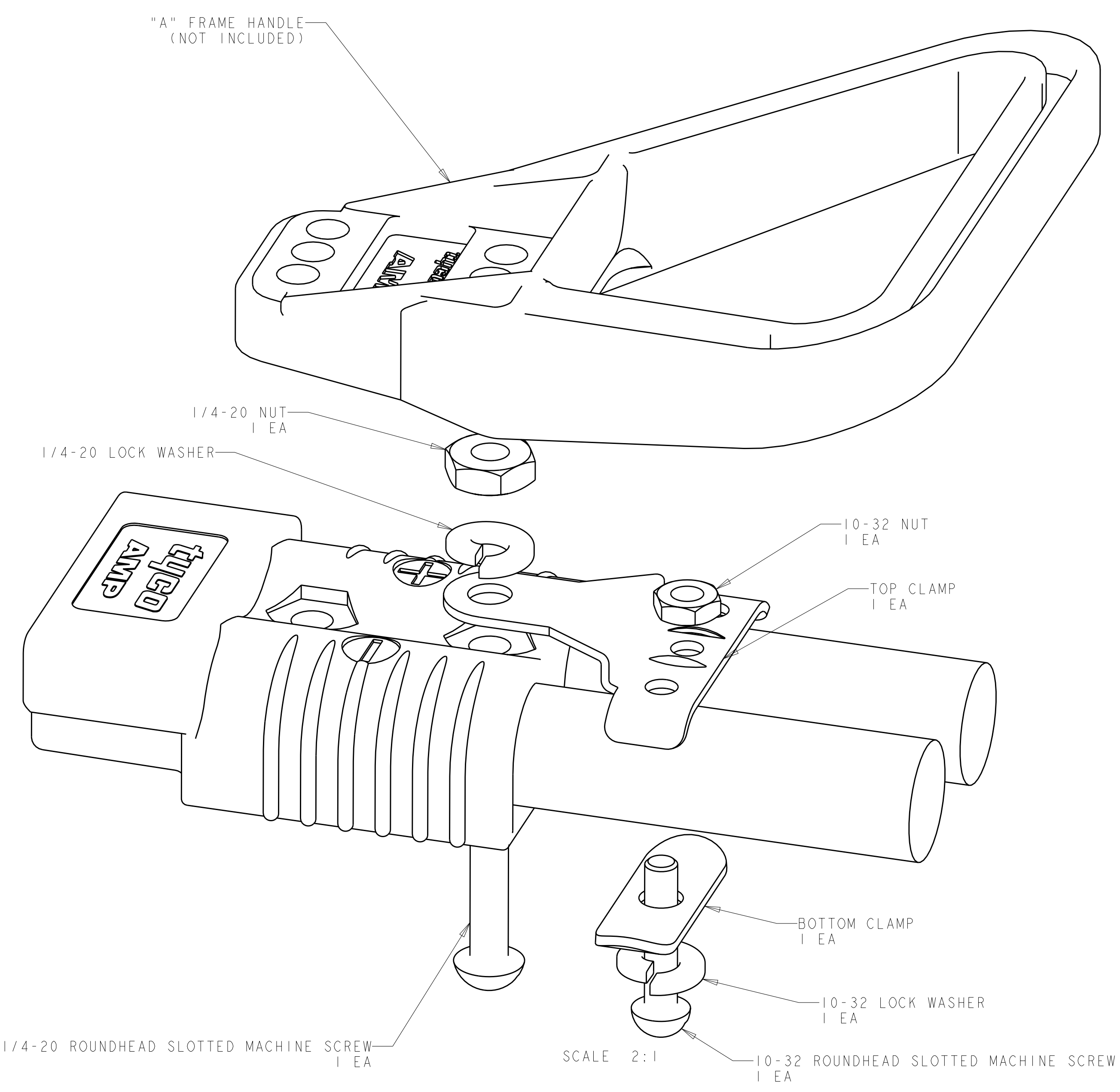
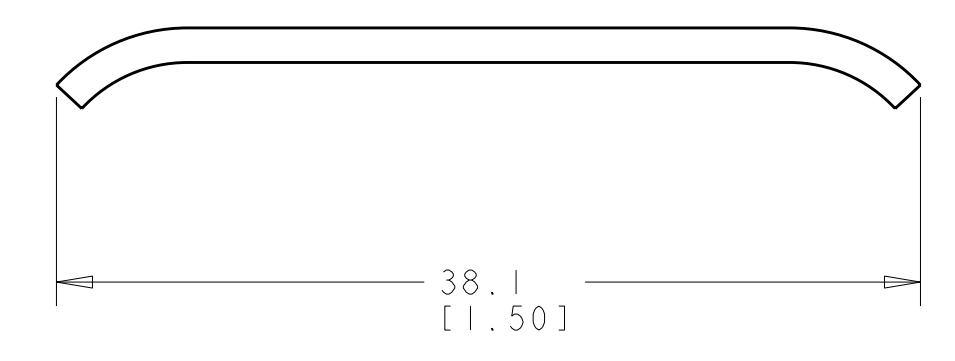
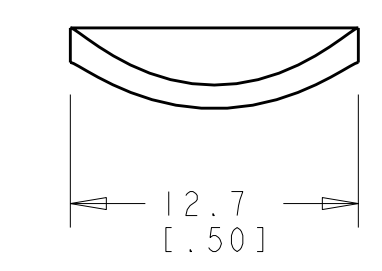
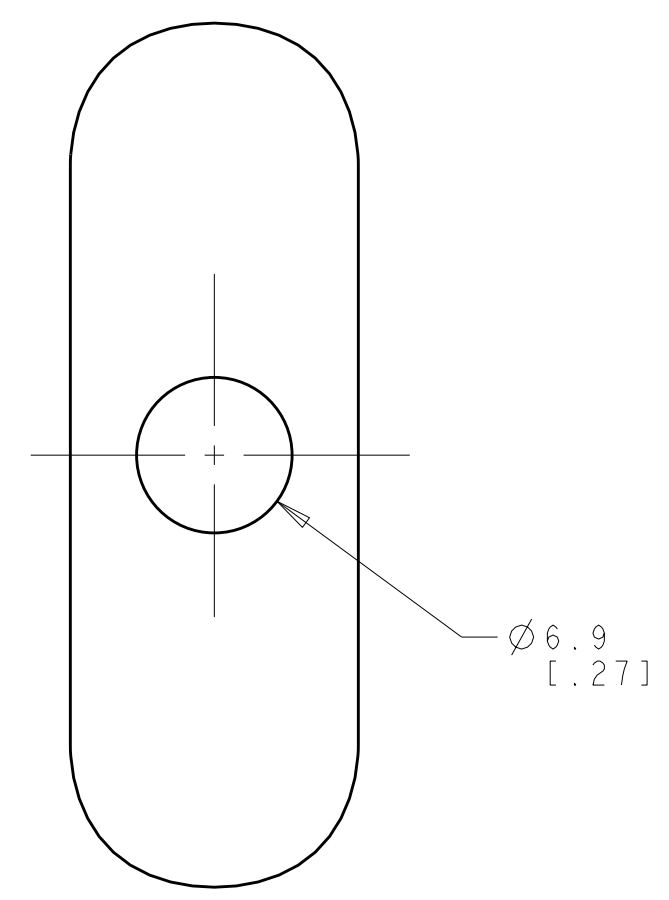
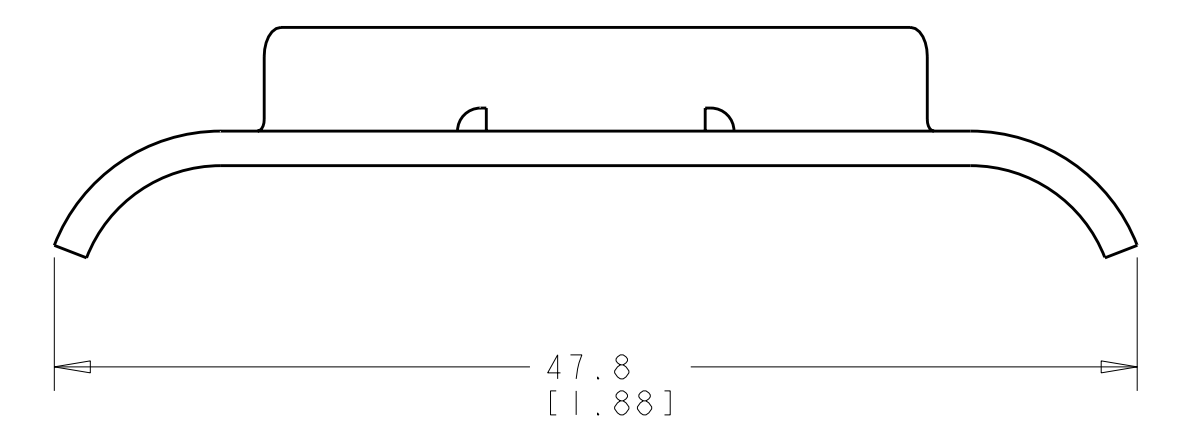
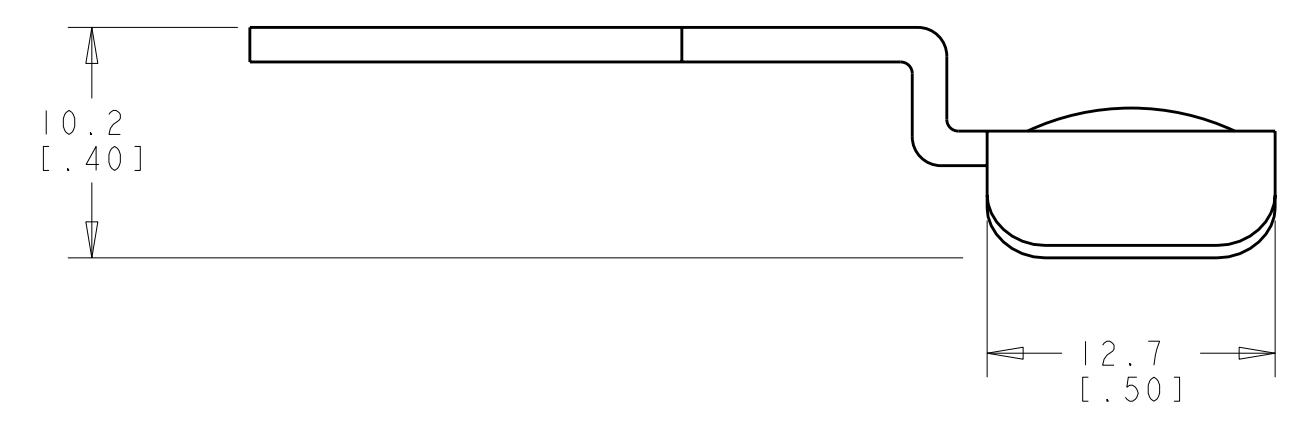
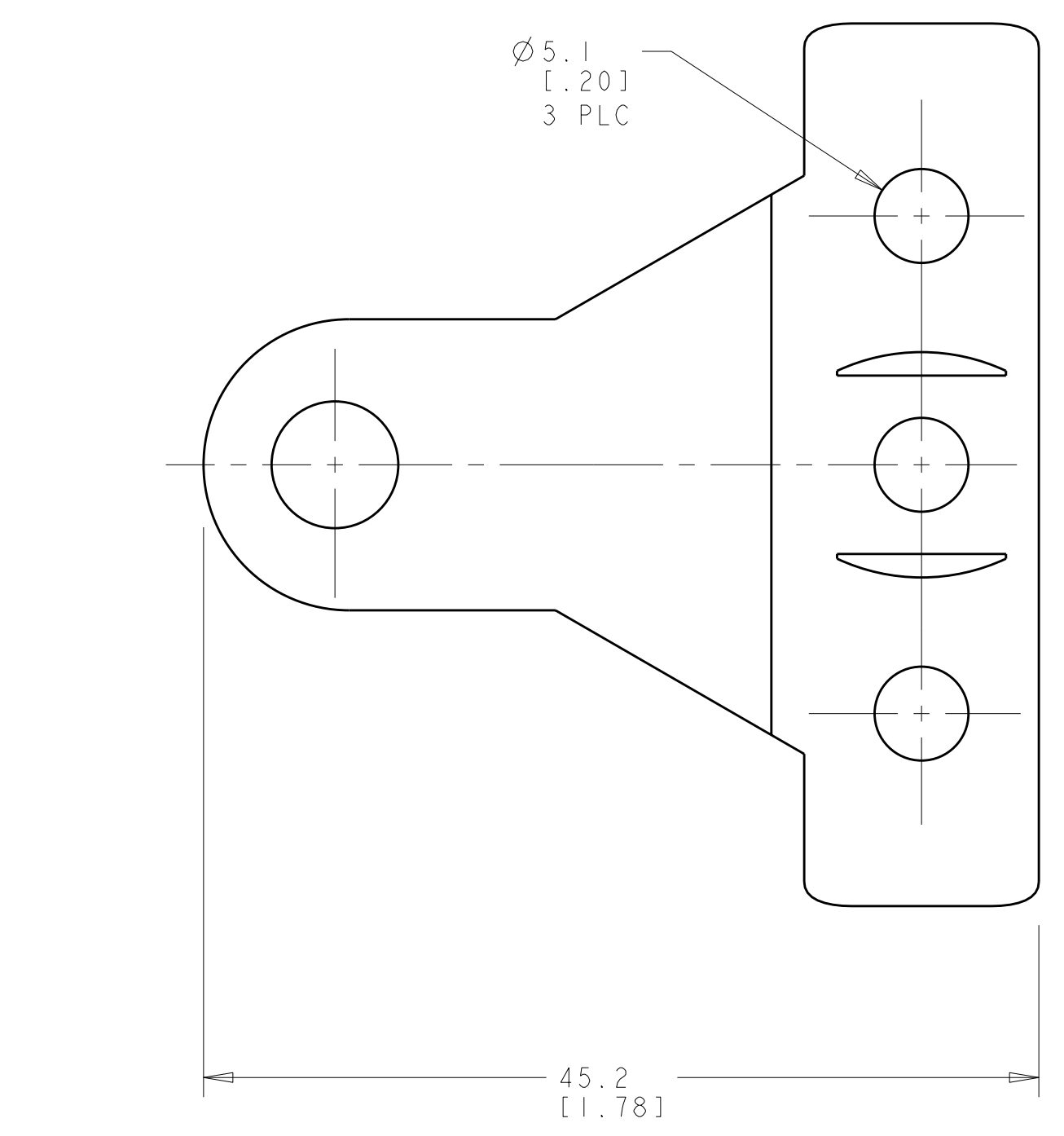


LOC	DIST	REVISIONS					
CM	00	P	LTB	DESCRIPTION	DATE	DWN	APVD
		1		PRE-RELEASED	27OCT2003	KW	JE
		0		REVISED PER 063B-1056-04	14MAR06	KW	JE



1. A HARDWARE KIT CONSISTING OF SCREW, LOCKWASHER, AND NUT IS INCLUDED IN THE CLAMP KIT.
2. CLAMP MATERIAL IS 16 GA. [0.06] THICK COLD ROLLED STEEL. BRIGHT ZINC PLATED.

647703-1  
PART NUMBER



DIMENSIONS: mm [INCHES]		TOLERANCES UNLESS OTHERWISE SPECIFIED: 9 PLC ± 1 PLC ±0.50 [1.020] 5 PLC ± 4 PLC ± ANGLES ±40°/30°		DWN: WHITAKER 27OCT2003 CHK: J. ELLIS 27OCT2003 APVD: J. ELLIS 27OCT2003		Tyco Electronics Harrisburg, PA 17105-3608	
MATERIAL: - FINISH: -		PRODUCT SPEC: - APPLICATION SPEC: - WEIGHT: -		NAME: CABLE CLAMP KIT, AMP POWER SERIES 175		SIZE: A1 CAGE CODE: 00779 DRAWING NO: 647703	
CUSTOMER DRAWING				SCALE: 3:1		SHEET: 1 OF 1 REV: 0	