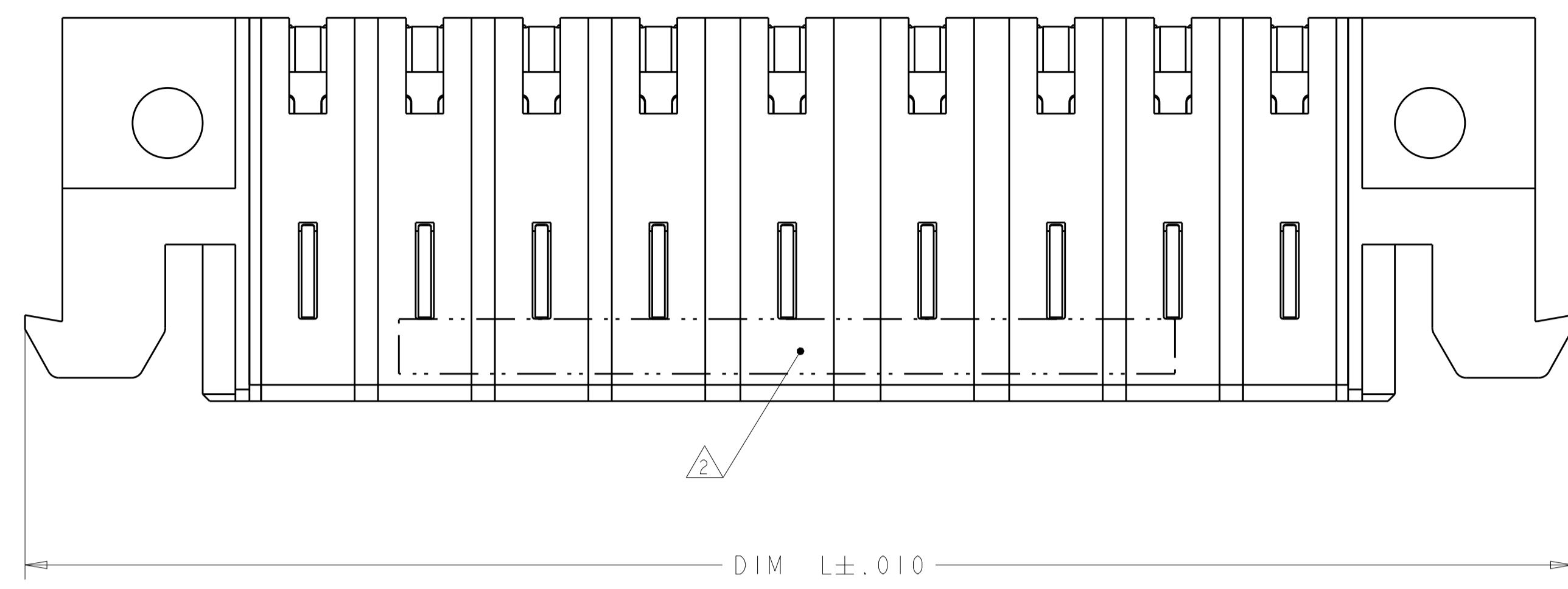
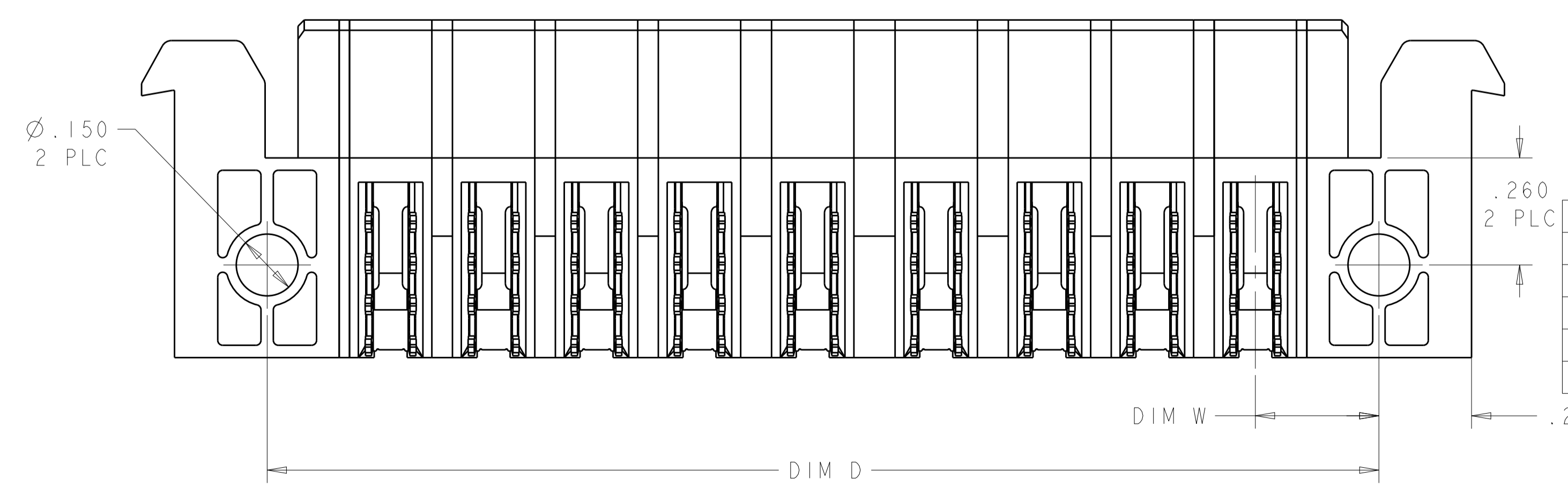
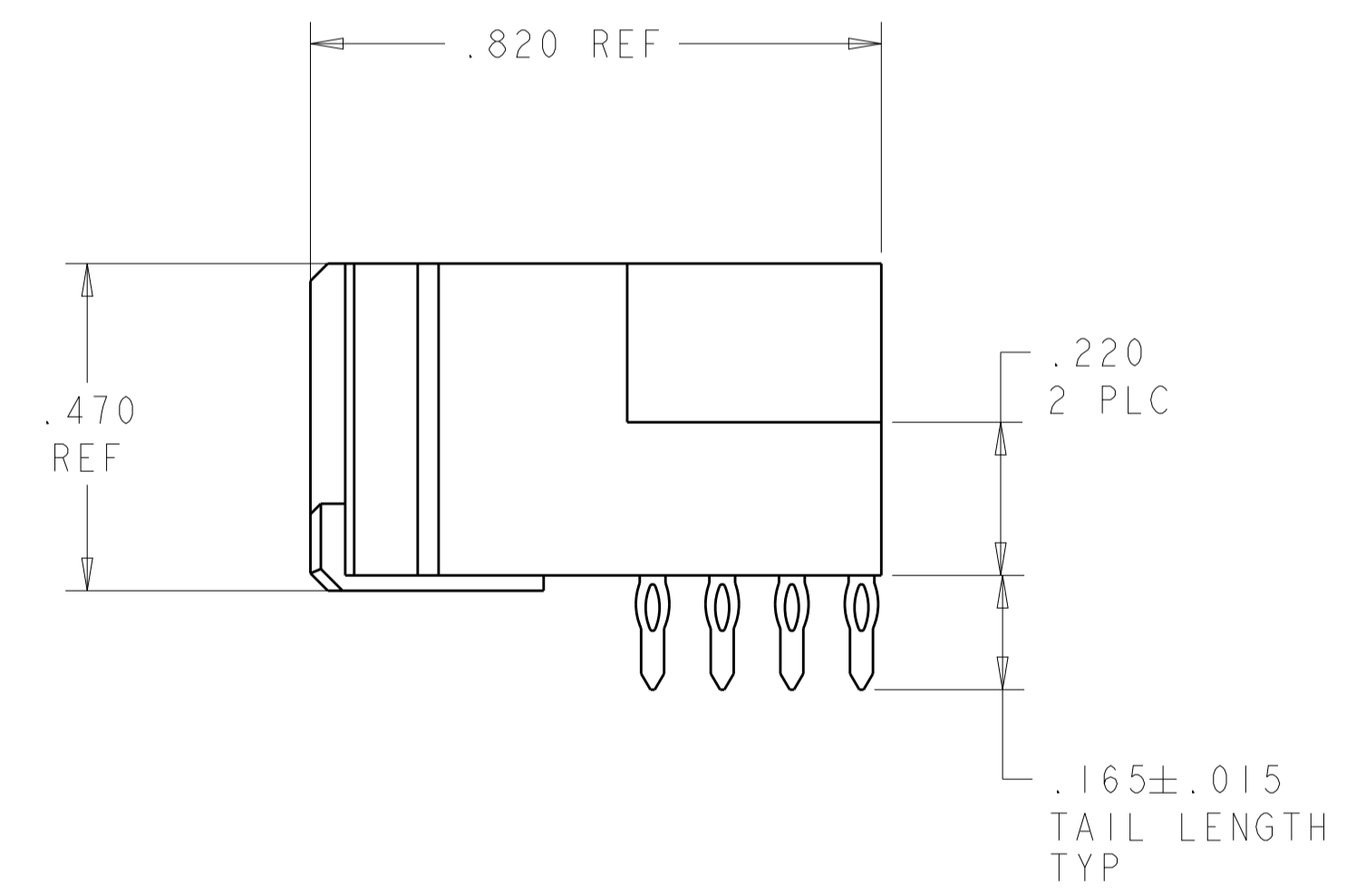
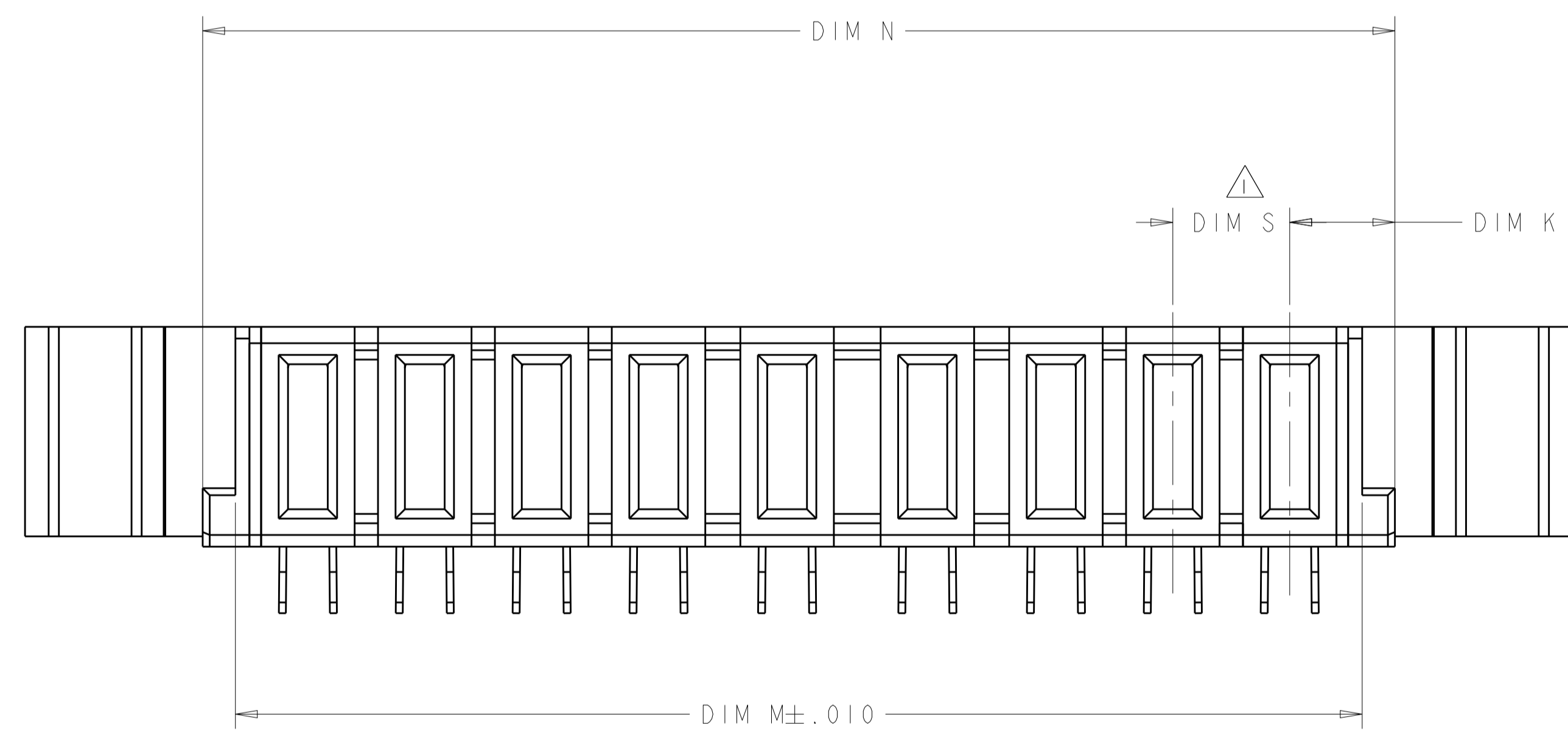


REVISONS		DATE	BY	APPV
A1	ADD NEW PART -4, -5, -6	15OCT2012	AY	SZ
A2	UPDATE -4, -5, -6 CONTACT SEQUENCE	23OCT2012	AY	SZ
A3	CORRECT PART -4 PCB LAYOUT	07NOV2012	AY	SZ



- 1 DIM S IS CENTERLINE SPACING OF POWER MODULES
- 2 "AMP", PART NUMBER, AND DATE CODE TO BE MARKED IN AREA SHOWN PARTS UNDER 2.00 LONG MAY BE MARKED ON BOTH SIDES
- 3 MATERIAL: HOUSING - GLASS FILLED HIGH TEMP THERMO PLASTIC, UV94 V-0
 SIGNAL CONTACT - HIGH CONDUCTIVITY COPPER ALLOY
 POWER CONTACT - HIGH CONDUCTIVITY COPPER ALLOY
- 4 CONTACT PLATING: NOBLE METAL PLATING ON CONTACT FUNCTIONAL AREA OF POWER AND SIGNAL CONTACTS
- 5 MECHANICAL CONNECTOR KEEP OUT ZONE
- 6 DATUM AND BASIC DIMENSIONS ESTABLISHED BY CUSTOMER
- 7 PCB - ALL HOLE DIAMETERS ARE FINISHED HOLE SIZES
- 8 PCB - .0453 ±.0010 DRILLED HOLE PLATED WITH .0003 MIN Sn OVER .001-.003 PLATING TO ACHIEVE A .040 HOLE
- 9 VARIABLE DIMENSION SHOW ON VIEW (SHEET 3).
- 10 "P +S + P" TYPE SEE SHEET 2



1.175	.675	.200	.200	1.500	1.360	1.650	.275	.200	2.260	2HDP + 16S +2HDP	6450773-6
.775	.475	-	-	.900	.760	1.050	.275	.200	1.660	IP + 8S +IP	6450773-5
.975	.475	-	-	1.100	.960	1.250	.275	.200	1.860	IP + 16S +IP	6450773-4
-	-	-	9	1.300	1.160	1.450	.300	.225	2.060	4P	6450773-2
-	-	-	9	2.550	2.410	2.700	.300	.225	3.310	9P	6450773-1
DIM H	DIM R	DIM T	DIM S	DIM N	DIM M	DIM D	DIM W	DIM K	DIM L	DESCRIPTION	PART NUMBER

THIS DRAWING IS A CONTROLLED DOCUMENT. DWN: GECILY.ZHOU 09OCT2006
 CHK: S.ZHAO 09OCT2006

STE TE Connectivity

NAME: RIGHT ANGLE RECEPTACLE ASSEMBLY PRESS FIT, WITH LATCH RECEIVERS MULTI-BEAM XL

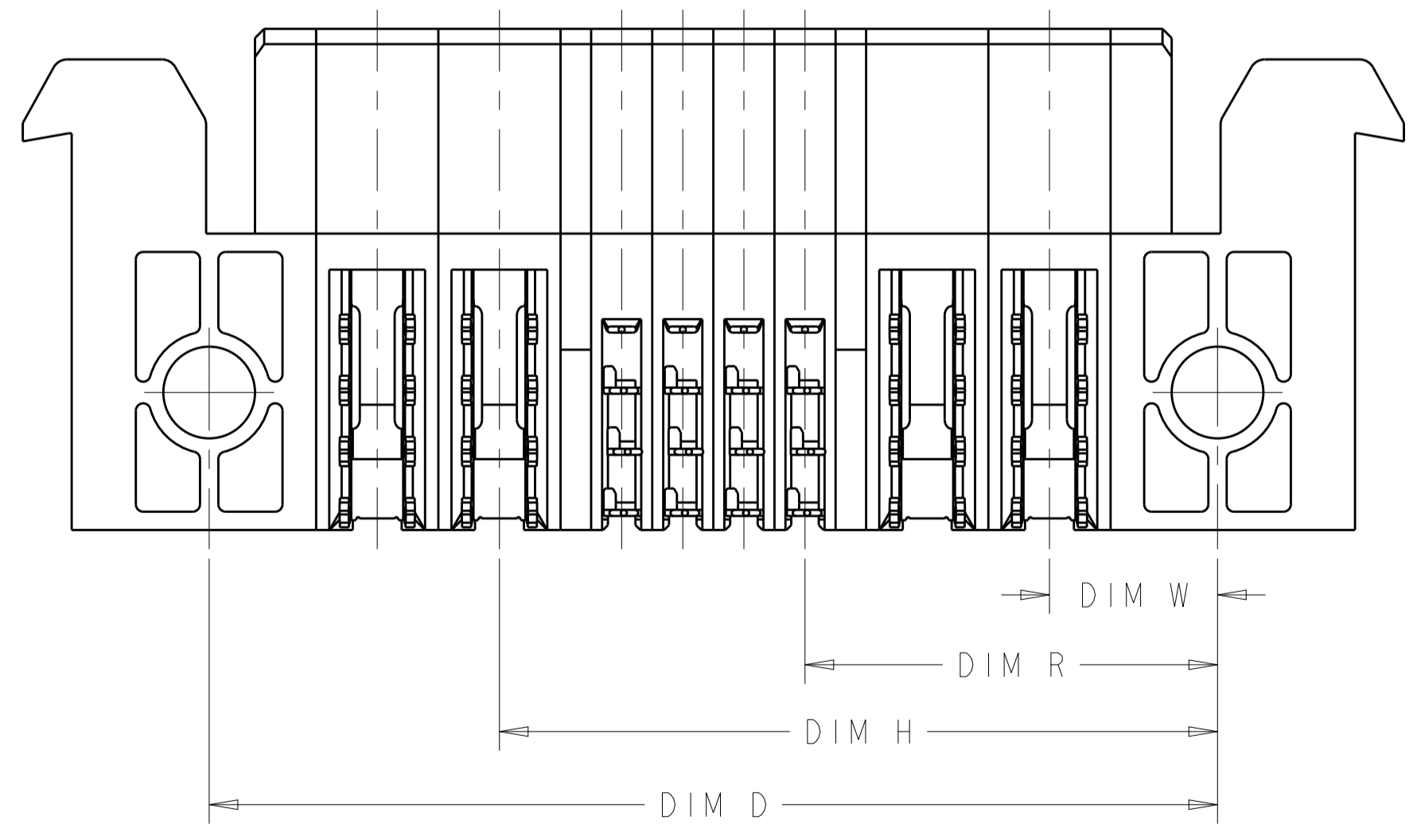
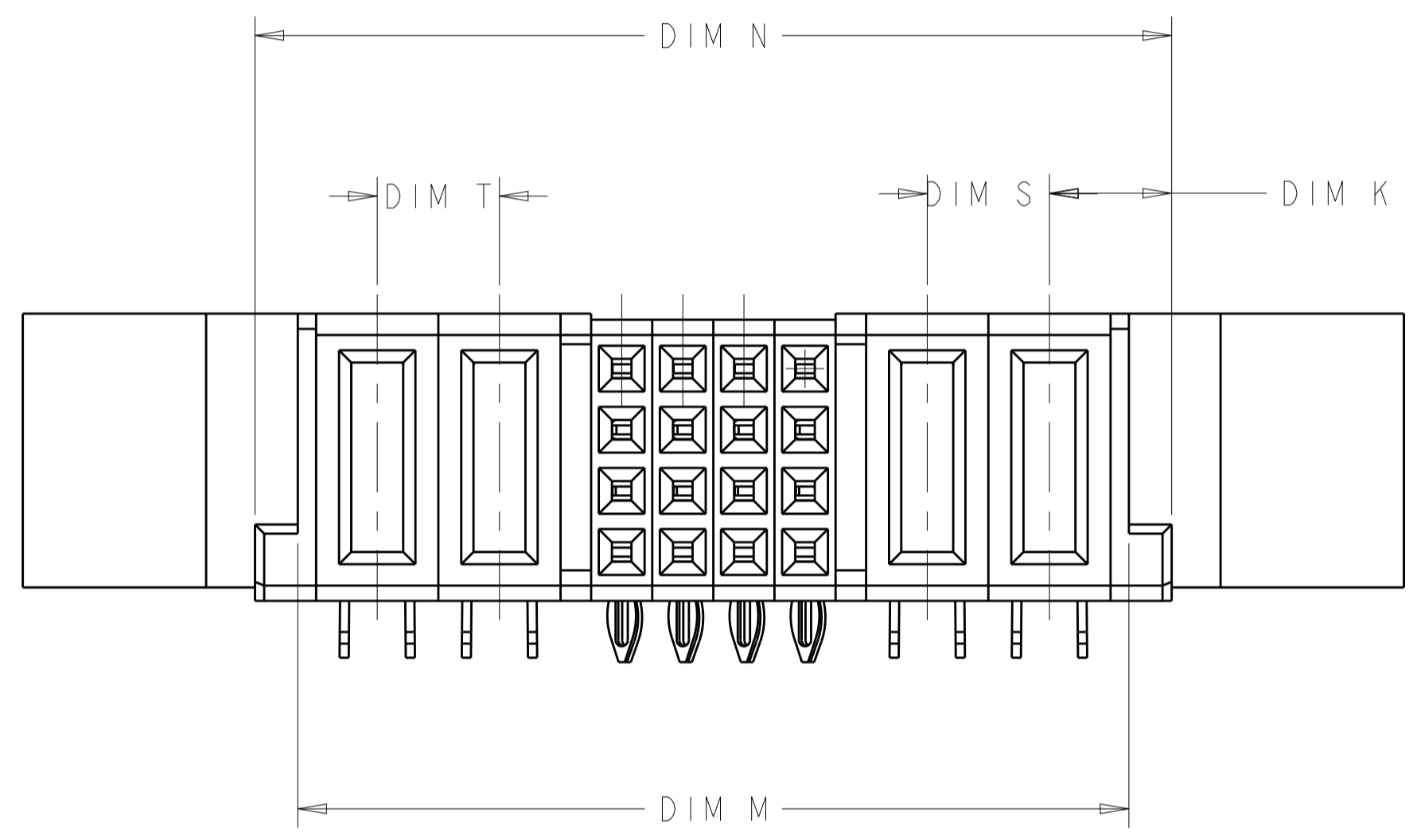
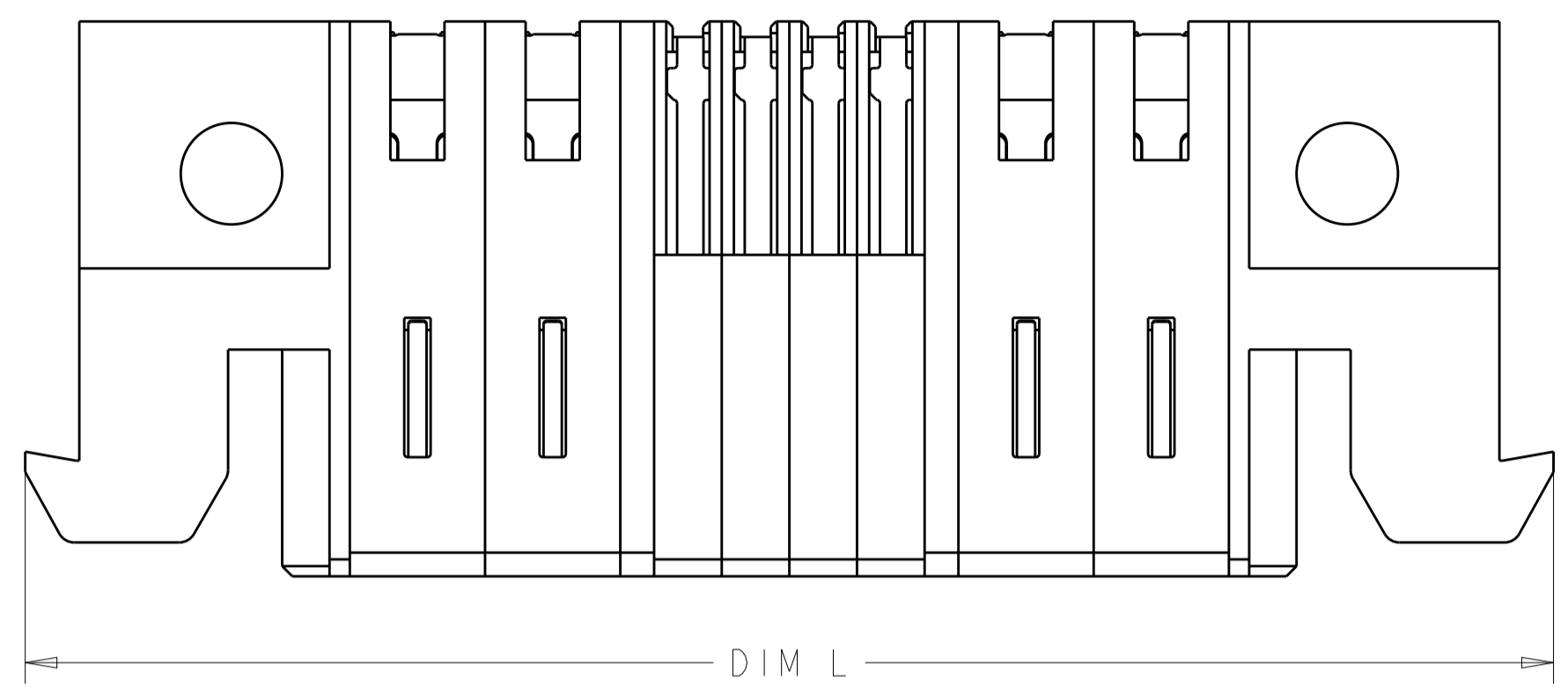
PRODUCT SPEC: 108-1973
 APPLICATION SPEC: 114-13038


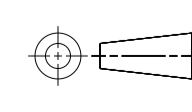
SIZE: A1
 CAGE CODE: 6450773
 DRAWING NO: 6450773

RESTRICTED TO: -

CUSTOMER DRAWING SCALE: 4:1 SHEET 1 OF 5 REV: A4

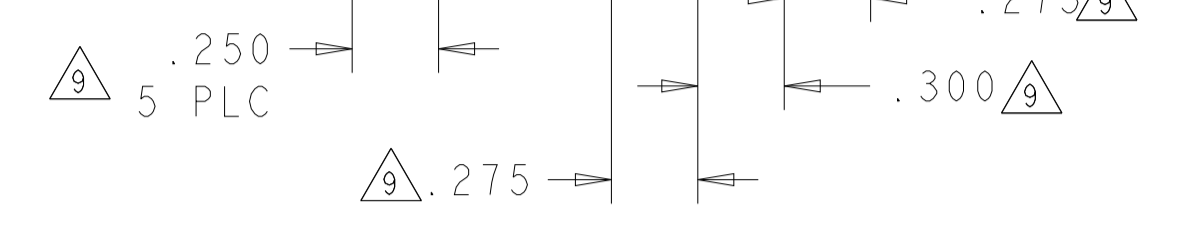
LOC	DIST	REVISIONS					
		P.	LTN	DESCRIPTION	DATE	DWN	APVD
ES	00	-	-	SEE SHEET 1	-	-	-



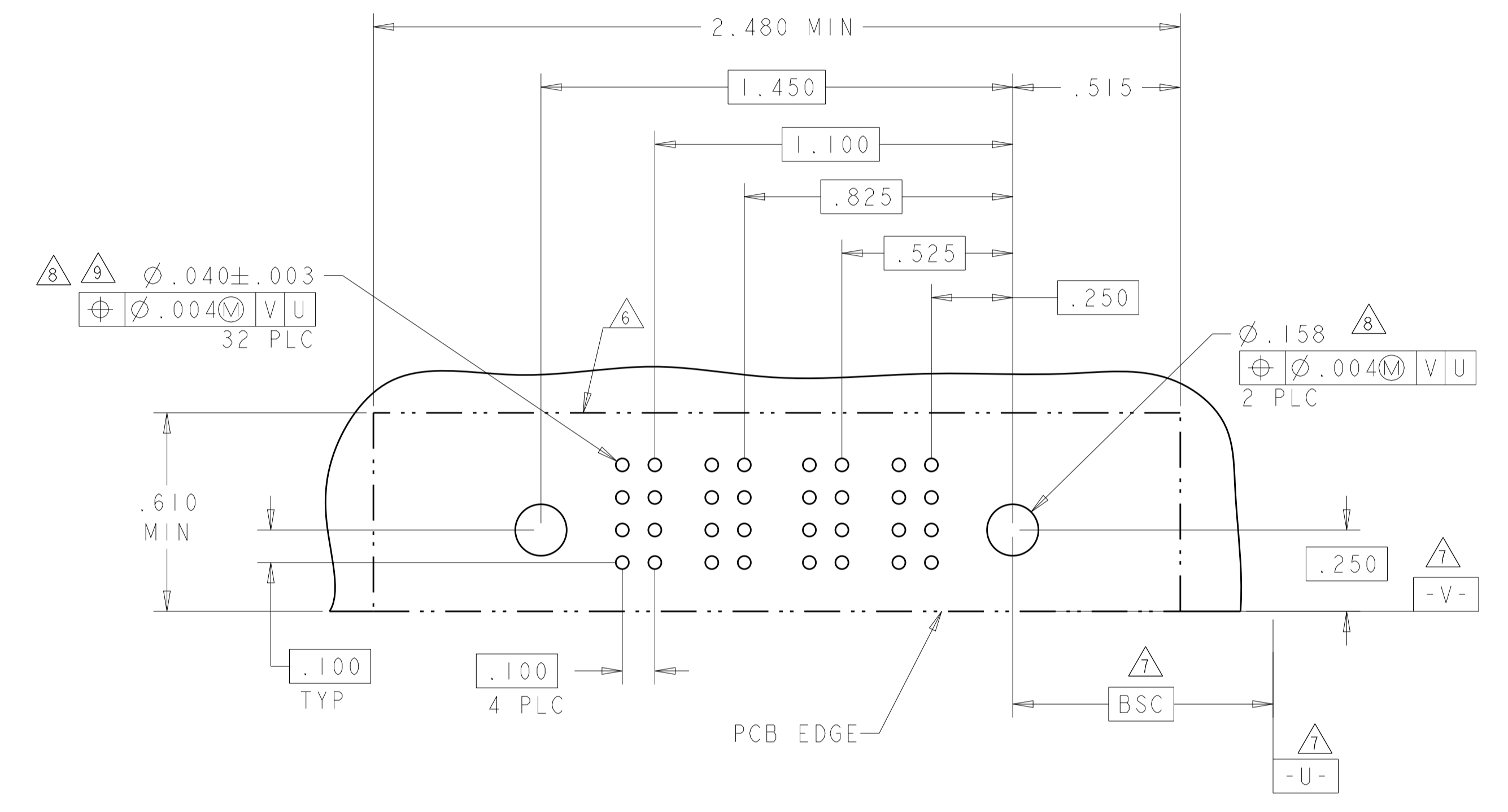
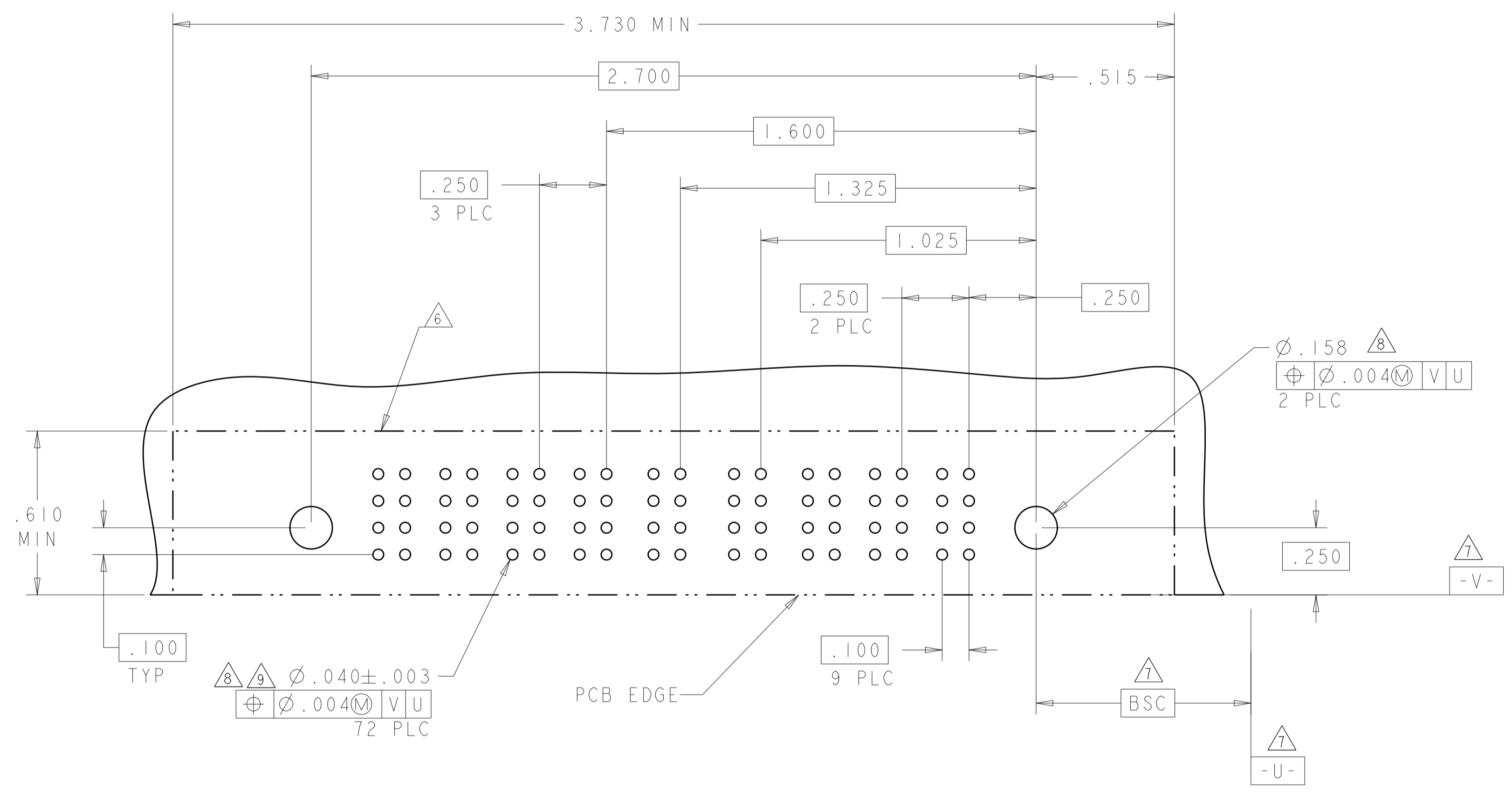
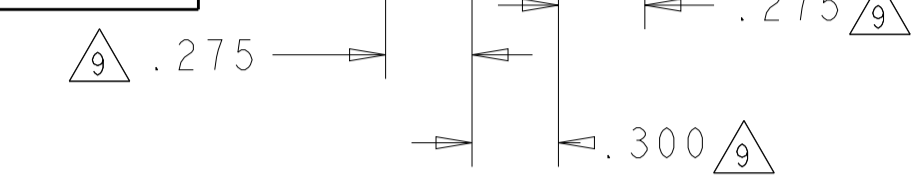
THIS DRAWING IS A CONTROLLED DOCUMENT.		DWN: CECILY.ZHOU 09OCT2006	 TE Connectivity
		CHK: S.ZHAO 09OCT2006	
DIMENSIONS:	TOLERANCES UNLESS OTHERWISE SPECIFIED:	APVD: S.YAO	NAME: RIGHT ANGLE RECEPTACLE ASSEMBLY
INCHES	0 PLC ±.1	PRODUCT SPEC	PRESS FIT, WITH LATCH RECEIVERS
	1 PLC ±.01	108-1973	MULTI-BEAM XL
	2 PLC ±.01	APPLICATION SPEC	SIZE: CAGE CODE DRAWING NO
	3 PLC ±.005	114-13038	A100779C=6450773
	4 PLC ±.0020	WEIGHT	
MATERIAL	FINISH	CUSTOMER DRAWING	RESTRICTED TO
		SCALE 4:1	SHEET 2 OF 5

LOC	DIST	REVISIONS			
P	LTN	DESCRIPTION	DATE	DMN	APVD
ES	00	SEE SHEET 1			

PART NUMBER	ROWS	POWER								
		P9	P8	P7	P6	P5	P4	P3	P2	P1
6450773-1	D C B A	RL	RL	RL	RL	RL	RL	RL	RL	RL
9P										



PART NUMBER	ROWS	POWER			
		P4	P3	P2	P1
6450773-2	D C B A	RL	RL	RL	RL
4P					



D	SIGNAL CONTACT, PRESS FIT, STD, .119
C	SIGNAL CONTACT, PRESS FIT, STD, .119
B	SIGNAL CONTACT, PRESS FIT, STD, .119
A	SIGNAL CONTACT, PRESS FIT, STD, .119
RP	POWER CONTACT, MFBL, PRESS FIT, STD, .119
RS	POWER CONTACT, PRESS FIT, STD, .119
RL	POWER CONTACT, PRESS FIT, STD, .165
CODE	DESCRIPTION

THIS DRAWING IS A CONTROLLED DOCUMENT. DWN: CECILY.ZHOU 09OCT2006
CHK: S.ZHAO 09OCT2006

STE TE Connectivity

NAME: RIGHT ANGLE RECEPTACLE ASSEMBLY PRESS FIT, WITH LATCH RECEIVERS MULTI-BEAM XL

PRODUCT SPEC: 108-1973
APPLICATION SPEC: 114-13038

SIZE: A1 CAGE CODE: 6450773 DRAWING NO: 100779

MATERIAL: CUSTOMER DRAWING SCALE: 4:1 SHEET: 3 OF 5 REV: A4

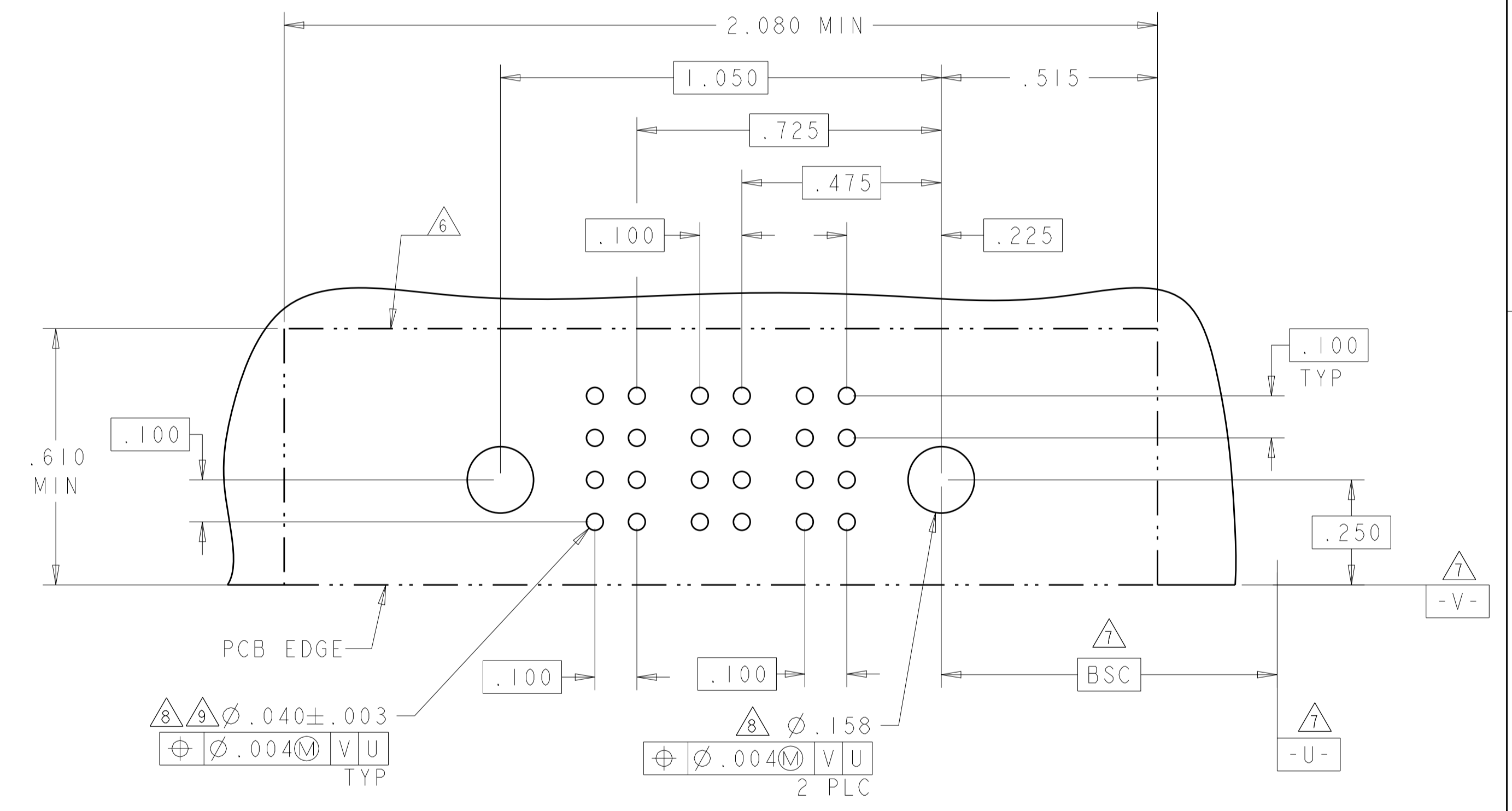
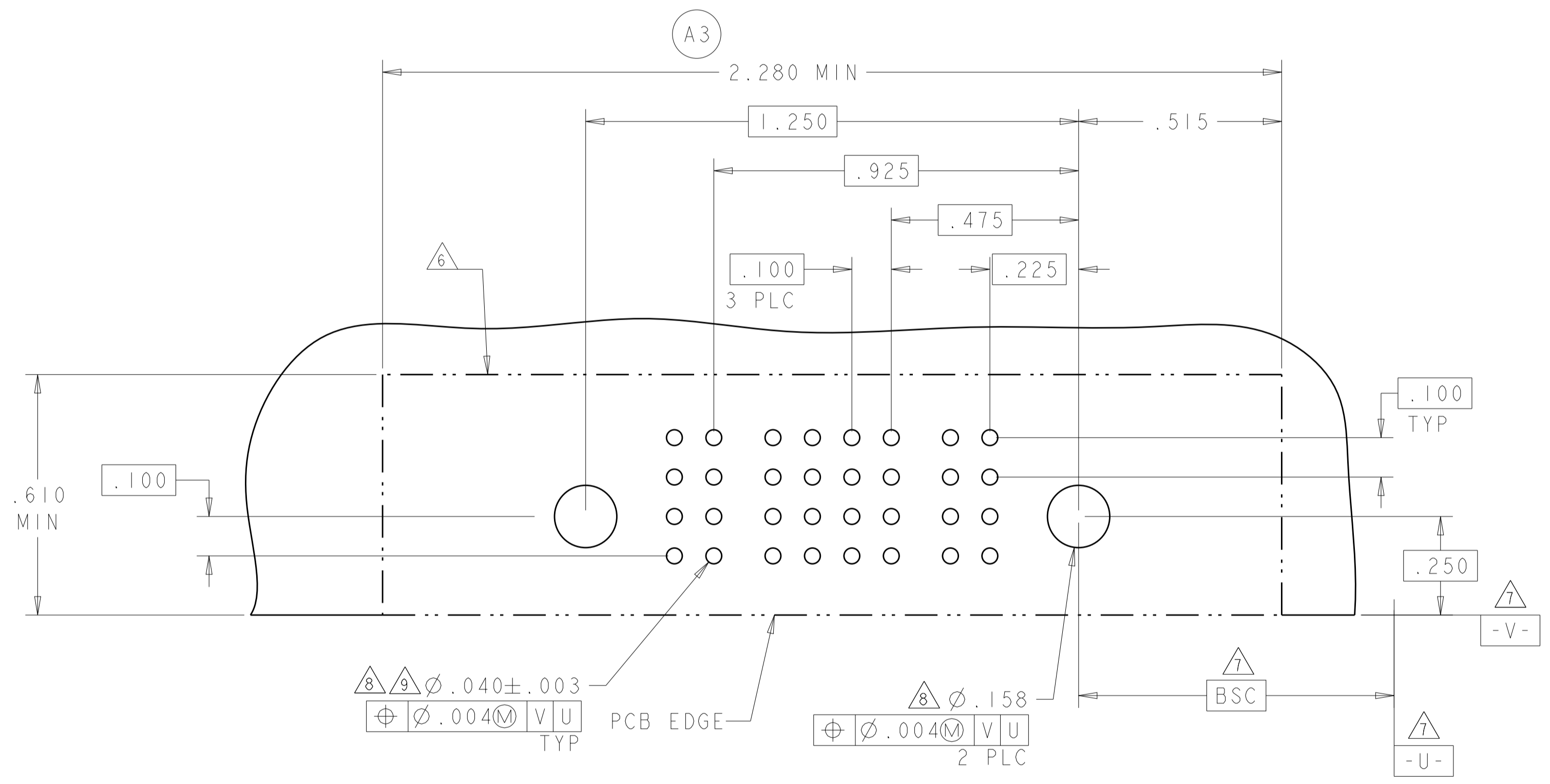
LOC	DIST	REVISIONS			
P	LTN	DESCRIPTION	DATE	DMN	APVD
ES	00	SEE SHEET 1	-	-	-

A2

PART NUMBER	ROWS		POWER		SIGNAL				POWER	
			P2	4	3	2	1	PI		
6450773-4	D	○	RP	D	D	D	D	RS	○	
	C			C	C	C				
	B			B	B	B				
	A			A	A	A				
IP + 16S + IP										

A2

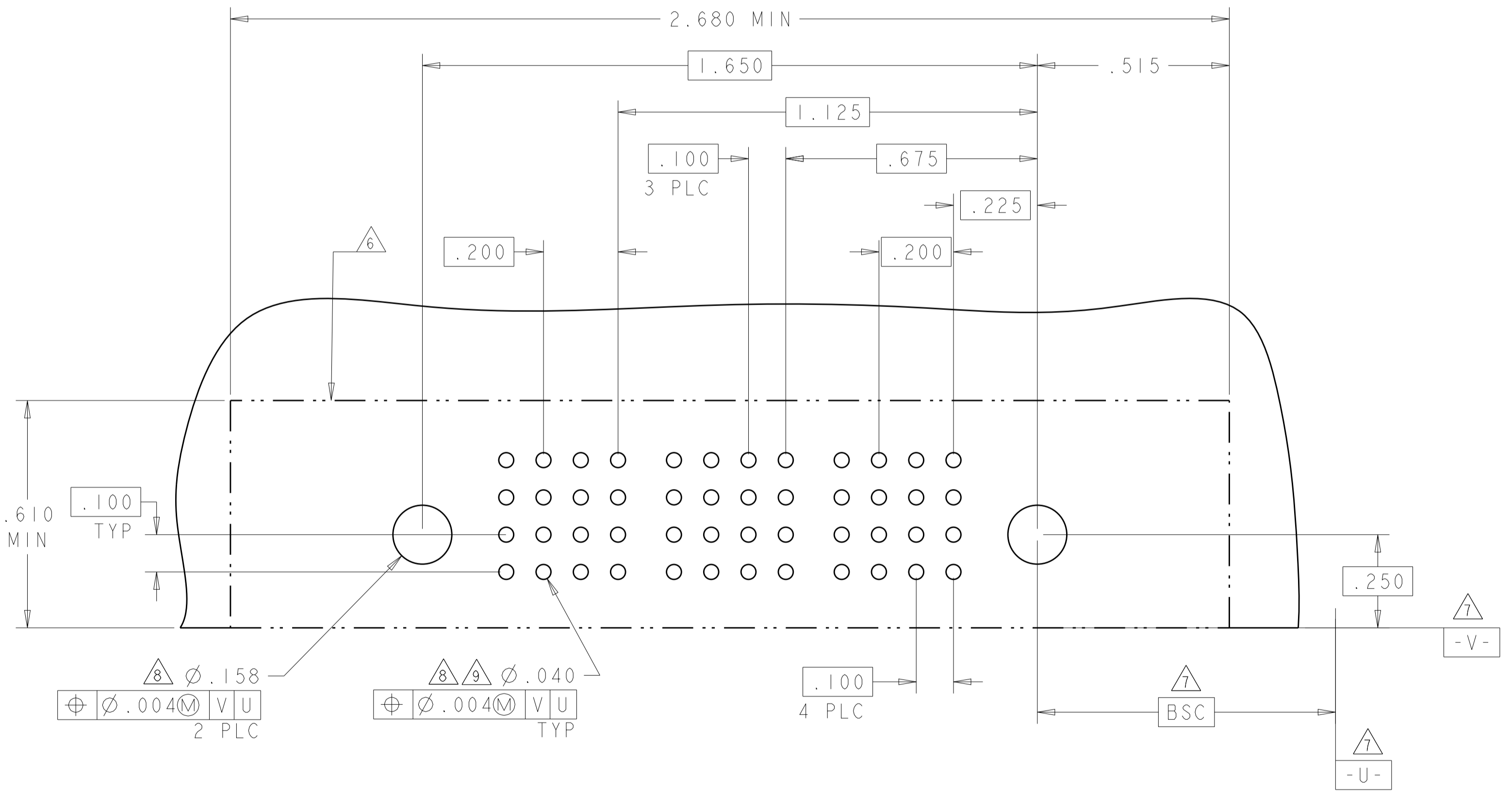
PART NUMBER	ROWS		POWER		SIGNAL		POWER	
			P2	2	1	PI		
6450773-5	D	○	RP	D	D	RS	○	
	C			C				
	B			B				
	A			A				
IP + 8S + IP								



THIS DRAWING IS A CONTROLLED DOCUMENT. DIMENSIONS: INCHES. TOLERANCES UNLESS OTHERWISE SPECIFIED: 0 PLC ±.1, 2 PLC ±.01, 3 PLC ±.005, 4 PLC ±.0020. MATERIAL: -. FINISH: -. DWN: CECILY.ZHOU, CHK: S.ZHAO, APVD: S.YAO. PRODUCT SPEC: 108-1973. APPLICATION SPEC: 114-13038. WEIGHT: -. CUSTOMER DRAWING. SCALE: 4:1. SHEET: 4 OF 5. REV: A4. NAME: RIGHT ANGLE RECEPTACLE ASSEMBLY PRESS FIT WITH LATCH RECEIVERS MULTI-BEAM XL. SIZE: A1. CAGE CODE: 6450773. DRAWING NO: 100779.

LOC	DIST	REVISIONS			
P	LTN	DESCRIPTION	DATE	DMN	APVD
-	-	SEE SHEET 1	-	-	-

PART NUMBER	ROWS	POWER	SIGNAL				POWER		
			P4	P3	4	3	2	1	P2
6450773-6	D	RP	RP	D	D	D	D	RS	RS
	C			C	C	C			
	B			B	B	B			
	A			A	A	A			
2HDP + 16S + 2HDP									



THIS DRAWING IS A CONTROLLED DOCUMENT.		DMN: CECILY.ZHOU 09OCT2006	TE Connectivity
DIMENSIONS: INCHES		CHK: S.ZHAO 09OCT2006	
DIMENSIONS: INCHES TOLERANCES UNLESS OTHERWISE SPECIFIED: 0 PLC ±.1 1 PLC ±.01 2 PLC ±.005 3 PLC ±.002 4 PLC ±.0020 ANGLES ±.2°		APVD: S.YAO	NAME: RIGHT ANGLE RECEPTACLE ASSEMBLY PRESS FIT, WITH LATCH RECEIVERS MULTI-BEAM XL
MATERIAL: -		PRODUCT SPEC: 108-1973	RESTRICTED TO: -
FINISH: -		APPLICATION SPEC: 114-13038	SIZE: A1
CUSTOMER DRAWING		WEIGHT: -	CAGE CODE: 6450773
SCALE: 4:1		SHEET: 5 OF 5	REV: A4