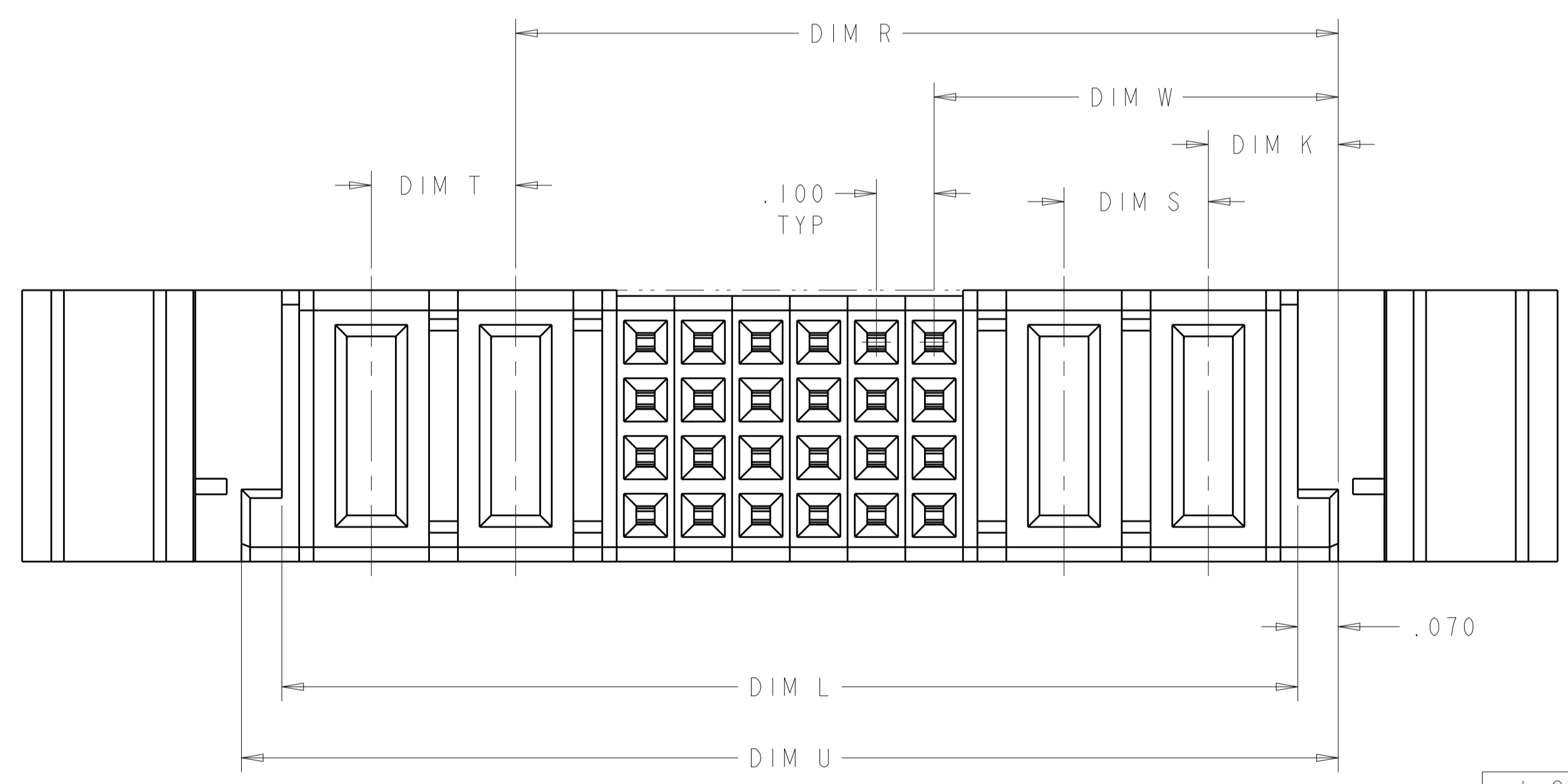
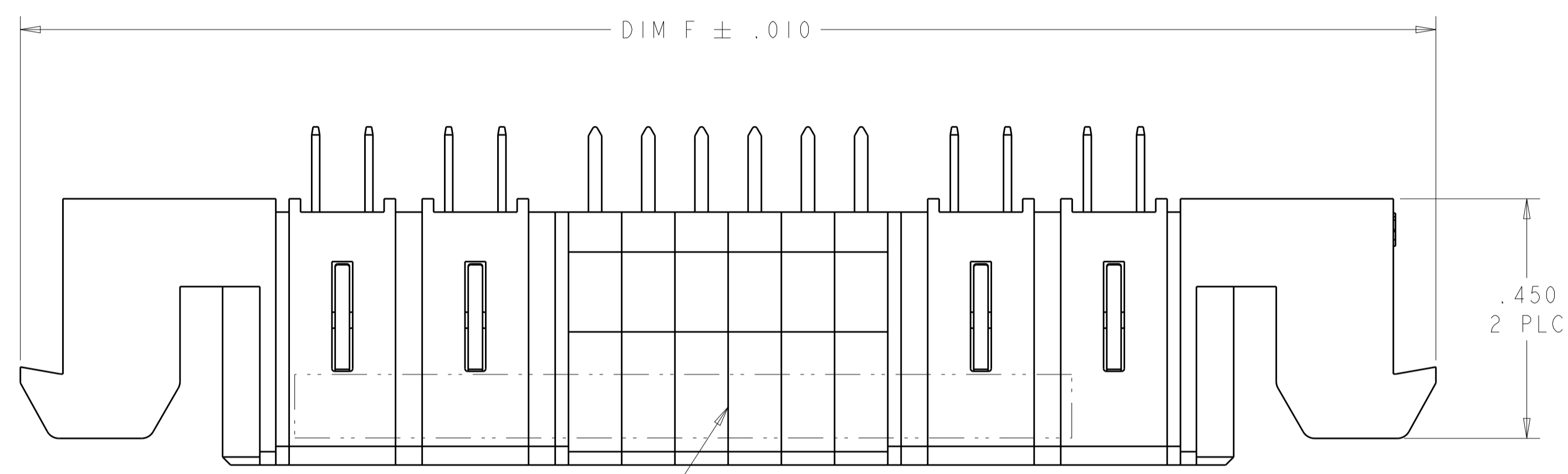
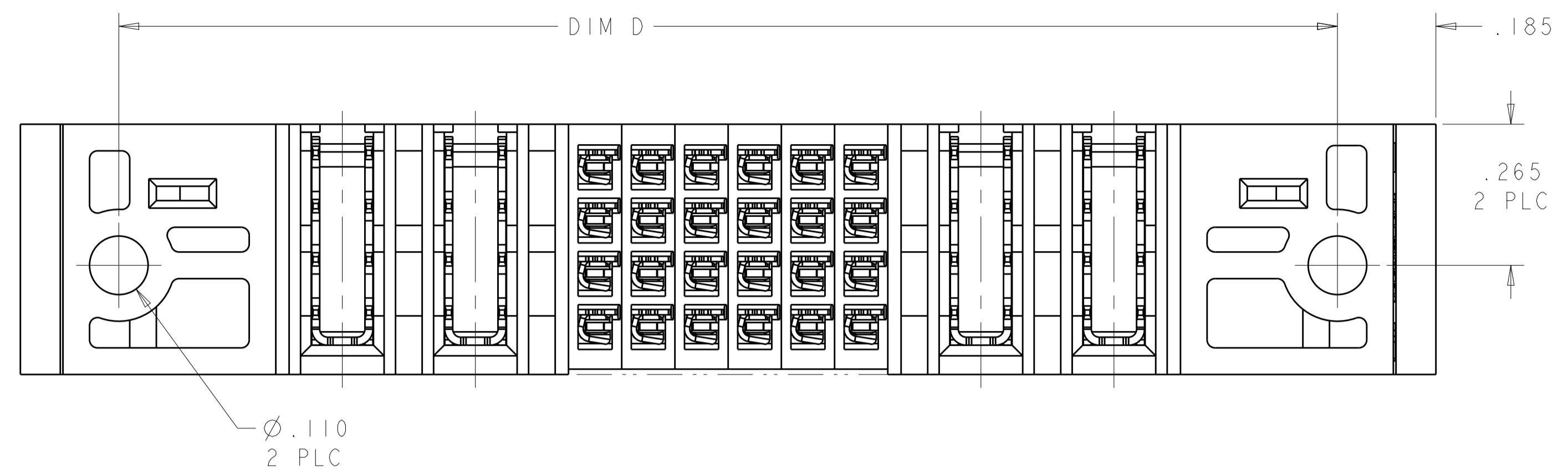
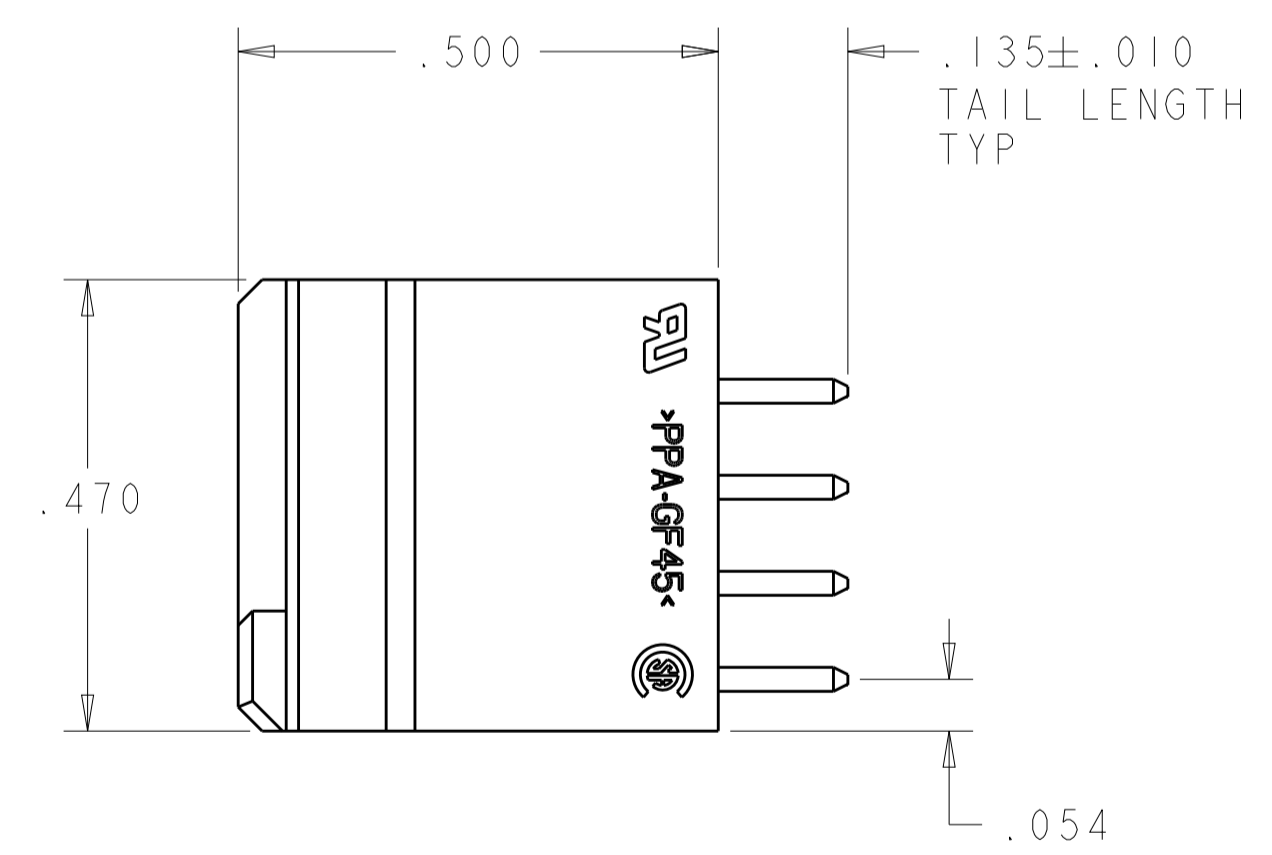


LOC	DIST	REVISIONS					
		P	LTN	DESCRIPTION	DATE	DWN	APVD
ES	00	A1		ADD NEW PART -4, -5, -10, -11	12OCT2012	AY	SZ
		A2		UPDATE -4, -5, -10, -11 SEQUENCE	23OCT2012	AY	SZ



- 1 "AMP", TRADEMARK, PART NUMBER AND DATE CODE TO BE MARKED IN AREA SHOWN
- 2 MATERIAL: HOUSING - GLASS FILLED HIGH TEMP THERMO PLASTIC, UL94 V-0  
SIGNAL CONTACT - HIGH CONDUCTIVITY COPPER ALLOY  
POWER CONTACT - HIGH CONDUCTIVITY COPPER ALLOY
- 3 CONTACT PLATING: NOBLE METAL PLATING ON CONTACT FUNCTIONAL AREA OF POWER AND SIGNAL CONTACTS
- 4 MECHANICAL CONNECTOR KEEP OUT ZONE. WHEN PLACING CONNECTORS END - TO - END, ALLOW ADDITIONAL 0.5 CLEARANCE BETWEEN CONNECTORS FOR LATCH ACTIVATION.
- 5 DATUM AND BASIC DIMENSIONS ESTABLISHED BY CUSTOMER
- 6 PCB - ALL HOLE DIAMETERS ARE FINISHED HOLE SIZES
- 7 PCB - .0453 ± .0010 DRILLED HOLES PLATED WITH .0003 MIN Sn OVER .001 TO .003 CU PLATING TO ACHIEVE A .040 ± .003 DIA HOLE
- 8 RECOMMEND USING TWO CUSTOMER SUPPLIED SCREWS TO SECURE TO BOARD: 5-20 X .38 LG, SELF-TAPPING, HI-LO TYPE, CROSS RECESSED PAN HEAD TYPE OR TYCO APPROVED EQUIVALENT SUCH AS TYCO P/N 19024-1.



1.890	2.260	1.500	1.360	.200	.200	1.100	.600	.200	2P + 16S + 2P	I-6450740-1
1.290	1.660	.900	.760	-	-	.700	.400	.200	1P + 8S + 1P	I-6450740-0
3.390	3.760	3.000	2.860	.250	.250	1.775	1.450	.225	5P + 8S + 5P	6450740-9
2.290	2.660	1.900	1.760	.250	.250	1.425	.700	.225	2P + 24S + 2P	6450740-6
1.790	2.160	1.400	1.260	-	-	1.175	.450	.225	1P + 24S + 1P	6450740-5
1.490	1.860	1.100	.960	-	-	.900	.400	.200	1P + 16S + 1P	6450740-4
DIM D	DIM F	DIM U	DIM L	DIM T	DIM S	DIM R	DIM W	DIM K	DESCRIPTION	PART NUMBER

(A2)

THIS DRAWING IS A CONTROLLED DOCUMENT.

DIMENSIONS: INCHES

TOLERANCES UNLESS OTHERWISE SPECIFIED:

0 PLC	±
1 PLC	±.01
2 PLC	±.01
3 PLC	±.005
4 PLC	±.002
ANGLES	±.020

MATERIAL: PPA-GF45

FINISH: 3

THIS DRAWING IS A CONTROLLED DOCUMENT. DWN: D. ZHU 17JUL2007, CHK: S. ZHAO 17JUL2007, APVD: S. YAO

NAME: VERTICAL RECEPTACLE ASSEMBLY WITH LATCH RECEIVERS MULTI-BEAM XL

PRODUCT SPEC: 108-1973

APPLICATION SPEC: 114-13038

SIZE: A1, CAGE CODE: 6450740, DRAWING NO: 100779

RESTRICTED TO: A1

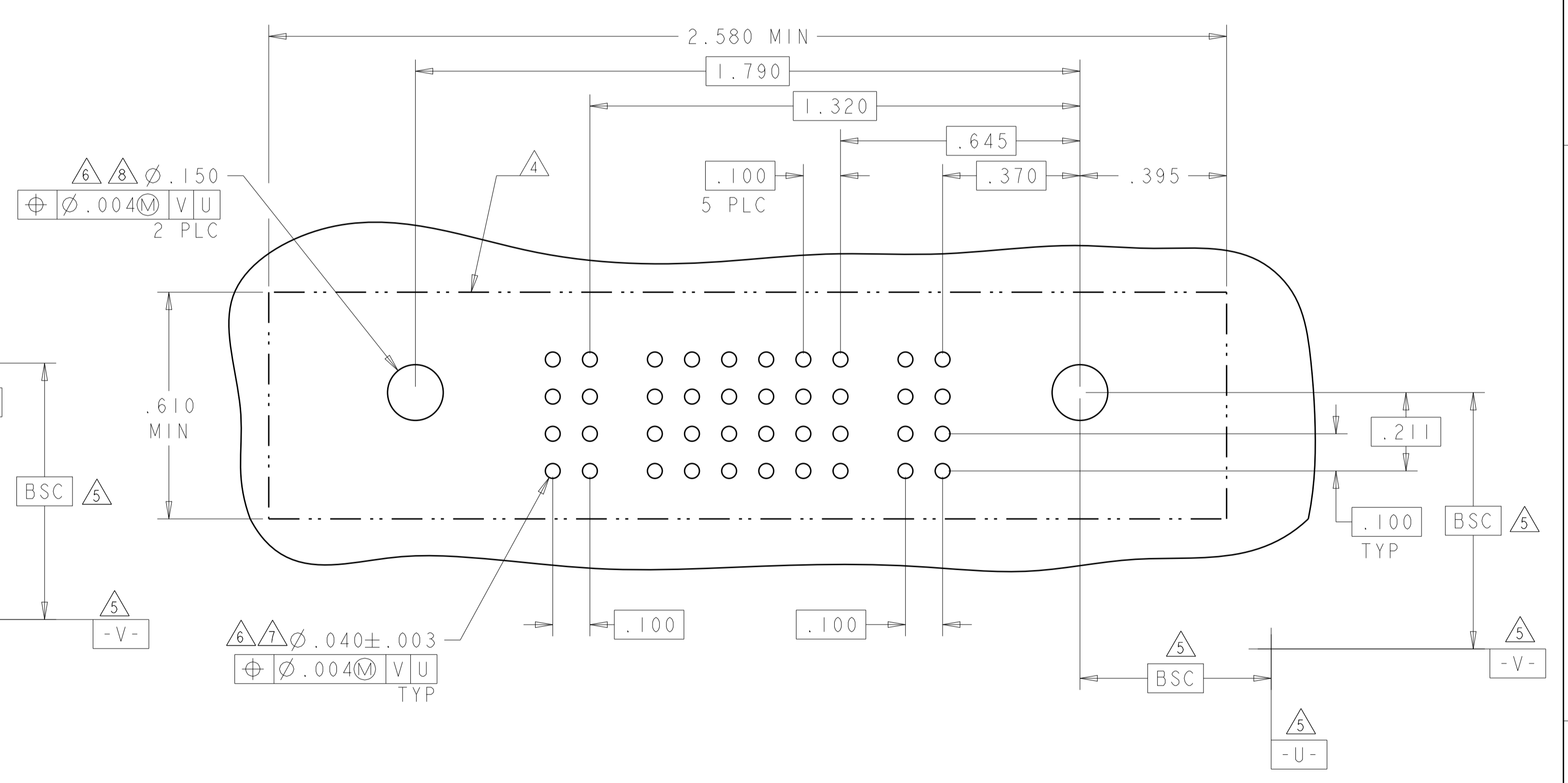
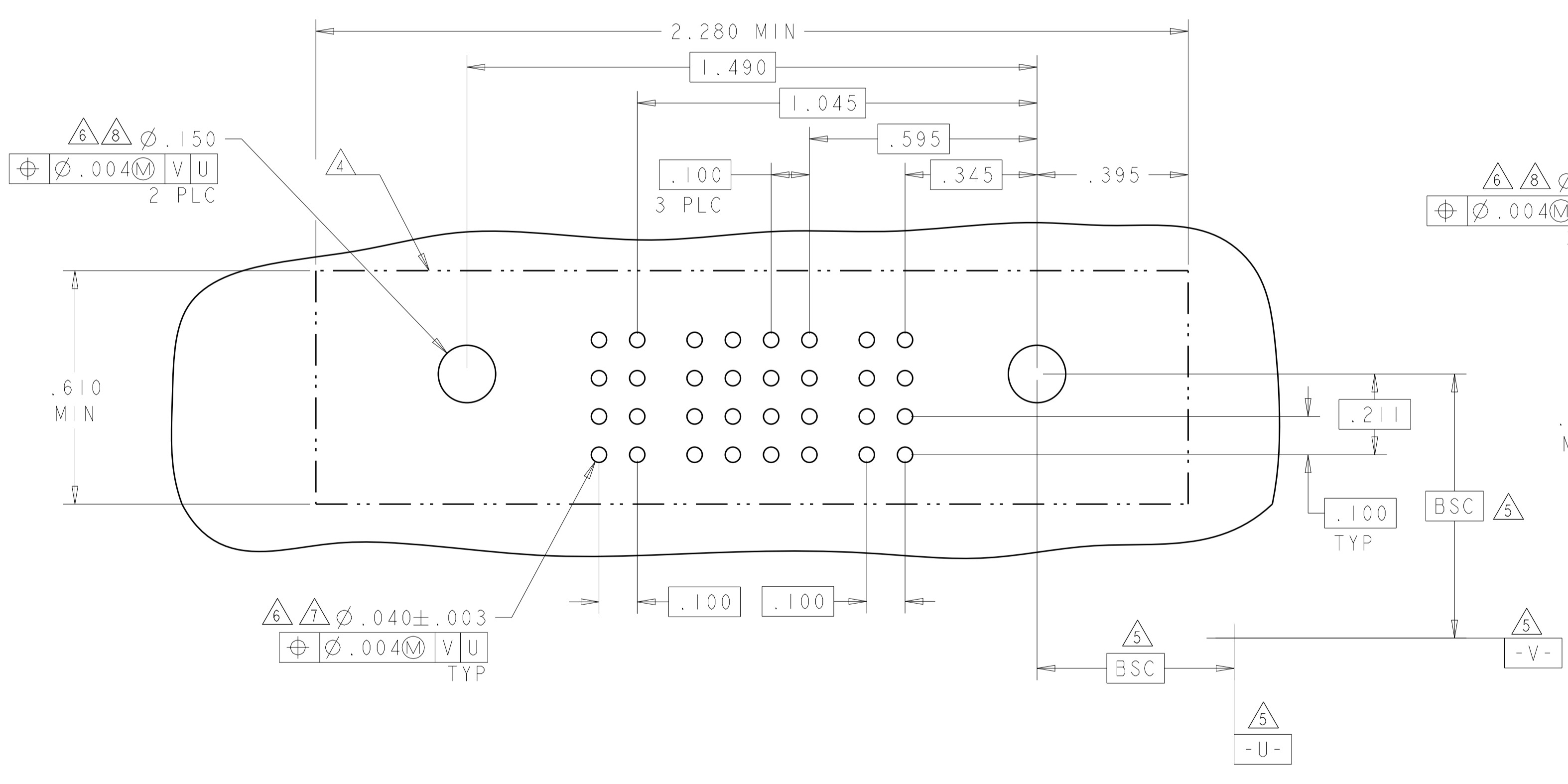
CUSTOMER DRAWING

SCALE: 4:1, SHEET: 1 OF 5, REV: A3

LOC		DIST		REVISIONS				
ES	00	P	LTH	DESCRIPTION	DATE	DNW	APVD	
-	-	-	-	SEE SHEET 1	-	-	-	

PART NUMBER	ROWS		POWER		SIGNAL				POWER	
			P2		4	3	2	1	PI	
6450740-4	D C B A		VA	E	E	E	E	E	VM	
				E	E	E	E	E		
				E	E	E	E	E		
				E	E	E	E	E		
IP + 16S + IP										

PART NUMBER	ROWS		POWER		SIGNAL					POWER		
			P2		6	5	4	3	2	1	PI	
6450740-5	D C B A		VA	E	E	E	E	E	E	E	VM	
				E	E	E	E	E	E	E		
				E	E	E	E	E	E	E		
				E	E	E	E	E	E	E		
IP + 24S + IP												



THIS DRAWING IS A CONTROLLED DOCUMENT.

DIMENSIONS: INCHES	TOLERANCES UNLESS OTHERWISE SPECIFIED: 0 PLC ±. 1 PLC ±.01 2 PLC ±.01 3 PLC ±.005 4 PLC ±.0020 ANGLES ±.7°	DNW D. ZHU 17 JUL 2007	CHK S. ZHAO 17 JUL 2007	APVD S. YAO	NAME VERTICAL RECEPTACLE ASSEMBLY WITH LATCH RECEIVERS MULTI-BEAM XL
MATERIAL	FINISH	PRODUCT SPEC 108-1973	APPLICATION SPEC 114-13038	WEIGHT	RESTRICTED TO
CUSTOMER DRAWING		SCALE 4:1	SHEET 2	OF 5	REV A3

STC TE Connectivity

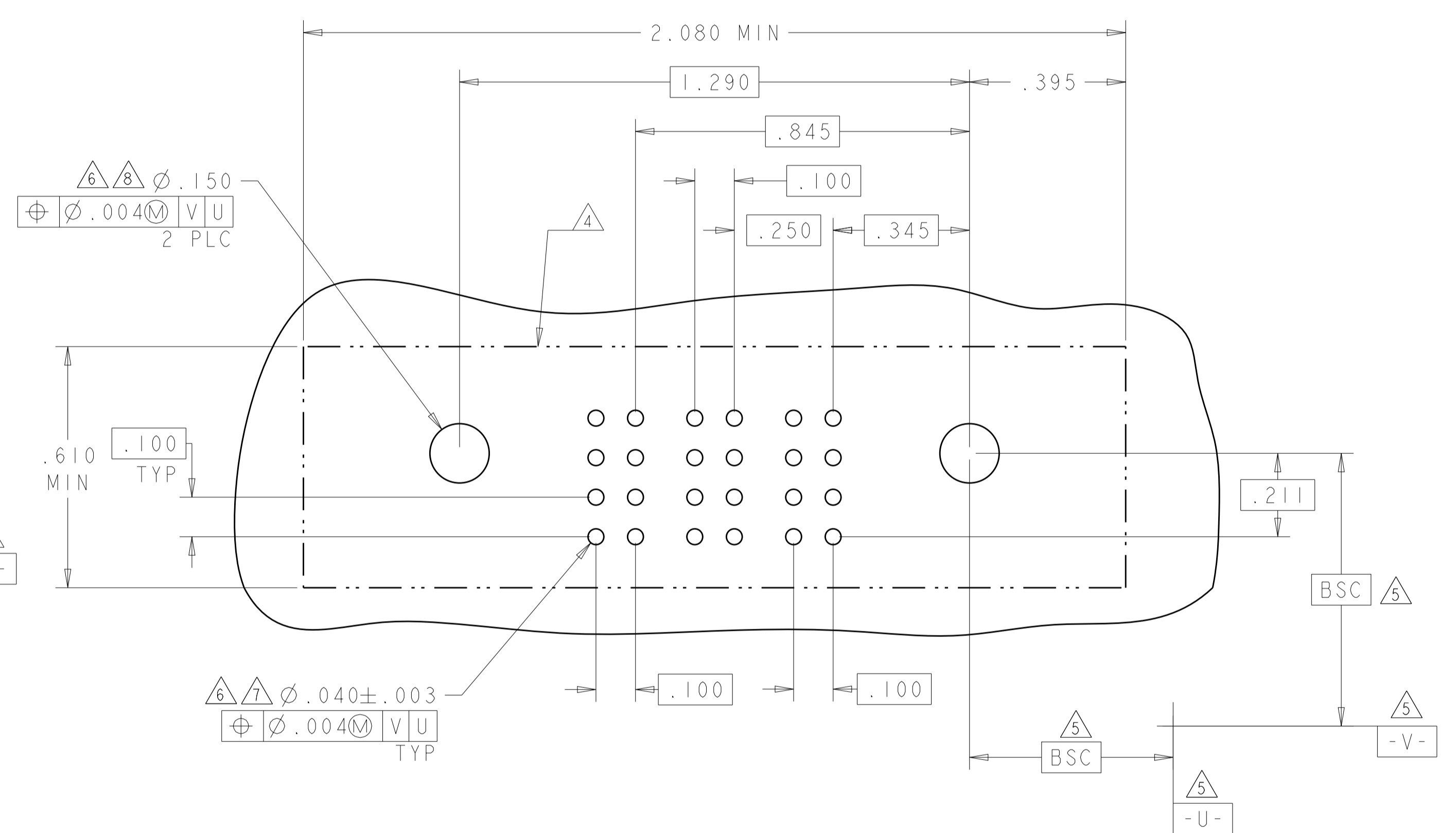
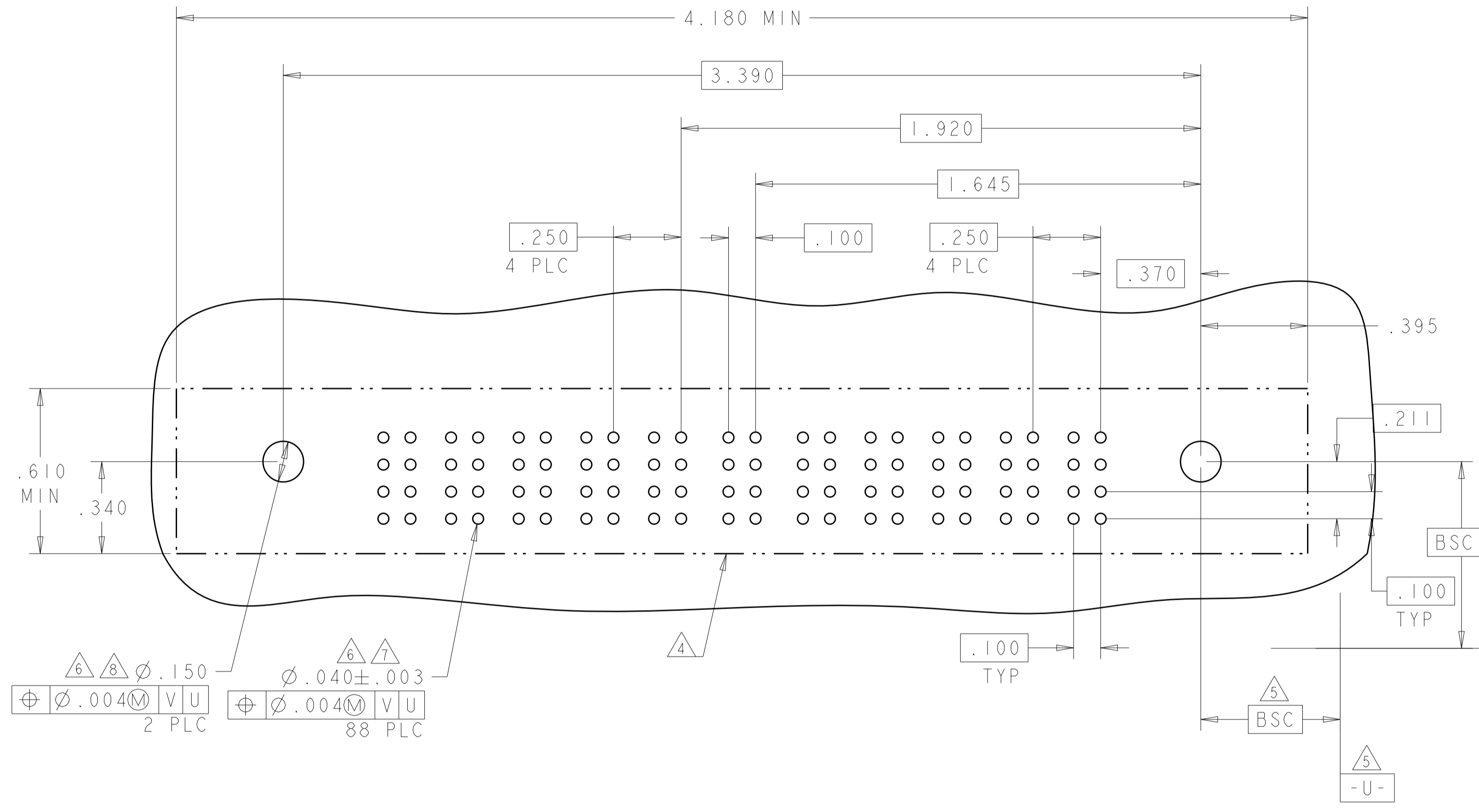
SIZE CAGE CODE DRAWING NO  
A1 00779 C=6450740



LOC	DIST	REVISIONS			
P	LTN	DESCRIPTION	DATE	DMN	APVD
ES	00	SEE SHEET 1	-	-	-

PART NUMBER	ROWS	POWER					SIGNAL					POWER				
		PI0	P9	P8	P7	P6	2	I	P5	P4	P3	P2	PI			
6450740-9	D C B A	VM	VM	VM	VM	VM	E	E	VM	VM	VM	VM	VM			
5P + 8S + 5P																

PART NUMBER	ROWS	POWER		SIGNAL		POWER	
		P2	2	I	PI		
I-6450740-0	D C B A	VA	E	E	VM		
IP + 8S + IP							

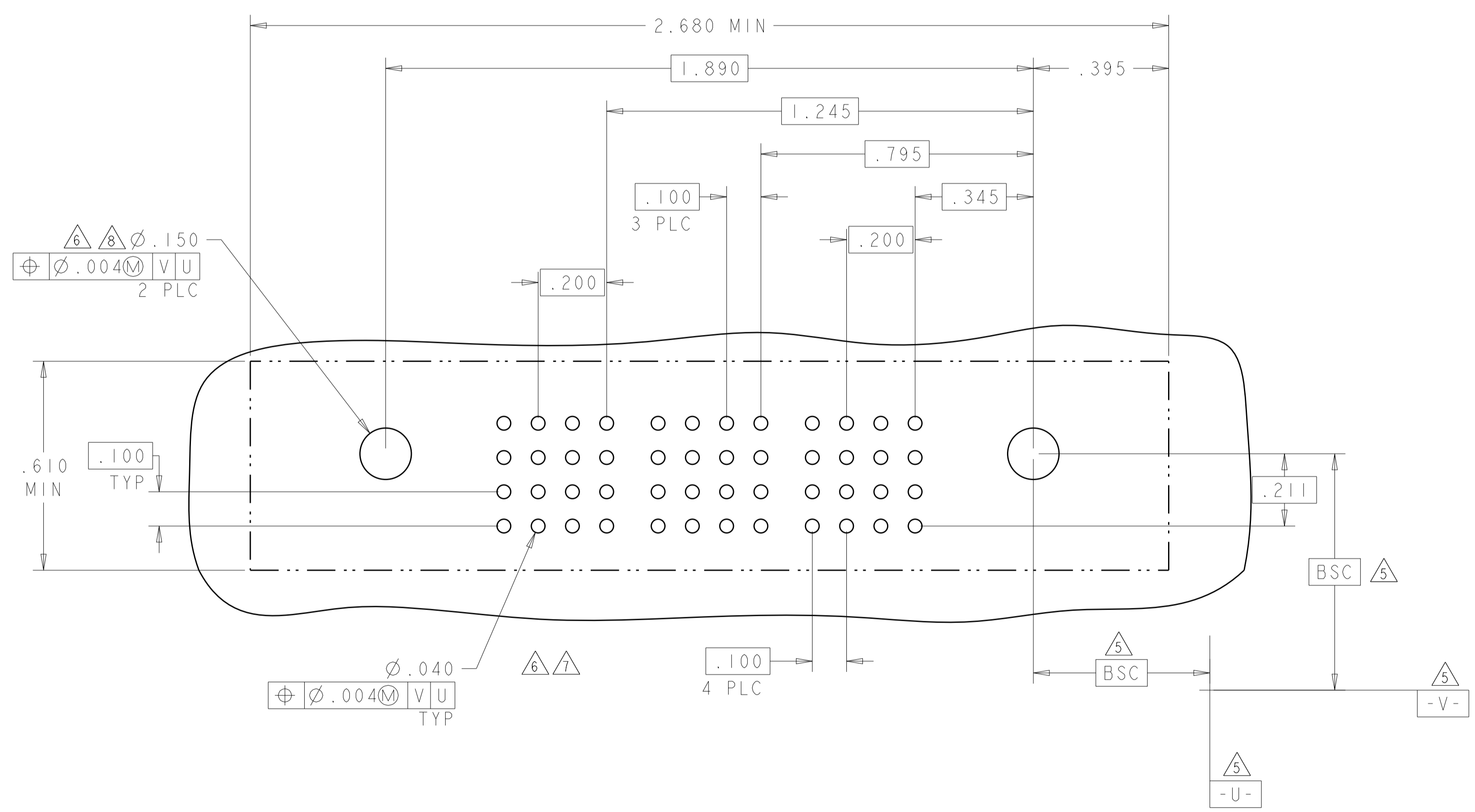


THIS DRAWING IS A CONTROLLED DOCUMENT.		DMN D. ZHU 17 JUL 2007	TE Connectivity
DIMENSIONS: INCHES		CHK S. ZHAO 17 JUL 2007	
TOLERANCES UNLESS OTHERWISE SPECIFIED:		APVD S. YAO	NAME VERTICAL RECEPTACLE ASSEMBLY WITH LATCH RECEIVERS MULTI-BEAM XL
0 PLC ±.01		PRODUCT SPEC 108-1973	SIZE 114-13038
1 PLC ±.01		APPLICATION SPEC	RESTRICTED TO
2 PLC ±.005		WEIGHT	A100779C=6450740
3 PLC ±.002		CUSTOMER DRAWING	SCALE 4:1 SHEET 4 OF 5 REV A3
ANGLES ±.020			
FINISH			

LOC		DIST		REVISIONS				
ES	00	P	LTN	DESCRIPTION	DATE	DMN	APVD	
-	-	-	-	SEE SHEET 1	-	-	-	

A2

PART NUMBER	ROWS	POWER	SIGNAL				POWER		
			P4	P3	4	3	2	1	P2
I-6450740-1	D	VA	VA	E	E	E	E	VM	VM
	C			E	E	E	E		
	B			E	E	E	E		
	A			E	E	E	E		
2P + 16S + 2P									



THIS DRAWING IS A CONTROLLED DOCUMENT.		DMN D. ZHU	17 JUL 2007	TE Connectivity
DIMENSIONS: INCHES		CHK S. ZHAO	17 JUL 2007	
TOLERANCES UNLESS OTHERWISE SPECIFIED: 0 PLC ±. 1 PLC ±.01 2 PLC ±.01 3 PLC ±.005 4 PLC ±.0020 ANGLES ±.2° FINISH		APVD S. YAO	-	NAME VERTICAL RECEPTACLE ASSEMBLY WITH LATCH RECEIVERS MULTI-BEAM XL
MATERIAL		PRODUCT SPEC 108-1973		RESTRICTED TO
SCALE 4:1		APPLICATION SPEC 114-13038		SIZE CAGE CODE DRAWING NO A100779C=6450740
SHEET 5 OF 5		WEIGHT		REV A3
CUSTOMER DRAWING		SCALE 4:1		REV A3