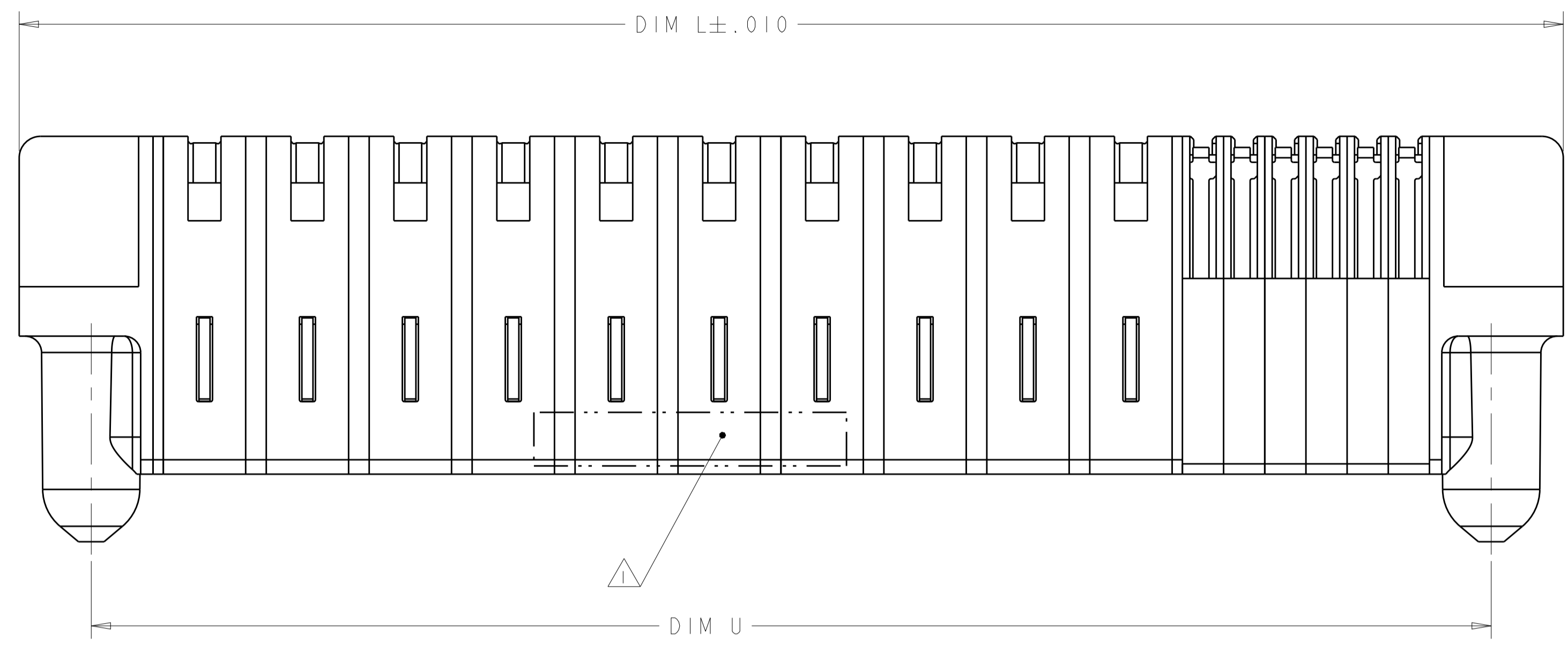
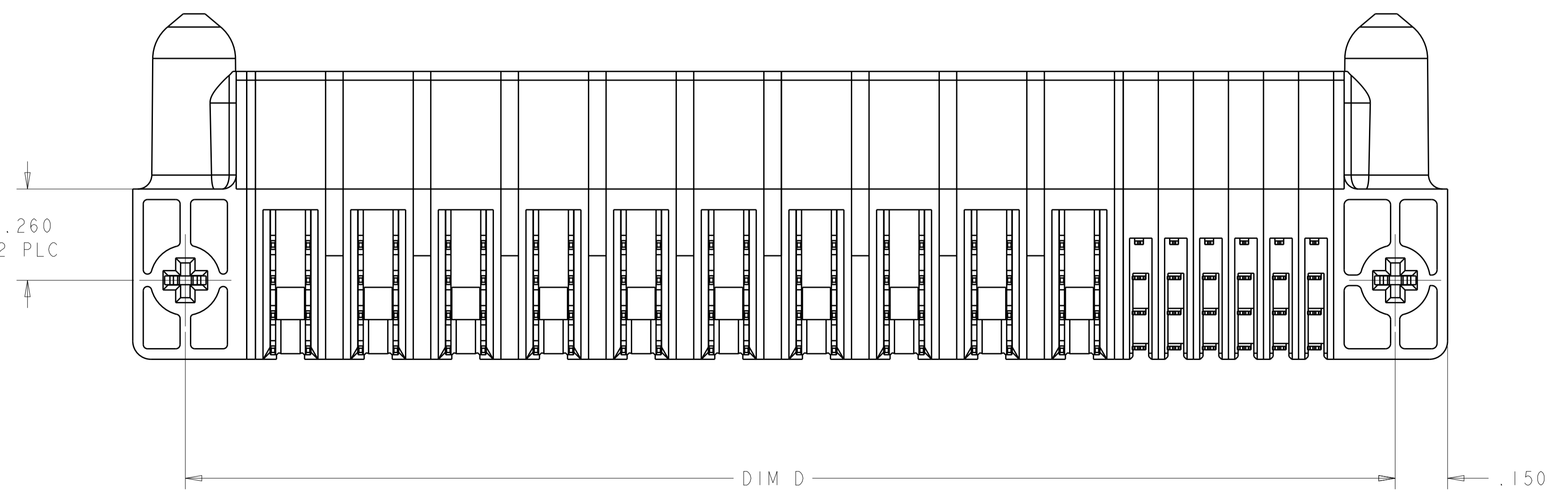
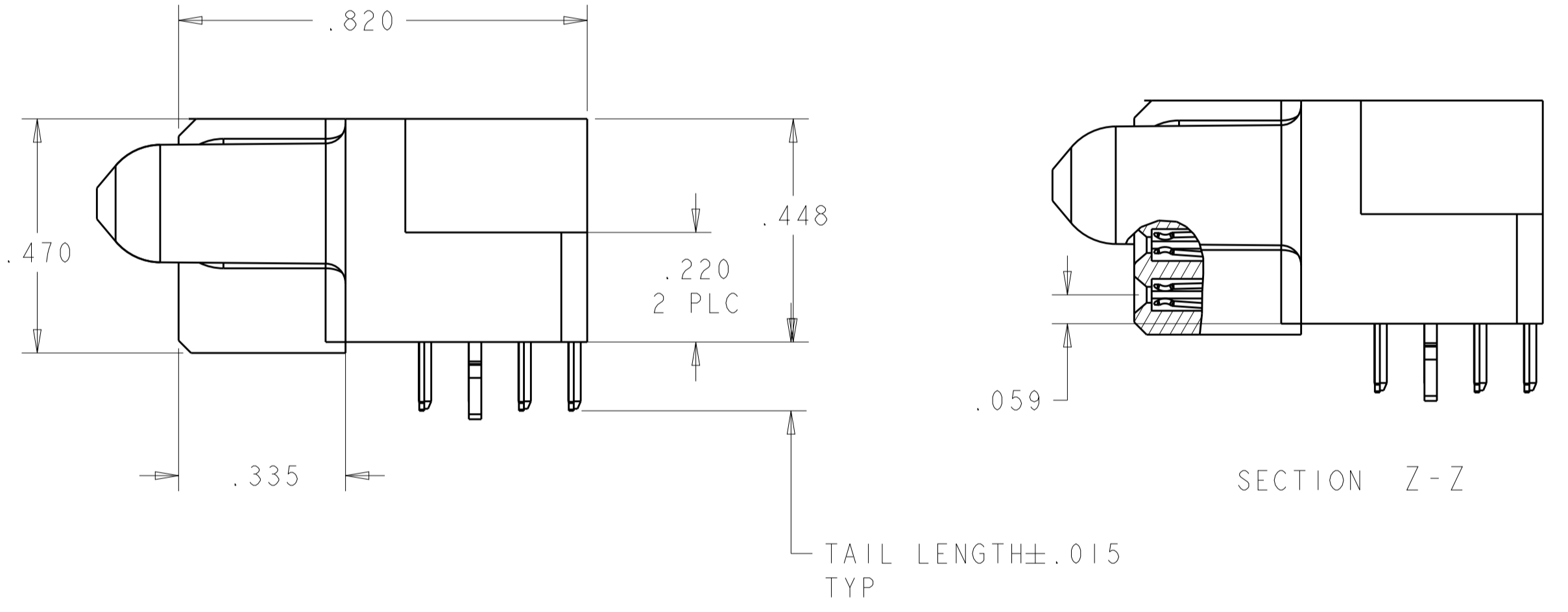
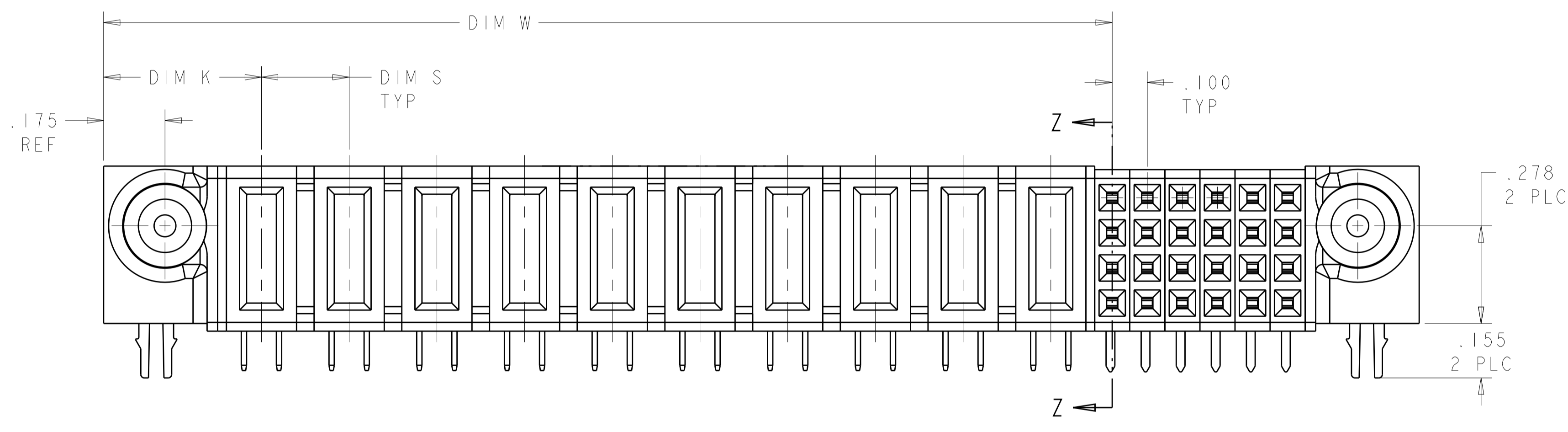


LOC	DIST	REVISIONS					
		P	LTN	DESCRIPTION	DATE	DMN	APVD
ES	00						
	D5			REV PER ECR-12-018919	31OCT2012	ML	SZ
	D6			UPDATED	12NOV2012	ML	SZ
	D7			REV PER ECR-13-006264	15APR2013	CZ	SZ



- 1 "AMP", PART NUMBER, AND DATE CODE TO BE MARKED IN AREA SHOWN.
- 2 MATERIAL: HOUSING - GLASS FILLED HIGH TEMP THERMO PLASTIC, UL94 V-0
 SIGNAL CONTACT - HIGH CONDUCTIVITY COPPER ALLOY
 POWER CONTACT - HIGH CONDUCTIVITY COPPER ALLOY
- 3 CONTACT PLATING: NOBLE METAL PLATING ON CONTACT FUNCTIONAL AREA OF POWER AND SIGNAL CONTACTS.
- 4 MECHANICAL CONNECTOR KEEP OUT ZONE.
- 5 DATUM AND BASIC DIMENSIONS ESTABLISHED BY CUSTOMER.
- 6 PCB - ALL HOLE DIAMETERS ARE FINISHED HOLE SIZES.
- 7 PCB - .0453 +/- .0010 DRILLED HOLES PLATED WITH .0003 MIN Sn OVER .001 TO .003 PLATING TO ACHIEVE A .040 DIA. HOLE.
- 8 RECEPTACLE ASSY HAS ONE MOUNTING HOLE AND ONE HOLD DOWN.
- 9 NOT RELEASED FOR PRODUCTION.



	2.400	.250	1.875	2.450	-	2.750	.450	24S + 6P	I-6450161-7
	1.600	.250	1.375	1.650	-	1.950	.450	12S + 4P	I-6450161-6
	1.600	.250	1.375	1.650	-	1.950	.450	12S + 4P	I-6450161-5
	1.700	.250	1.375	1.750	-	2.050	.450	16S + 4P	I-6450161-3
	3.800	.250	2.875	3.850	-	4.150	.450	40S + 10P	I-6450161-1
	1.800	.250	1.375	1.850	-	2.150	.450	20S + 4P	I-6450161-0
9	1.400	.250	1.375	1.450	-	1.750	.450	4S + 4P	6450161-7
	2.900	.250	2.375	2.950	-	3.250	.450	24S + 8P	6450161-6
	1.800	.250	1.375	1.850	-	2.150	.450	20S + 4P	6450161-5
	4.400	.250	3.875	4.450	-	4.750	.450	24S + 14P	6450161-4
	3.400	.250	2.875	3.450	-	3.750	.450	24S + 10P	6450161-3
	2.400	.250	1.875	2.450	-	2.750	.450	24S + 6P	6450161-2
8	1.700	.250	1.375	1.750	-	2.050	.450	16S + 4P	6450161-1
	DIM U	DIM S	DIM W	DIM D	DIM M	DIM L	DIM K	DESCRIPTION	PART NUMBER

THIS DRAWING IS A CONTROLLED DOCUMENT. DWN: R. GRZYBOWSKI, Z1FEB05
 CHK: M. PERCZERKE, Z1FEB05
 APVD: M. PERCZERKE

DIMENSIONS: INCHES. TOLERANCES UNLESS OTHERWISE SPECIFIED:
 0 PLC ±.01
 1 PLC ±.01
 2 PLC ±.01
 3 PLC ±.005
 4 PLC ±.002
 ANGLES ±.0020

MATERIAL: FINISH: 2

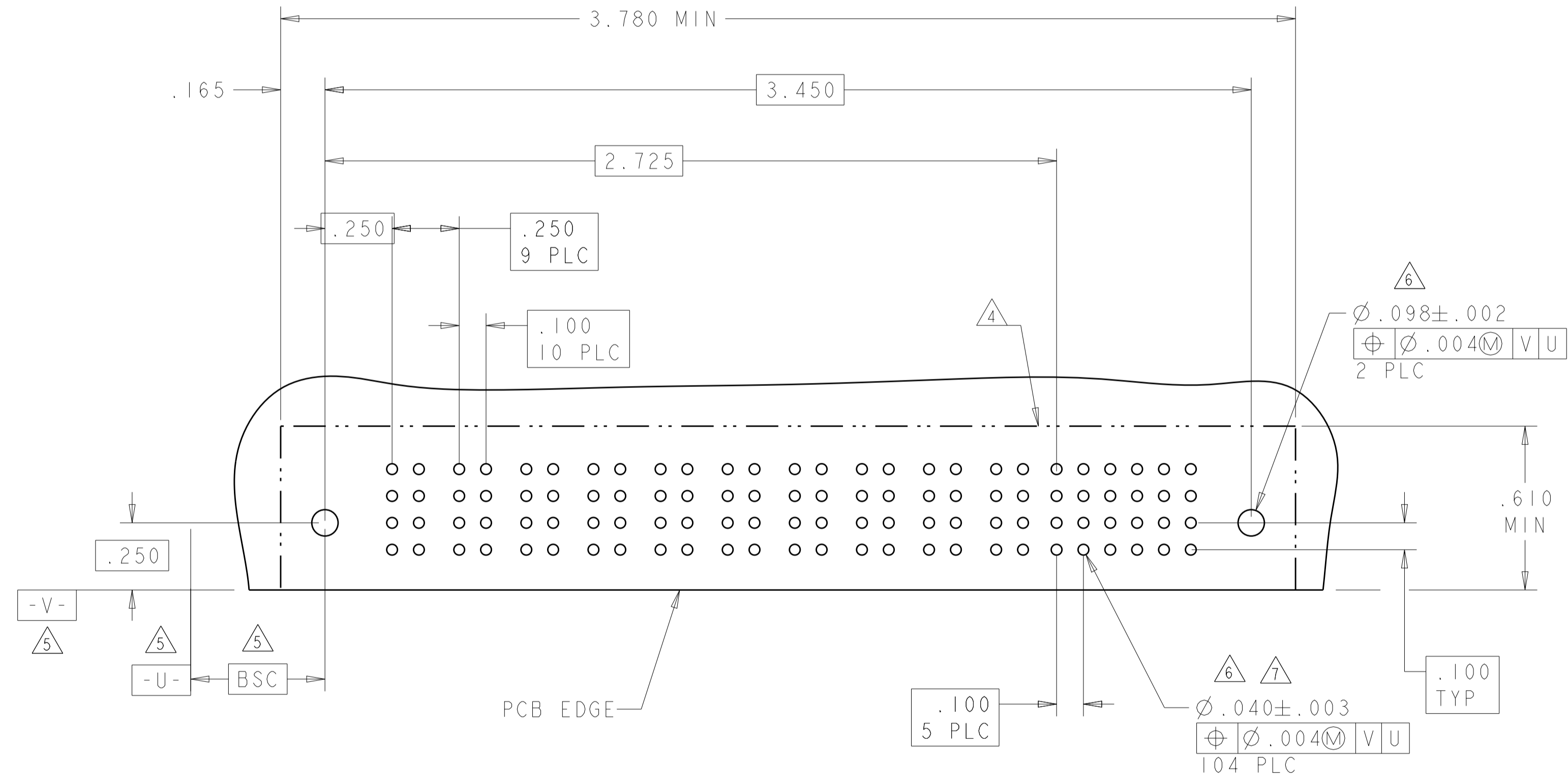
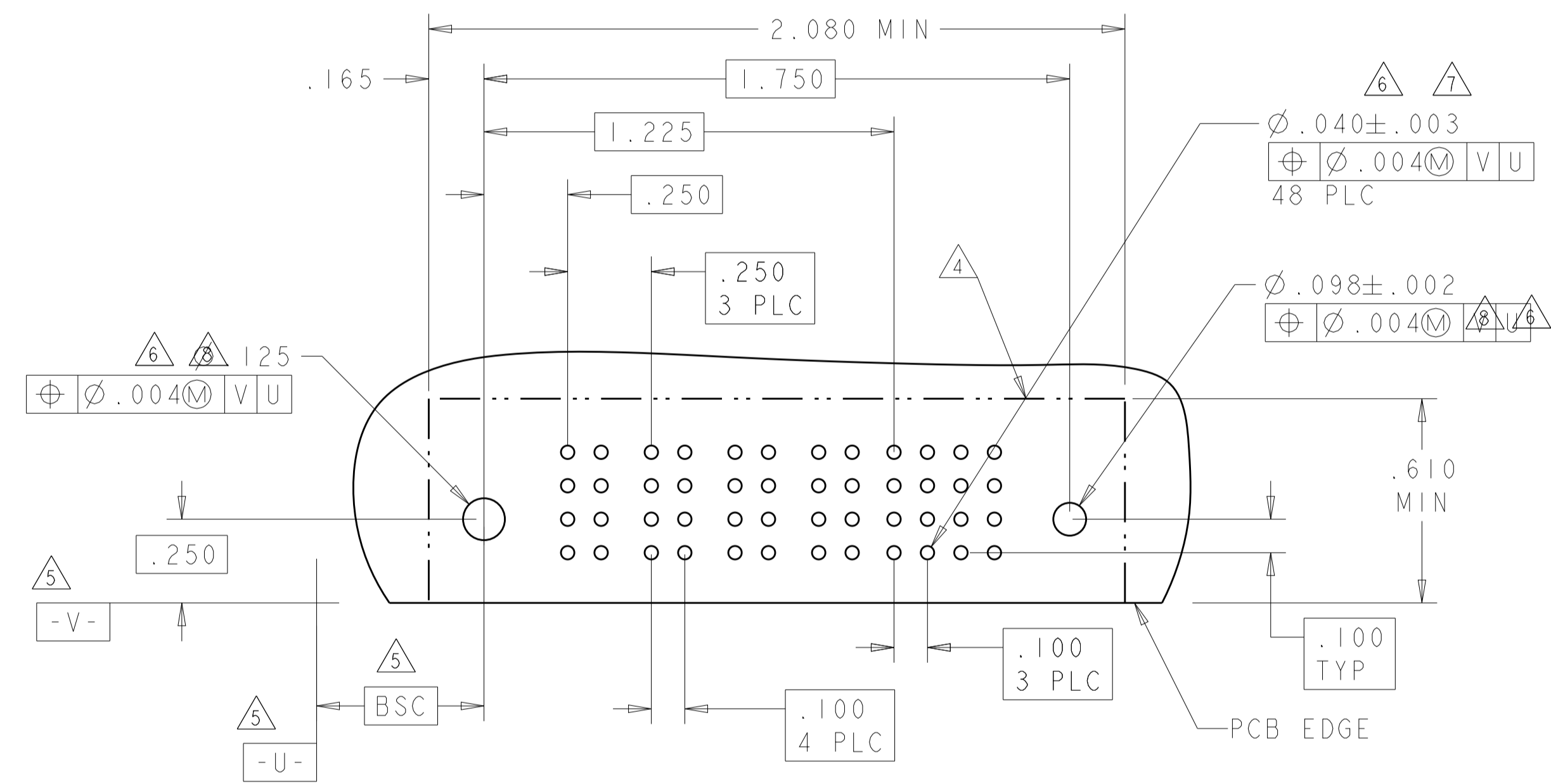
NAME: RIGHT ANGLE RECEPTACLE ASSEMBLY WITH GUIDES, END MODULES MULTI-BEAM XL
 PRODUCT SPEC: 108-1973
 APPLICATION SPEC: 114-13038
 WEIGHT: CUSTOMER DRAWING

SCALE: 4:1 SHEET 1 OF 6 REV: D7

LOC	DIST	REVISIONS					
		P	LTN	DESCRIPTION	DATE	DWN	APVD
ES	00	-	-	SEE SHEET 1	-	-	-

PART NUMBER	ROWS	POWER				SIGNAL				HD
		P4	P3	P2	P1	4	3	2	1	
6450161-1	D C B A	RA	RA	RA	RA	H	H	H	H	HD
		RA	RA	RA	RA	G	G	G	G	
		RA	RA	RA	RA	F	F	F	F	
		RA	RA	RA	RA	E	E	E	E	
16S + 4P										

PART NUMBER	ROWS	POWER										SIGNAL					HD				
		P10	P9	P8	P7	P6	P5	P4	P3	P2	P1	6	5	4	3	2		1			
6450161-3	D C B A	RA	RA	RA	RA	RA	RA	RA	RA	RA	RA	RA	RA	RA	H	H	H	H	H	H	HD
		RA	RA	RA	RA	RA	RA	RA	RA	RA	RA	RA	RA	RA	G	G	G	G	G	G	
		RA	RA	RA	RA	RA	RA	RA	RA	RA	RA	RA	RA	RA	F	F	F	F	F	F	
		RA	RA	RA	RA	RA	RA	RA	RA	RA	RA	RA	RA	RA	E	E	E	E	E	E	
24S + 10P																					



CODE	TAIL LENGTH	DESCRIPTION	CODE	TAIL LENGTH	ROW
RM	.135	STD	L	.090	D
RA	.135	MFBL	K	.090	C
RN	.090	STD	J	.090	B
RB	.090	MFBL	I	.090	A
			H	.135	D
			G	.135	C
			F	.135	B
			E	.135	A

POWER CONTACT			SIGNAL CONTACT		
RM	.135	STD	L	.090	D
RA	.135	MFBL	K	.090	C
RN	.090	STD	J	.090	B
RB	.090	MFBL	I	.090	A

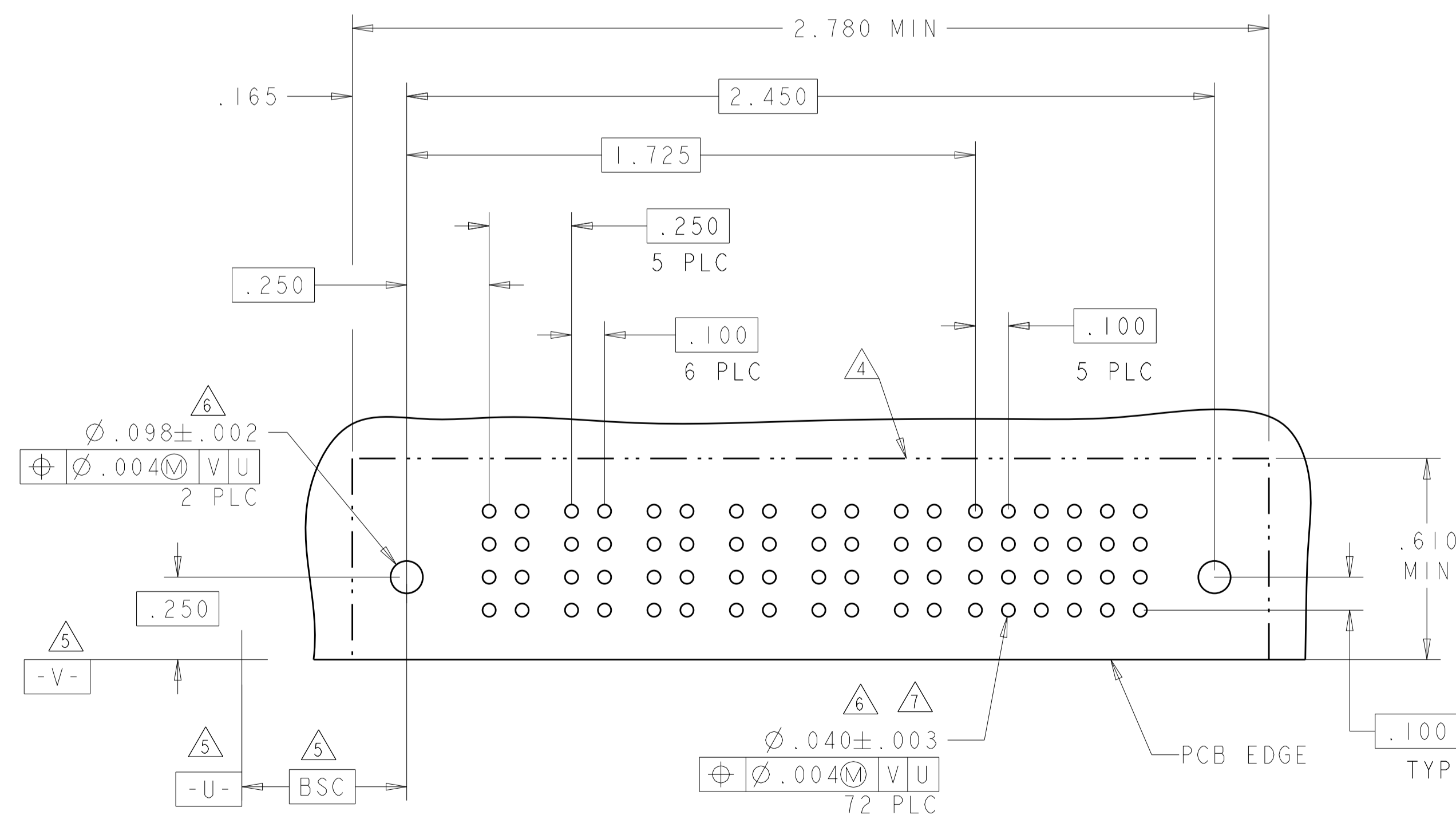
THIS DRAWING IS A CONTROLLED DOCUMENT.		DWN	R. GRZYBOWSKI	21FEB05
DIMENSIONS: INCHES		CHK	M. PERCERKE	21FEB05
TOLERANCES UNLESS OTHERWISE SPECIFIED:		APVD	M. PERCERKE	
0 PLC	±	NAME		
1 PLC	±.01	PRODUCT SPEC		
2 PLC	±.01	108-1973		
3 PLC	±.005	APPLICATION SPEC		
4 PLC	±.0020	114-13038		
ANGLES	±.0020	WEIGHT		
MATERIAL		1100779C=6450161		
FINISH		CUSTOMER DRAWING		

		RIGHT ANGLE RECEPTACLE ASSEMBLY WITH GUIDES, END MODULES MULTI-BEAM XL	
		SIZE	CAGE CODE DRAWING NO
A100779C=6450161		RESTRICTED TO	
SCALE 4:1		SHEET 2 OF 6	REV 07

PART NUMBER	ROWS	POWER						SIGNAL																							
		P6	P5	P4	P3	P2	P1	6	5	4	3	2	1																		
		6450161-2	D C B A	RA	RA	RA	RA	RA	RA	H	H	H	H	H	H	G	G	G	G	G	G	F	F	F	F	F	F	E	E	E	E
24S + 6P																															

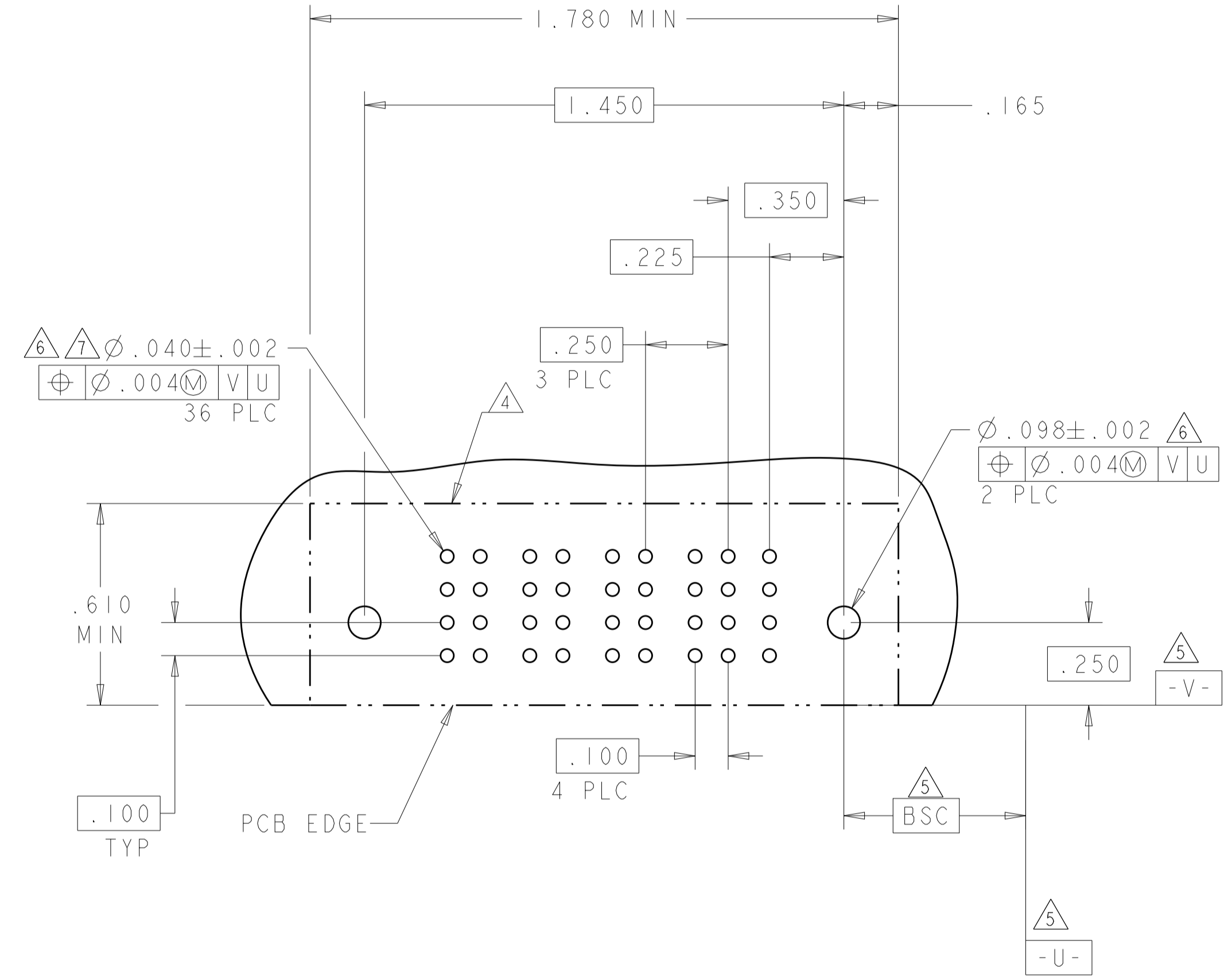
PART NUMBER	ROWS	POWER						SIGNAL																							
		P6	P5	P4	P3	P2	P1	6	5	4	3	2	1																		
		1-6450161-7	D C B A		RA	RA	RA	RA		H	H	H	H	H	H	G	G	G	G	G	G	F	F	F	F	F	F	E	E	E	E
24S + 6P																															

NO CONTACTS LOADED



PCB LAYOUT FOR PART NUMBER: 6450161-2, 1-6450161-7

PART NUMBER	ROWS	POWER				SIGNAL	
		P4	P3	P2	P1	I	I
6450161-7	D C B A	RM	RM	RM	RM	H	
						G	
						F	
						E	
4S + 4P							



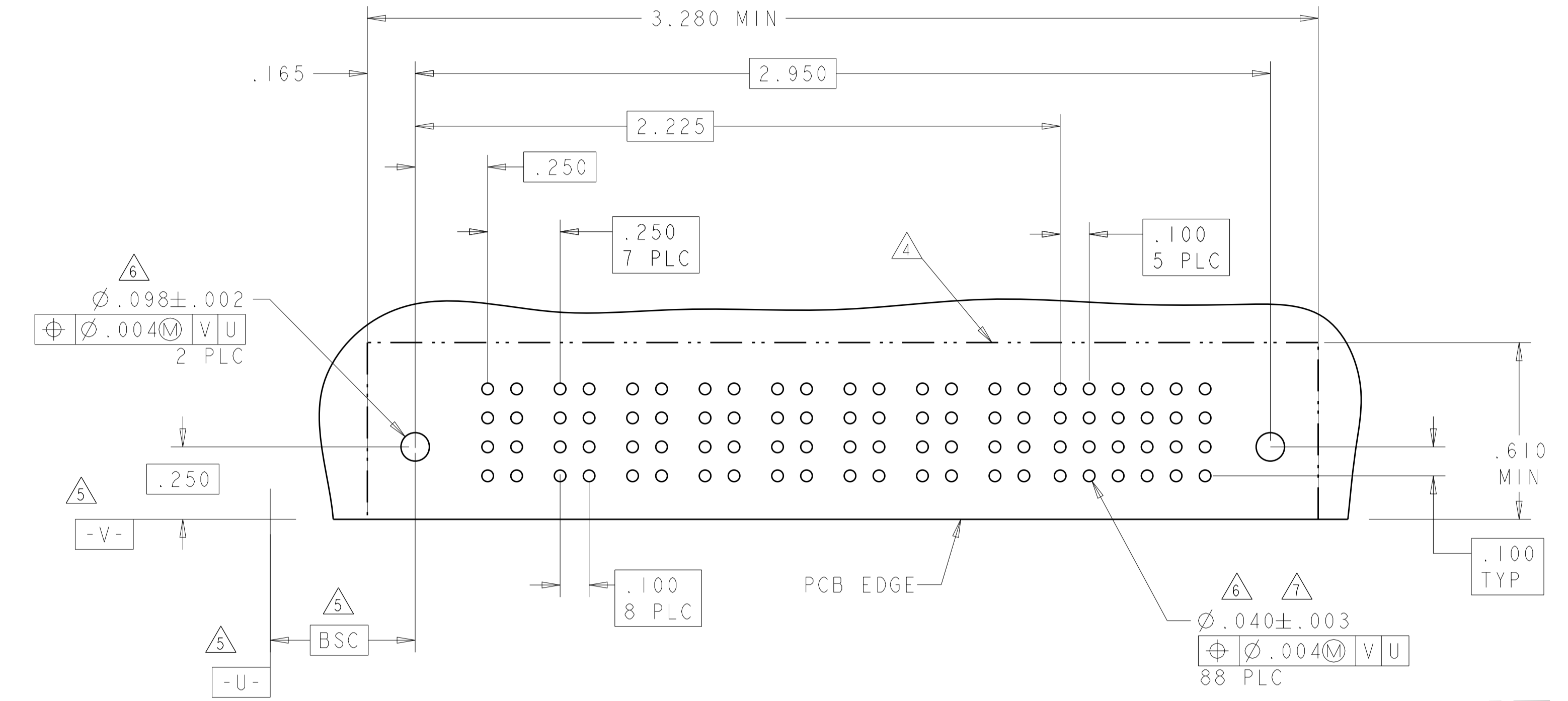
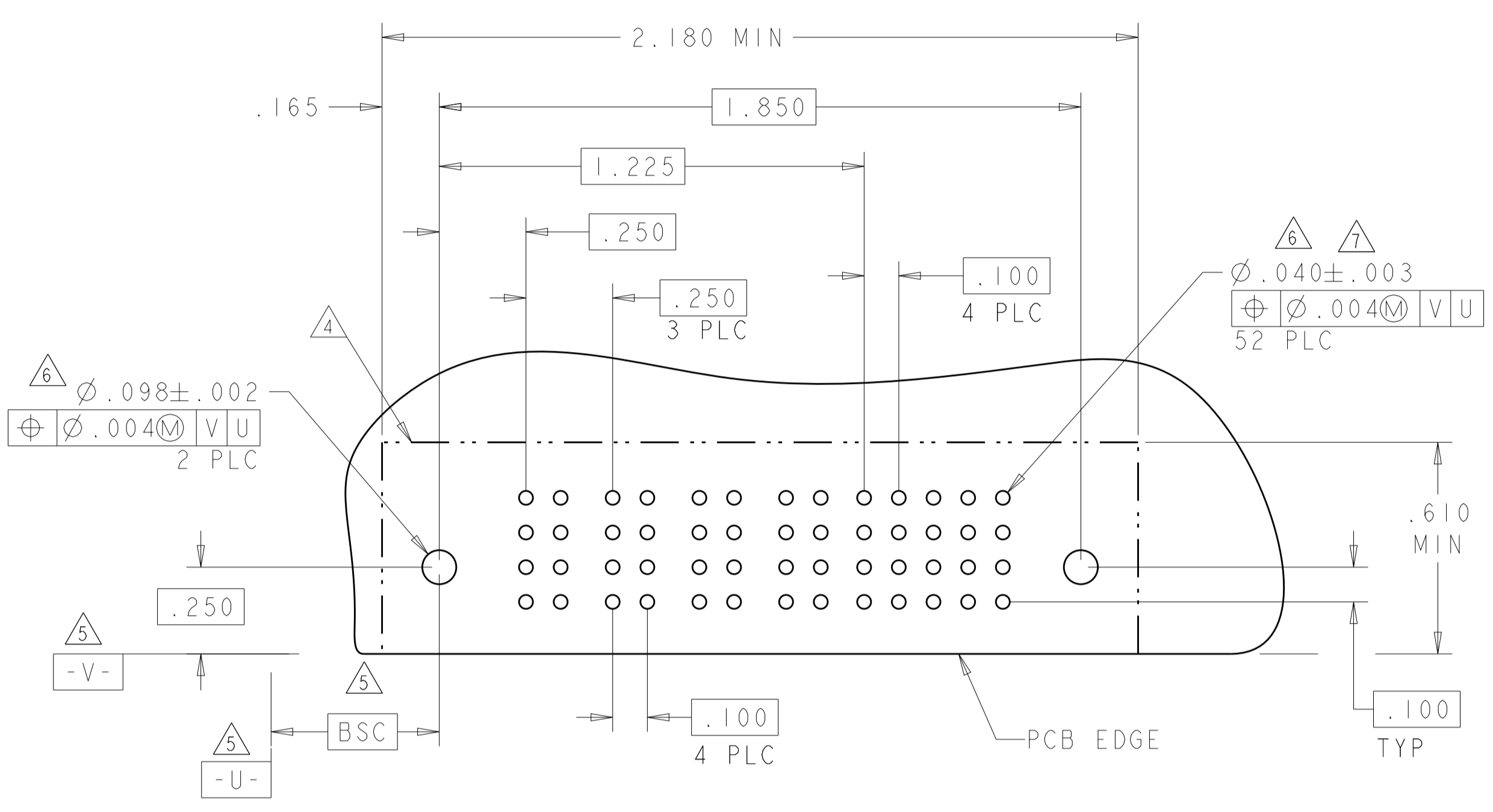
THIS DRAWING IS A CONTROLLED DOCUMENT.		DWN	TE TE Connectivity
DIMENSIONS:		CHK	
TOLERANCES UNLESS OTHERWISE SPECIFIED:		APVD	NAME
0 PLC ±		PRODUCT SPEC	
1 PLC ±		APPLICATION SPEC	
2 PLC ±		WEIGHT	SIZE CAGE CODE DRAWING NO RESTRICTED TO
3 PLC ±			A1
4 PLC ±			SCALE SHEET OF REV
ANGLES ±			
MATERIAL FINISH			

PART NUMBER	ROWS	POWER				SIGNAL				
		P4	P3	P2	P1	5	4	3	2	1
6450161-5	D C B A	RA	RA	RA	RA	H	H	H	H	H
						G	G	G	G	G
						F	F	F	F	F
						E	E	E	E	E

20S + 4P

PART NUMBER	ROWS	POWER								SIGNAL				
		P8	P7	P6	P5	P4	P3	P2	P1	6	5	4	3	2
6450161-6	D C B A	RA	RA	RA	RA	RA	RA	RA	RA	H	H	H	H	H
										G	G	G	G	G
										F	F	F	F	F
										E	E	E	E	E

24S + 8P

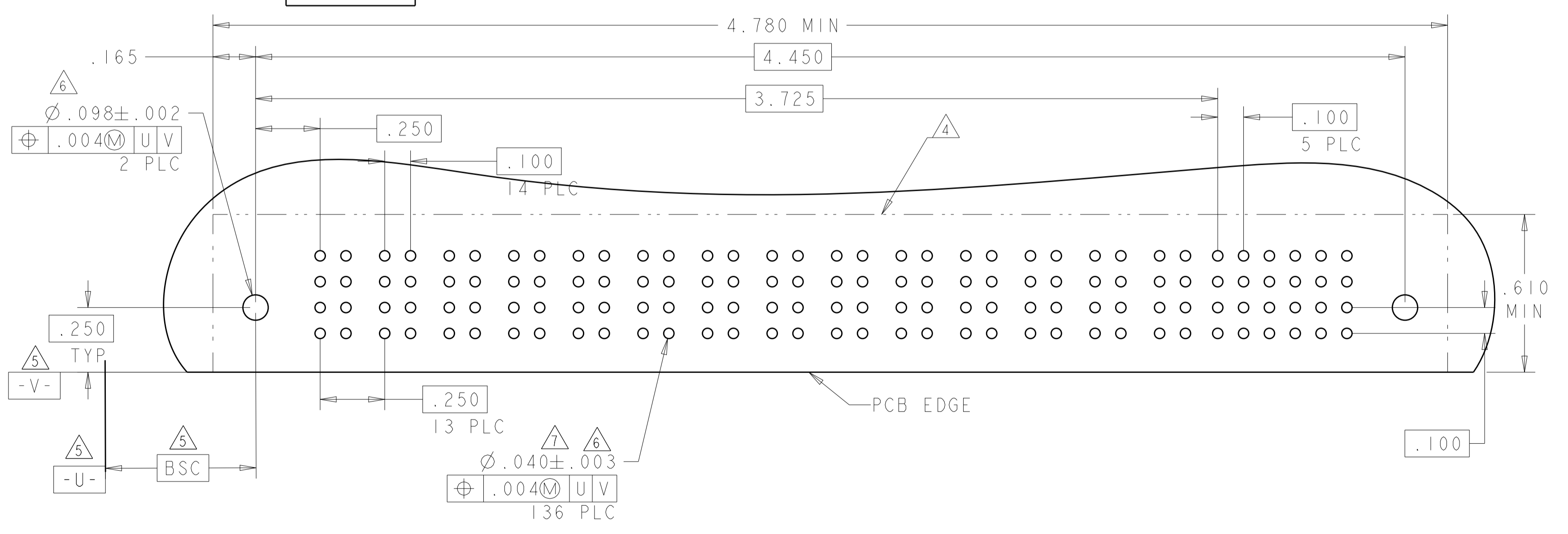
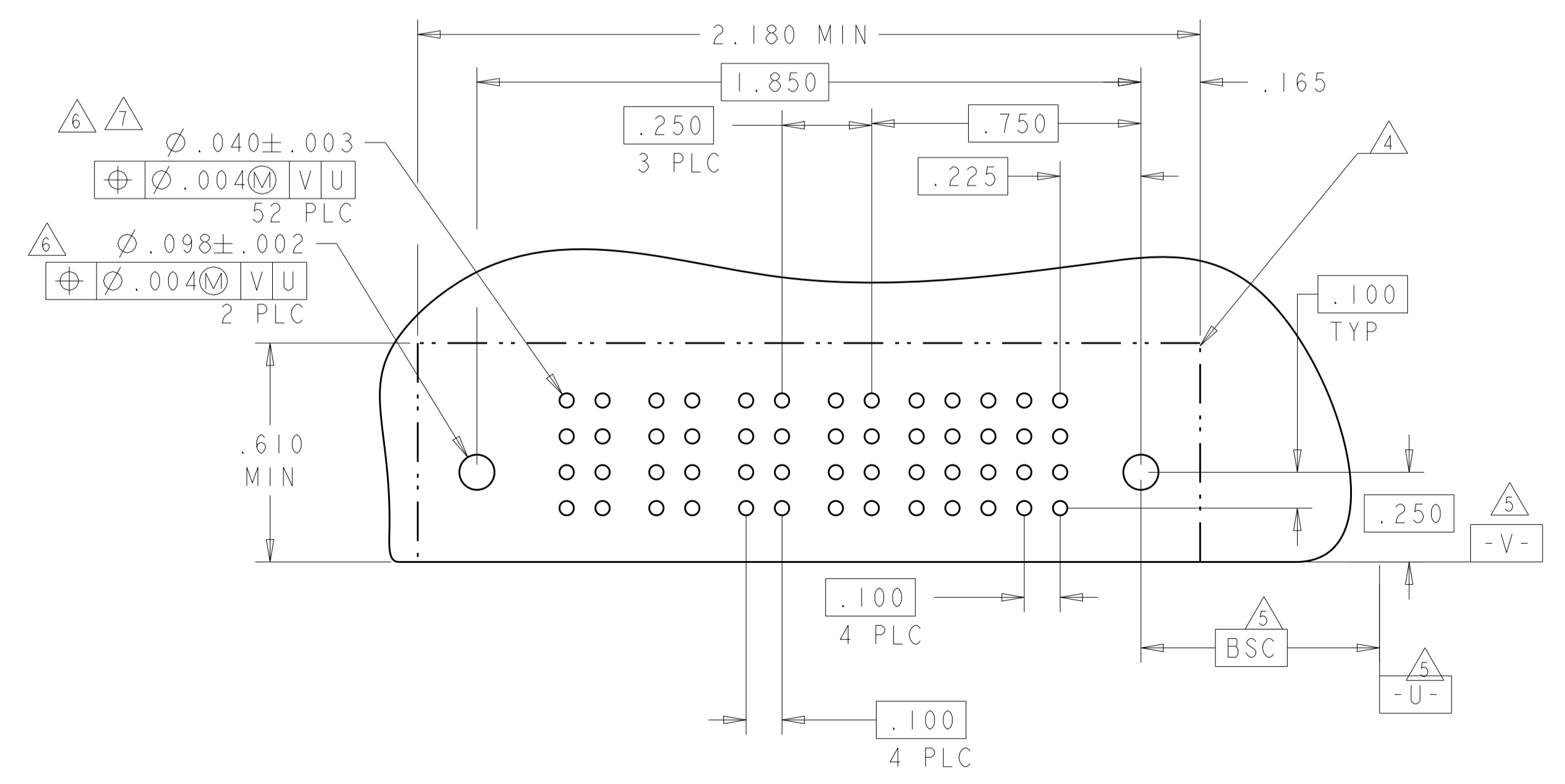


PART NUMBER	ROWS	POWER				SIGNAL				
		P4	P3	P2	P1	5	4	3	2	1
1-6450161-0	D C B A	RM	RM	RM	RM	H	H	H	H	H
						G	G	G	G	G
						F	F	F	F	F
						E	E	E	E	E

20S + 4P

PART NUMBER	ROWS	POWER														SIGNAL										
		P14	P13	P12	P11	P10	P9	P8	P7	P6	P5	P4	P3	P2	P1	6	5	4	3	2	1					
6450161-4	D C B A	RA	RA	RA	RA	RA	RA	RA	RA	RA	RA	RA	RA	RA	RA	RA	RA	RA	RA	RA	RA	H	H	H	H	H
																						G	G	G	G	G
																						F	F	F	F	F
																						E	E	E	E	E

24S + 14P

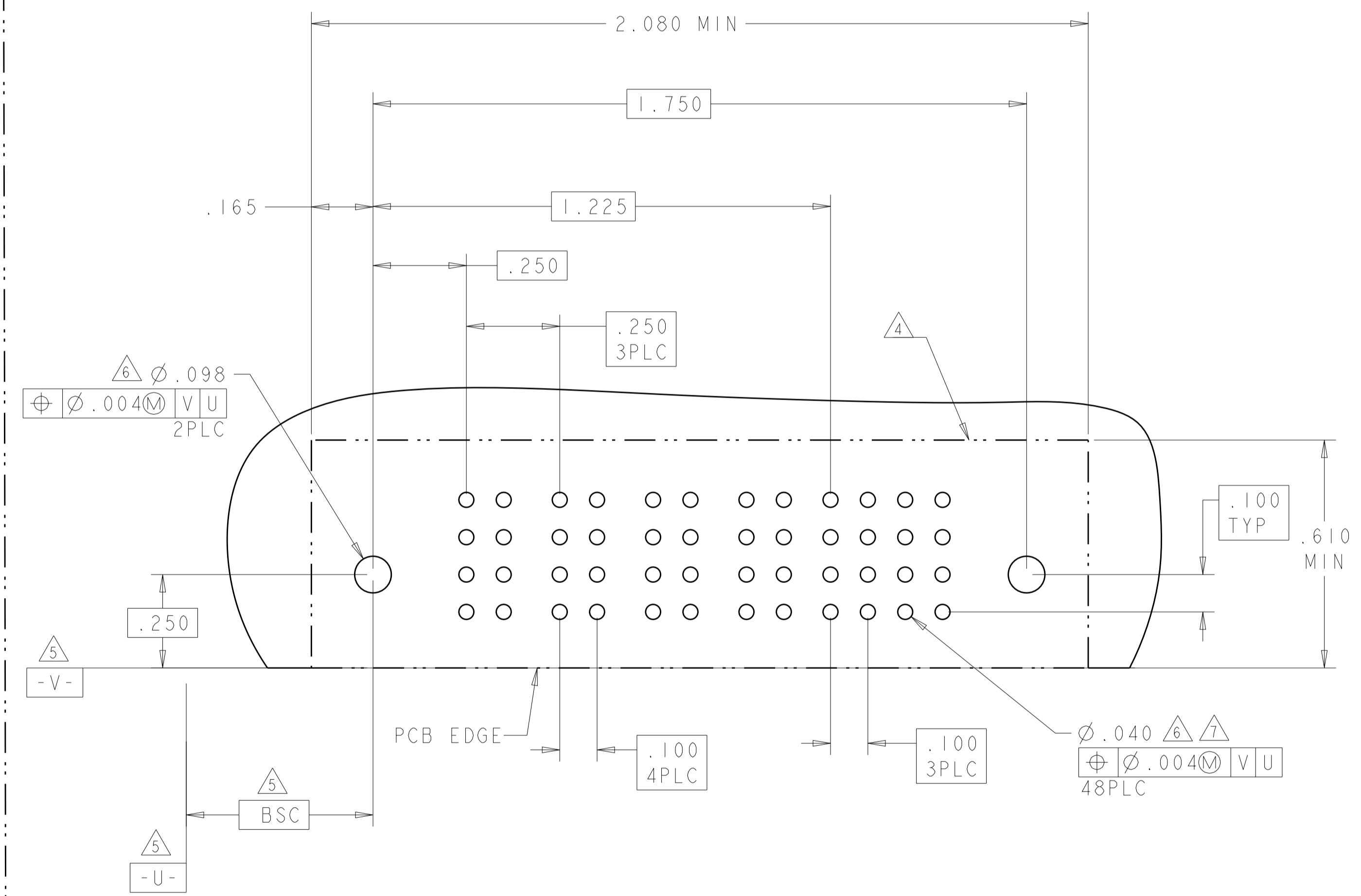
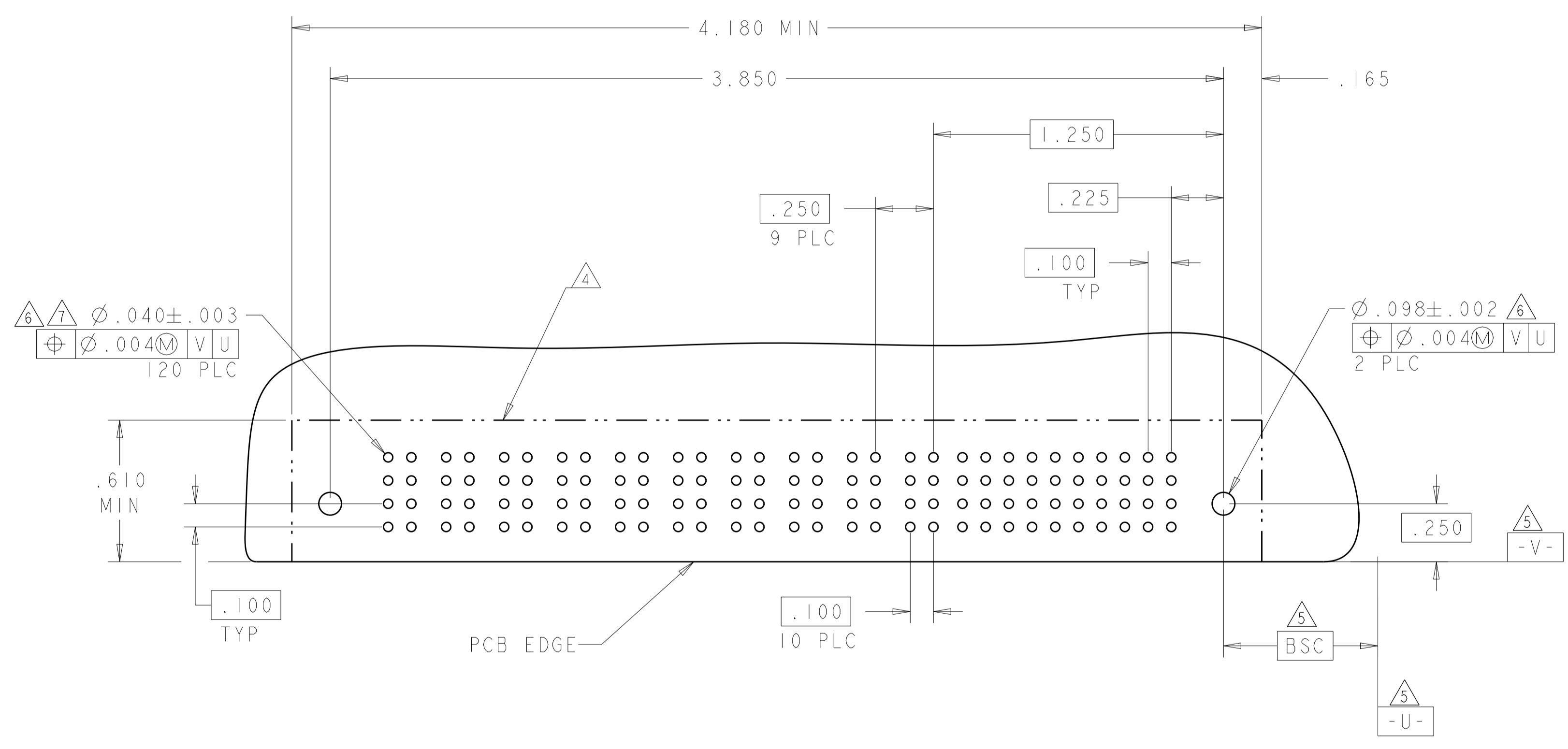


THIS DRAWING IS A CONTROLLED DOCUMENT.		OWN: R. GRZYBOWSKI 21FEB05	STE TE Connectivity
DIMENSIONS: INCHES		CHK: M. PERCERKE	
TOLERANCES UNLESS OTHERWISE SPECIFIED:		APVD: M. PERCERKE	RIGHT ANGLE RECEPTACLE ASSEMBLY WITH GUIDES, END MODULES MULTI-BEAM XL
0 PLC ±.01		PRODUCT SPEC	
1 PLC ±.01		APPLICATION SPEC	
2 PLC ±.01		108-1973	
3 PLC ±.005		114-13038	RESTRICTED TO
4 PLC ±.002		WEIGHT	A100779C=6450161
ANGLES ±.002		CUSTOMER DRAWING	SCALE 4:1 SHEET 4 OF 6 REV D7

LOC	DIST	REVISIONS					
ES	00	P	LTH	DESCRIPTION	DATE	OWN	APVD
		-		SEE SHEET 1			

PART NUMBER	ROWS	POWER										SIGNAL									
		P10	P9	P8	P7	P6	P5	P4	P3	P2	P1	I10	I9	I8	I7	I6	I5	I4	I3	I2	I1
1-6450161-1	D C B A	RM										H G F E									
		RM										H									
		RM										G									
		RM										F									
40S + 10P		RM										E									

PART NUMBER	ROWS	POWER				SIGNAL			
		P4	P3	P2	P1	4	3	2	1
1-6450161-3	D C B A	RA				H G F E			
		RA				H			
		RA				G			
		RA				F			
16S + 4P		RA				E			



THIS DRAWING IS A CONTROLLED DOCUMENT.

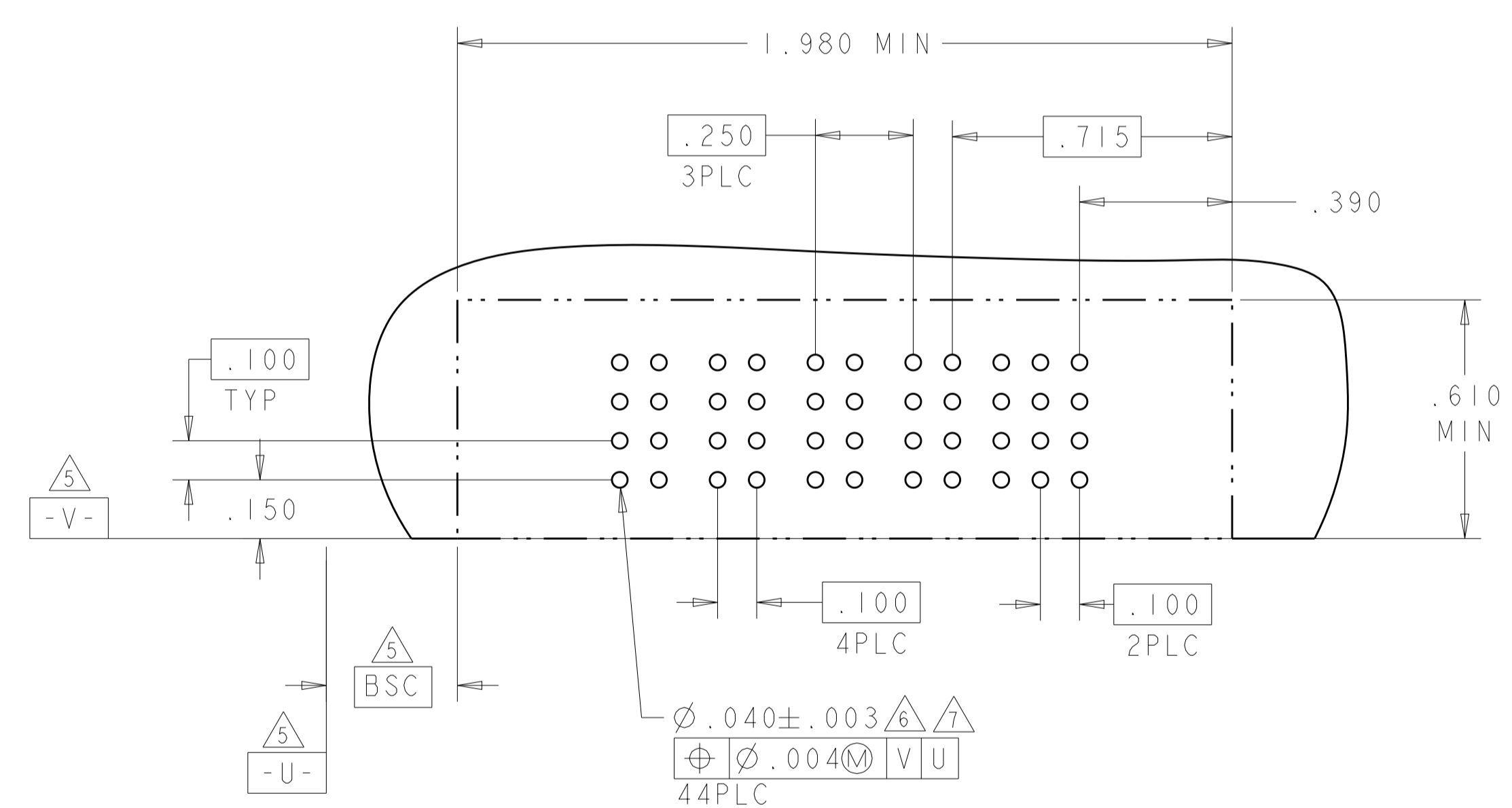
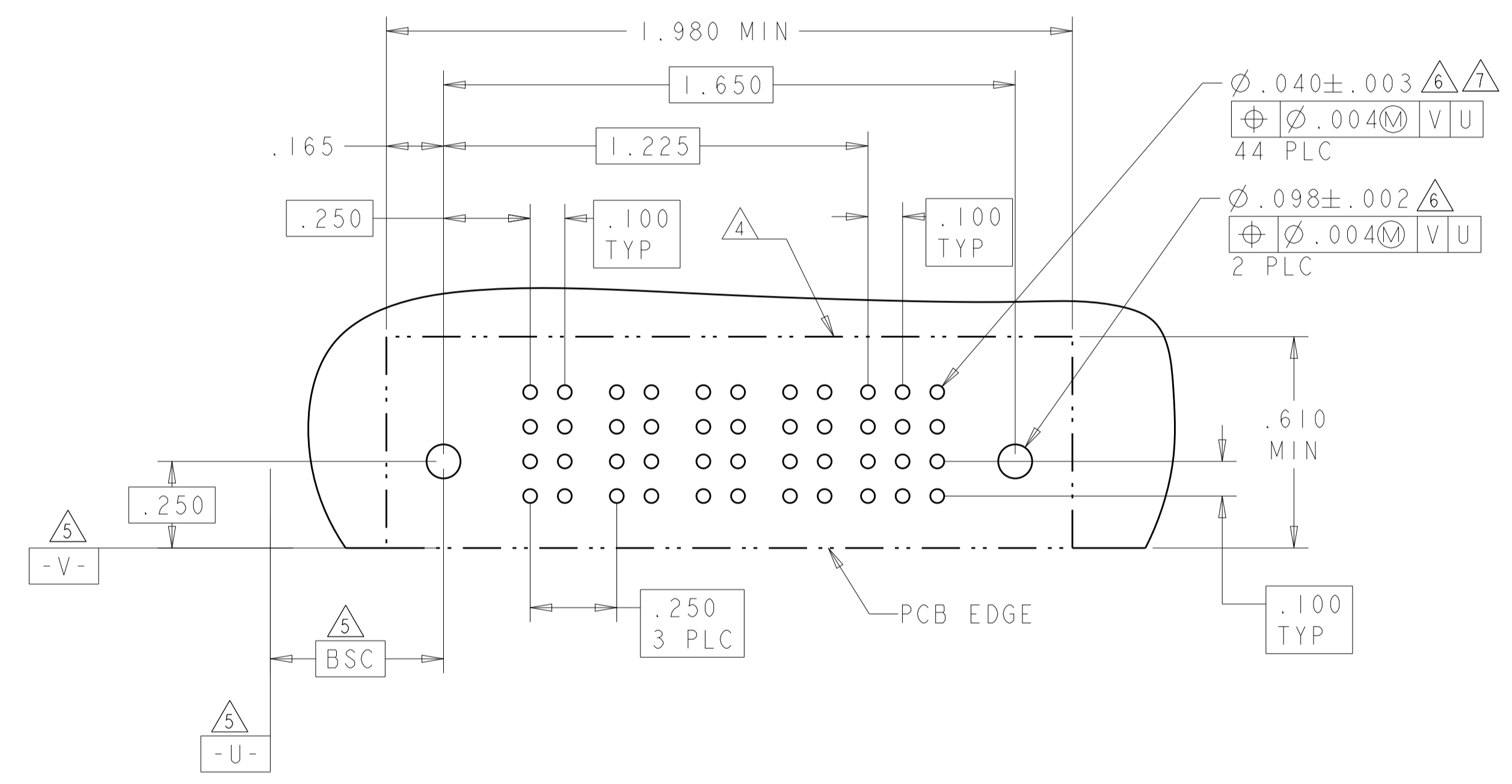
DIMENSIONS:	TOLERANCES UNLESS OTHERWISE SPECIFIED:	OWN: R. GRZYBOWSKI 21FEB05	CHK: M. PERCERKE 21FEB05	APVD: M. PERCERKE	NAME: R. GRZYBOWSKI
INCHES	0 PLC ± .01 1 PLC ± .01 2 PLC ± .01 3 PLC ± .005 4 PLC ± .002	PRODUCT SPEC: 108-1973	APPLICATION SPEC: 114-13038	SIZE: A1	CAGE CODE: 6450161
MATERIAL:	FINISH:	WEIGHT:	CUSTOMER DRAWING	SCALE: 4:1	SHEET 5 OF 6

RESTRICTED TO

LOC	DIST	REVISIONS			
P	LTN	DESCRIPTION	DATE	DMN	APVD
ES	00	SEE SHEET 1			

PART NUMBER	ROWS	POWER				SIGNAL		
		P4	P3	P2	P1	3	2	1
1-6450161-5	D C B A	RM	RM	RM	RM	H G F E	H G F E	H G F E
12S + 4P		HD						HD

PART NUMBER	ROWS	POWER				SIGNAL		
		P4	P3	P2	P1	3	2	1
1-6450161-6	D C B A	RM	RM	RM	RM	H G F E	H G F E	H G F E
12S + 4P								



THIS DRAWING IS A CONTROLLED DOCUMENT.		DMN: R. GRZYBOWSKI 21FEB05	TE Connectivity
DIMENSIONS: INCHES		CHK: M. PERCERKE 21FEB05	
TOLERANCES UNLESS OTHERWISE SPECIFIED: 0 PLC ±. 1 PLC ±.01 2 PLC ±.01 3 PLC ±.005 4 PLC ±.0020 ANGLES ±.020		APVD: M. PERCERKE	NAME: RIGHT ANGLE RECEPTACLE ASSEMBLY WITH GUIDES, END MODULES MULTI-BEAM XL
MATERIAL: -		FINISH: -	RESTRICTED TO: -
CUSTOMER DRAWING		SCALE: 4:1	SHEET 6 OF 6 REV: 7