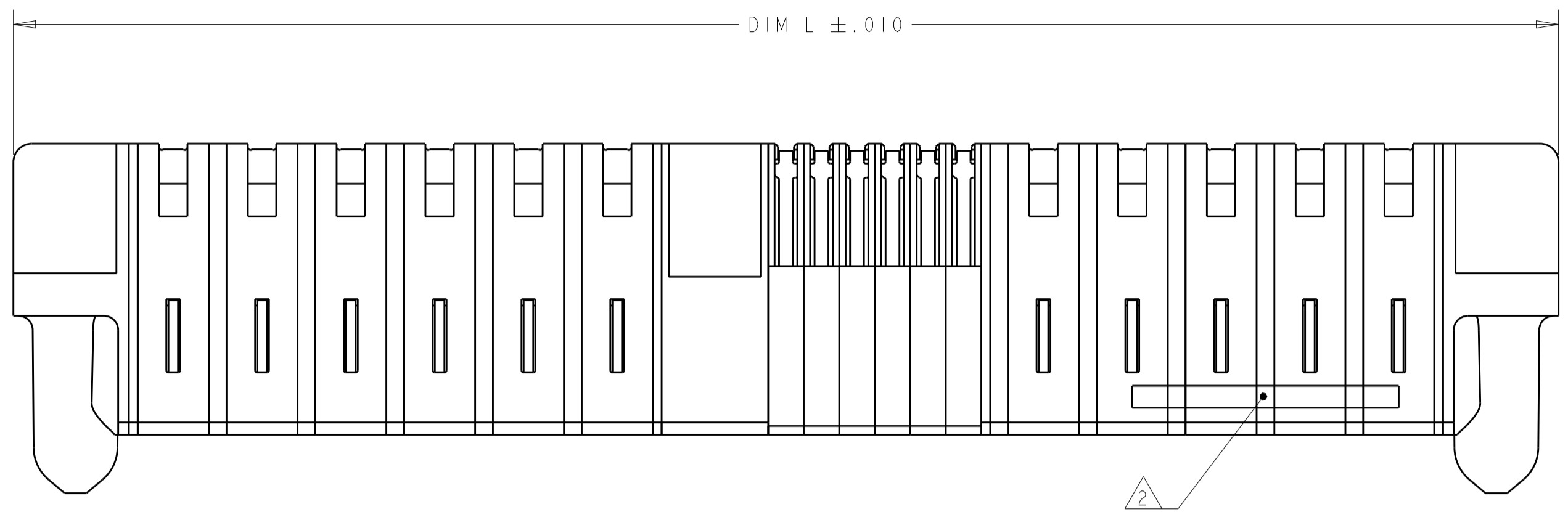
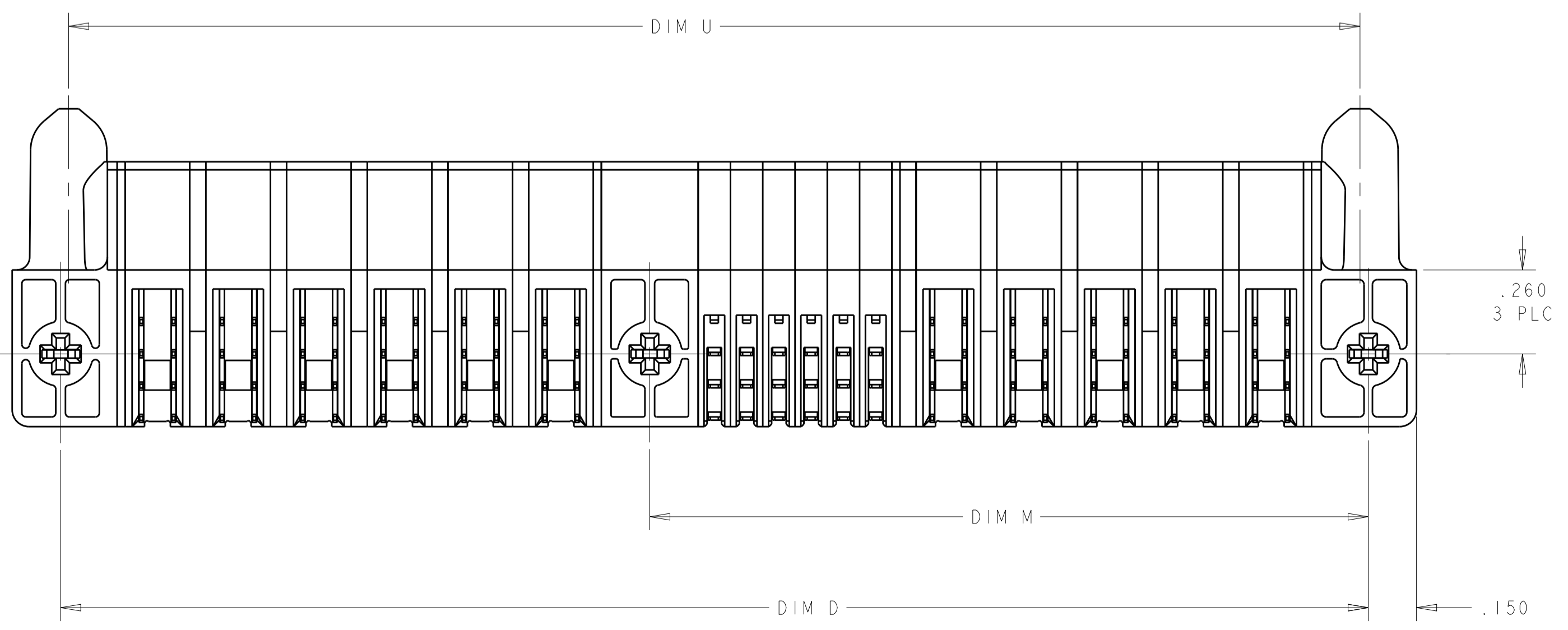
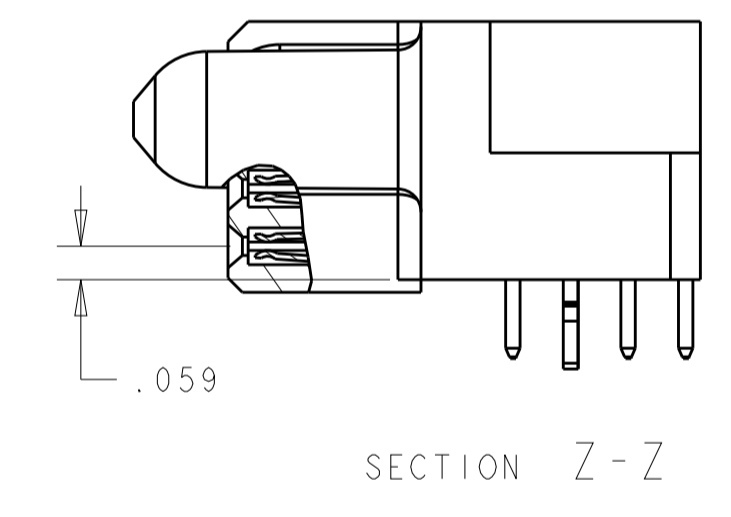
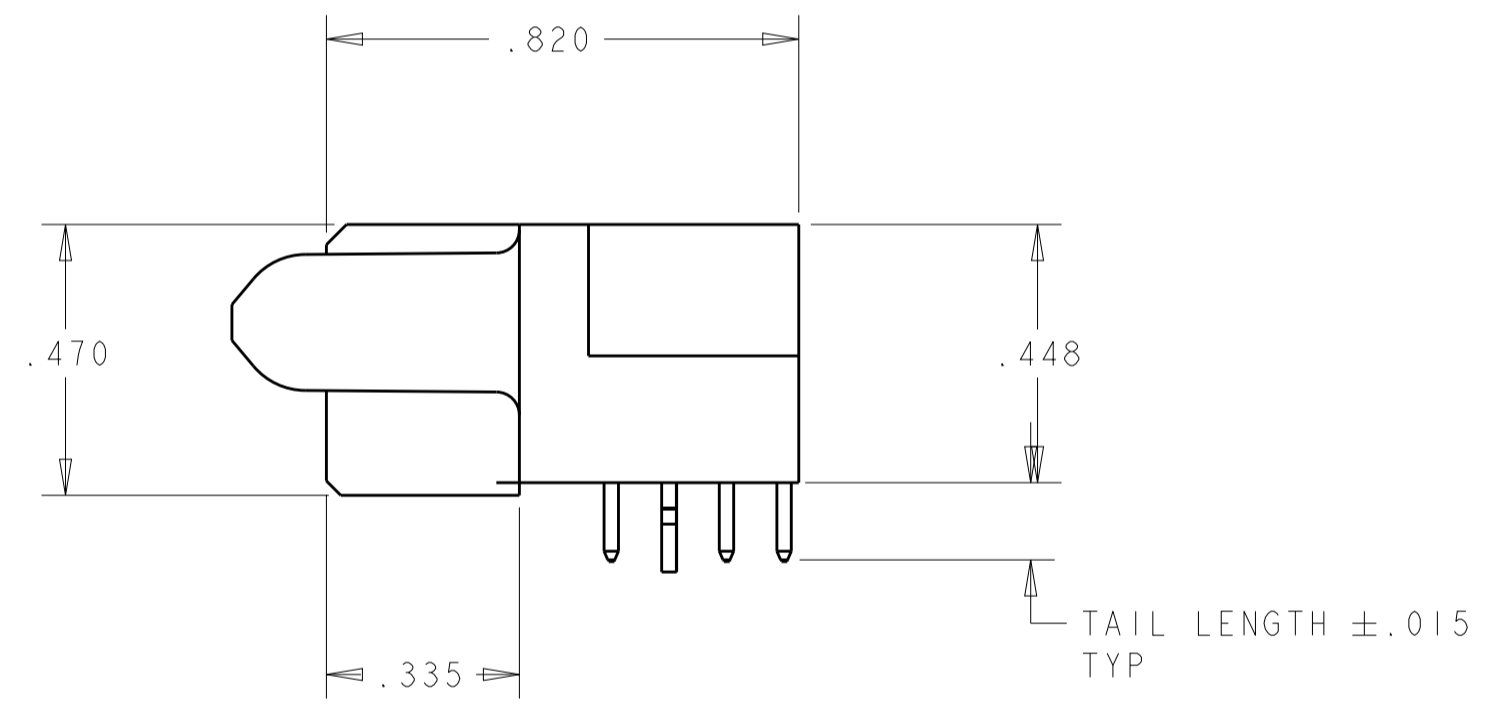
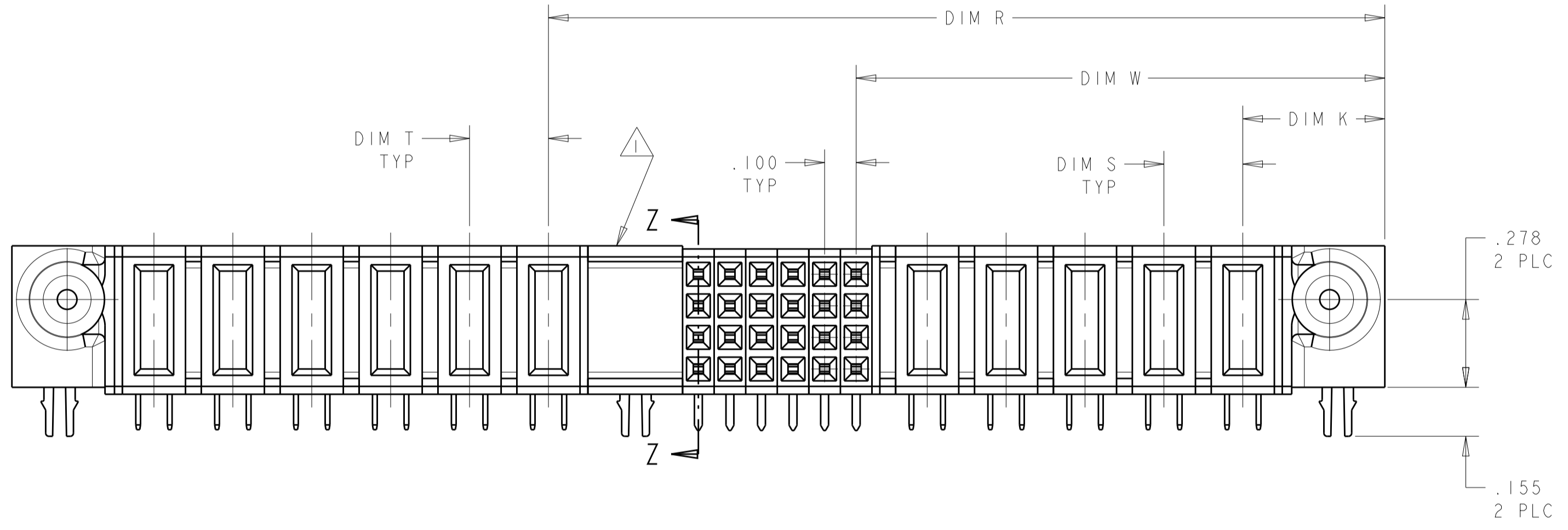


LOC	DIST	REVISIONS					
		P	LTN	DESCRIPTION	DATE	DWN	APVD
GP	00	G		REV PER ECO-15-000526	19JAN2015	LAW	CZ



- 1 OPTIONAL CENTER MODULE, WITH  $\varnothing .150$  THRU HOLE OR HOLD DOWN FEATURE.
- 2 "AMP", PART NUMBER, AND DATE CODE TO BE MARKED IN AREA SHOWN.
- 3 MATERIAL: HOUSING - GLASS FILLED HIGH TEMP THERMO PLASTIC, BLACK, UL94 V-0  
 SIGNAL CONTACT - HIGH CONDUCTIVITY COPPER ALLOY  
 POWER CONTACT - HIGH CONDUCTIVITY COPPER ALLOY
- 4 CONTACT PLATING: NOBLE PLATING ON CONTACT FUNCTIONAL AREA OF POWER AND SIGNAL CONTACTS
- 5 MECHANICAL CONNECTOR KEEP OUT ZONE.
- 6 DATUM AND BASIC DIMENSIONS ESTABLISHED BY CUSTOMER.
- 7 PCB- ALL HOLE DIAMETERS ARE FINISHED DIMENSIONS.
- 8 PCB-  $\varnothing .0453 \pm .0010$  DRILLED HOLES PLATED WITH  $.0003$  MIN Sn OVER  $.001-.003$  CU PLATING TO ACHIEVE A  $\varnothing .040 \pm .003$  HOLE.


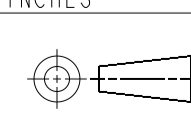


THIS DRAWING IS A CONTROLLED DOCUMENT.		OWN R. GRZYBOWSKI	ZIFEB05		TE Connectivity
DIMENSIONS: INCHES		CHK M. PERCHERKE	ZIFEB05		NAME RIGHT ANGLE RECEPTACLE ASSEMBLY WITH GUIDES MULTI-BEAM XL
TOLERANCES UNLESS OTHERWISE SPECIFIED:		APVD M. PERCHERKE	ZIFEB05	PRODUCT SPEC	RESTRICTED TO
0 PLC $\pm .01$		PRODUCT SPEC		108-1973	SIZE CAGE CODE DRAWING NO
1 PLC $\pm .01$		APPLICATION SPEC		114-13038	A100779C=6450160
2 PLC $\pm .005$		WEIGHT		-	SCALE 3:1 SHEET 1 OF 16 REV G1
3 PLC $\pm .002$		MATERIAL		Customer Drawing	
4 PLC $\pm .002$		FINISH			
ANGLES $\pm .2^\circ$		Customer Drawing			

LOC	DIST	REVISIONS					
		P	LTN	DESCRIPTION	DATE	DWN	APVD
GP	00	-	-	SEE SHEET 1	-	-	-

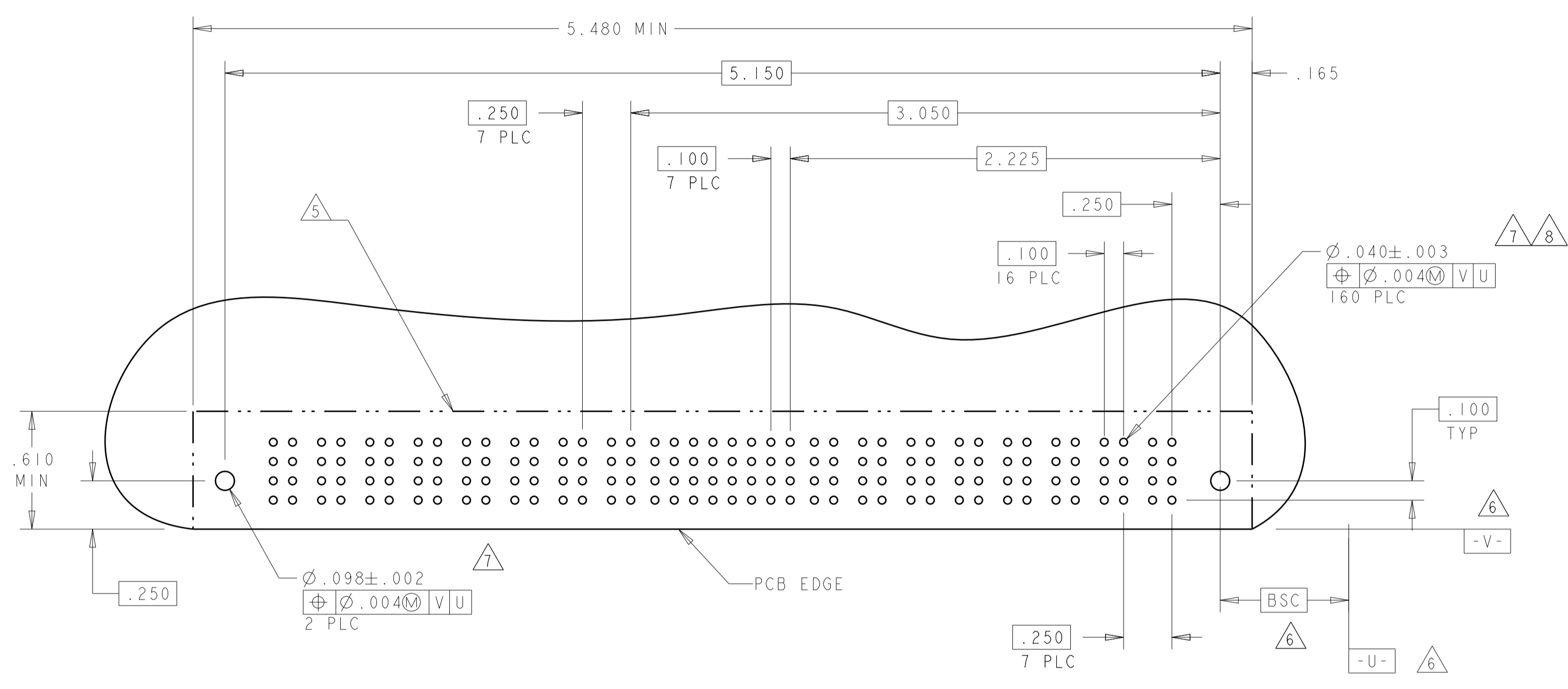
.700	-	-	-	.375	.750	-	1.050	-	16S	4-6450160-9
2.700	-	.200	2.600	1.425	2.750	-	3.050	.450	5P + 44S + 1P	4-6450160-8
4.000	-	-	-	.375	4.050	-	4.350	-	148S	4-6450160-6
2.000	.250	.250	1.650	.925	2.050	-	2.350	.450	2P + 24S + 2P	4-6450160-5
2.800	-	-	-	0.375	2.850	-	3.150	-	100S	4-6450160-4
1.100	-	-	1.000	.625	1.150	-	1.450	.450	1P + 12S + 1P	4-6450160-1
2.400	.250	.250	1.550	.875	2.450	-	2.750	.450	2P + 24S + 4P	4-6450160-0
4.700	.250	.250	2.850	2.375	4.750	-	5.050	.450	8P + 16S + 8P	3-6450160-9
5.400	.300	.300	2.875	2.175	5.450	-	5.750	.475	6P + 24S + 9P	3-6450160-8
2.900	.250	.250	2.050	1.375	2.950	-	3.250	.450	4P + 24S + 4P	3-6450160-7
3.900	.250	.250	2.550	1.875	3.950	-	4.250	.450	6P + 24S + 6P	3-6450160-6
3.800	.250	.250	3.450	.875	3.850	-	4.150	.450	2P + 100S + 2P	3-6450160-4
3.700	.300	.200	2.700	2.025	3.750	-	4.050	.450	8P+24S+4ACP	3-6450160-3
2.800	.300	.250	2.075	1.375	2.850	-	3.150	.450	4P + 24S + 3ACP	3-6450160-2
1.700	.250	.250	1.350	.875	1.750	-	2.050	.450	2P + 16S + 2P	3-6450160-1
4.375	.300	.250	3.375	2.375	4.450	2.950	4.725	.450	8P+24S+1M+4ACP	3-6450160-0
4.100	.250	.300	2.250	1.575	4.150	-	4.450	.475	4ACP + 24S + 8P	2-6450160-9
2.000	.250	.300	1.650	1.325	2.050	-	2.350	.475	3ACP + 8S + 2P	2-6450160-7
2.600	.200	.200	1.900	1.225	2.650	-	2.950	.450	4HDP + 24S + 4HDP	2-6450160-6
2.000	.250	.250	1.650	.925	2.050	-	2.350	.450	2P + 24S + 2P	2-6450160-5
4.000	.250	.250	2.650	1.675	4.050	2.225	4.350	.450	5P + 24S + 1M + 6P	2-6450160-0
3.300	.250	.250	2.450	1.875	3.350	-	3.650	.450	6P + 20S + 4P	1-6450160-9
4.675	.300	.250	3.950	3.375	4.725	-	5.025	.450	12P + 20S + 3ACP	1-6450160-8
3.250	.250	.250	2.900	1.125	3.300	-	3.600	.450	3P + 68S + 2P	1-6450160-3
.900	-	-	-	.375	.950	-	1.250	-	0P + 24S + 0P	1-6450160-2
1.900	-	-	.975	.625	1.950	-	2.250	.450	1P + 12S + 5P	1-6450160-1
1.900	.250	.250	1.550	.875	1.950	-	2.250	.450	2P + 24S + 2P	1-6450160-0
3.300	.250	.250	2.450	1.875	3.350	-	3.650	.450	6P + 20S + 4P	6450160-9
2.400	.250	.250	1.800	1.125	2.450	-	2.750	.450	3P + 24S + 3P	6450160-8
3.050	.250	.300	1.950	1.275	3.100	-	3.400	.475	3ACP + 24S + 5P	6450160-7
7.400	.250	.250	5.050	2.875	7.450	-	7.750	.450	10P + 84S + 10P	6450160-6
4.000	.250	.250	2.650	1.675	4.050	2.225	4.350	.450	5P + 24S + 1M + 6P	6450160-5
4.000	.250	.250	2.650	1.675	4.050	2.225	4.350	.450	5P + 24S + 1M + 6P	6450160-4
1.575	-	-	1.425	.700	1.625	-	1.925	.475	1P + 24S + 1P	6450160-3
1.575	-	-	1.425	.700	1.625	-	1.925	.475	1P + 24S + 1P	6450160-2
5.100	.250	.250	3.250	2.375	5.150	-	5.450	.450	8P + 32S + 8P	6450160-1
U	T	S	R	W	D	M	L	K	DESCRIPTION	PART NUMBER

(E6) PART IS IN SHEET 15

THIS DRAWING IS A CONTROLLED DOCUMENT.		DWN R. GRZYBOWSKI ZIFB05	 TE Connectivity RIGHT ANGLE RECEPTACLE ASSEMBLY WITH GUIDES MULTI-BEAM XL	
DIMENSIONS: INCHES		CHK M. PERCHERKE ZIFB05		
TOLERANCES UNLESS OTHERWISE SPECIFIED:		APVD M. PERCHERKE ZIFB05	NAME	
0 PLC ±. 1 PLC ±.01 2 PLC ±.01 3 PLC ±.005 4 PLC ±.002 ANGLES ±.02°		PRODUCT SPEC	108-1973	
		APPLICATION SPEC	114-13038	
MATERIAL		WEIGHT	A100779C=6450160	
FINISH		Customer Drawing	SCALE 3:1	SHEET 2 OF 16

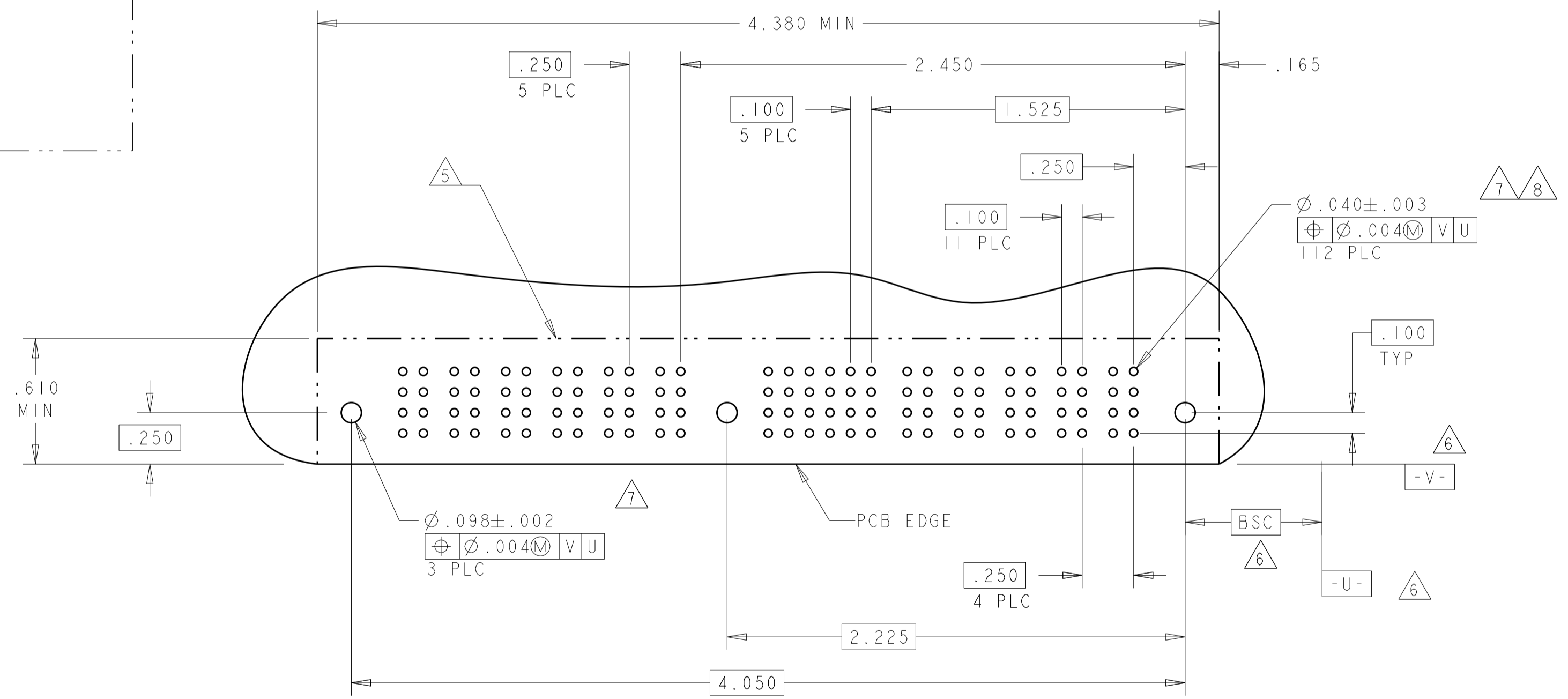
LOC	DIST	REV	DATE	BY	APPV
GP	00				

PART NUMBER	ROWS	POWER								SIGNAL								POWER							
		P16	P15	P14	P13	P12	P11	P10	P9	8	7	6	5	4	3	2	1	P8	P7	P6	P5	P4	P3	P2	P1
6450160-1	D C B A	RA	RA	RA	RA	RA	RA	RA	RA	H	H	H	H	H	H	H	H	RA	RA	RA	RA	RA	RA	RA	RA
		9' + 363 + 8P																							



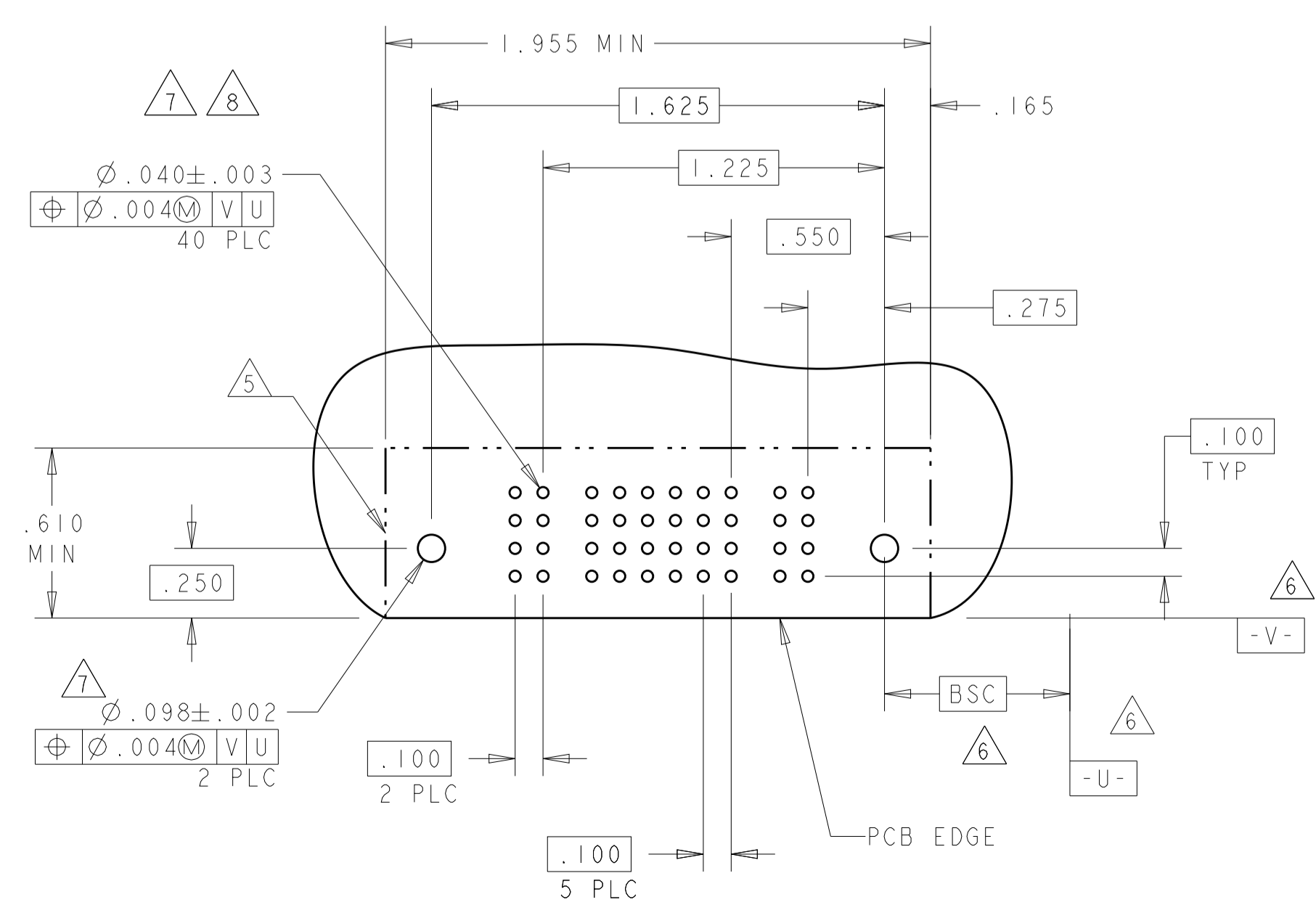
PART NUMBER	ROWS	POWER						SIGNAL						POWER											
		P11	P10	P9	P8	P7	P6	M1	6	5	4	3	2	1	P5	P4	P3	P2	P1						
6450160-4	D C B A	RB	RB	RB	RB	RB	RB	K	K	K	K	K	K	K	K	RB	RB	RB	RB	RB					
		5P + 24S + 1M + 6P																							

PART NUMBER	ROWS	POWER						SIGNAL						POWER											
		P11	P10	P9	P8	P7	P6	M1	6	5	4	3	2	1	P5	P4	P3	P2	P1						
6450160-5	D C B A	RA	RA	RA	RA	RA	RA	H	H	H	H	H	H	H	H	RA	RA	RA	RA	RA					
		5P + 24S + 1M + 6P																							



PART NUMBER	ROWS	POWER					SIGNAL					POWER				
		P2	6	5	4	3	2	1	P1	6	5	4	3	2	1	
6450160-2	D C B A	RB	K	K	K	K	K	K	RB	K	K	K	K	K	K	
		IP + 24S + IP														

PART NUMBER	ROWS	POWER					SIGNAL					POWER				
		P2	6	5	4	3	2	1	P1	6	5	4	3	2	1	
6450160-3	D C B A	RA	H	H	H	H	H	H	RA	H	H	H	H	H	H	
		IP + 24S + IP														



CODE	TAIL LENGTH	DESCRIPTION
RN	.090	STD
RM	.135	STD
RA	.135	MFBL
RB	.090	MFBL

POWER CONTACT

CODE	TAIL LENGTH	ROW
L	.090	D
K	.090	C
J	.090	B
I	.090	A
H	.135	D
G	.135	C
F	.135	B
E	.135	A

SIGNAL CONTACT

THIS DRAWING IS A CONTROLLED DOCUMENT.

OWN: R. GRZYBOWSKI 21FEB05  
 CHK: M. PERCHERKE 21FEB05  
 APV: M. PERCHERKE 21FEB05

PRODUCT SPEC: 108-1973  
 APPLICATION SPEC: 114-13038  
 WEIGHT: -  
 Customer Drawing

**STE** TE Connectivity

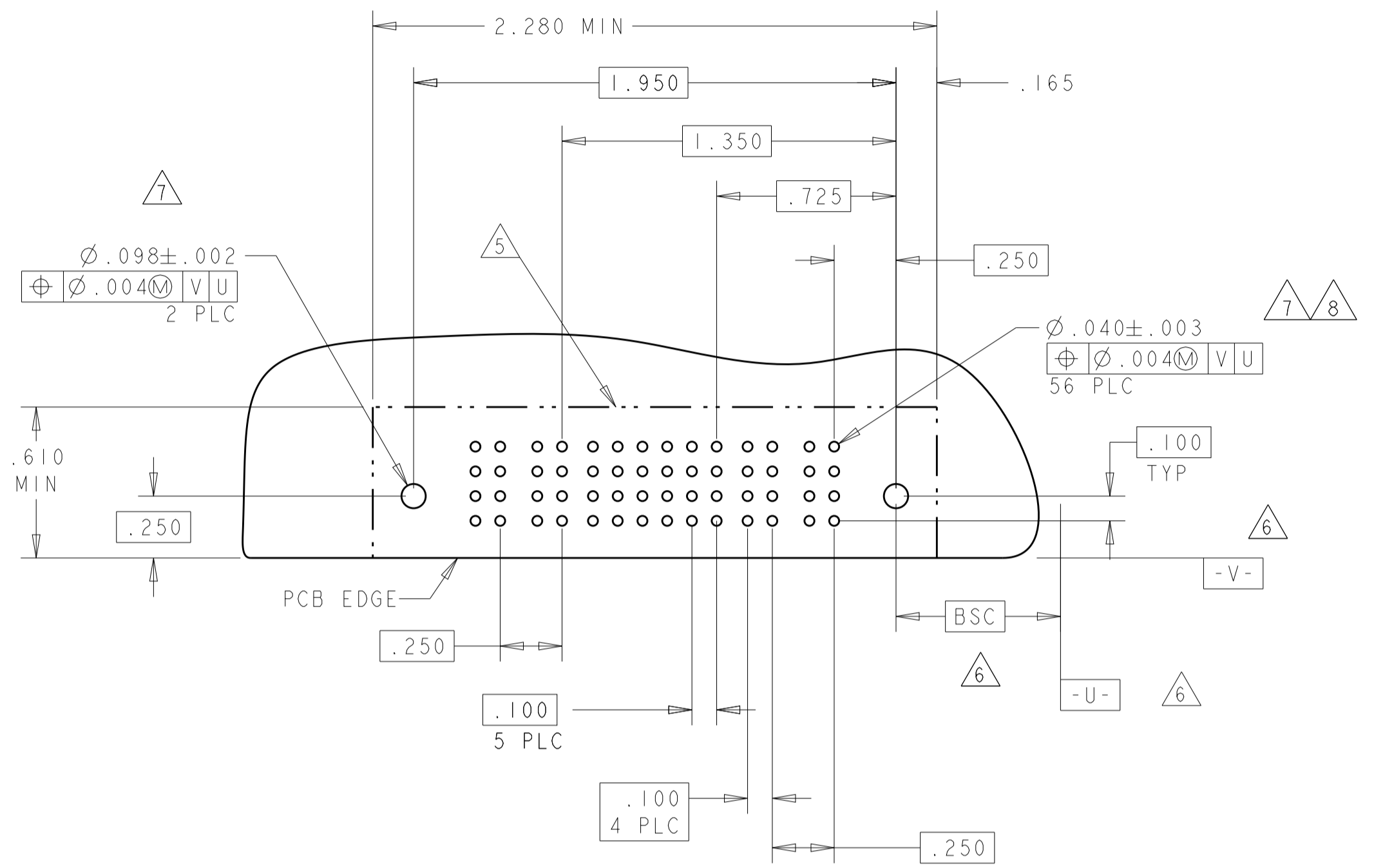
NAME: RIGHT ANGLE RECEPTACLE ASSEMBLY WITH GUIDES MULTI-BEAM XL

SIZE: A100779 C=6450160  
 SHEET 3 OF 16

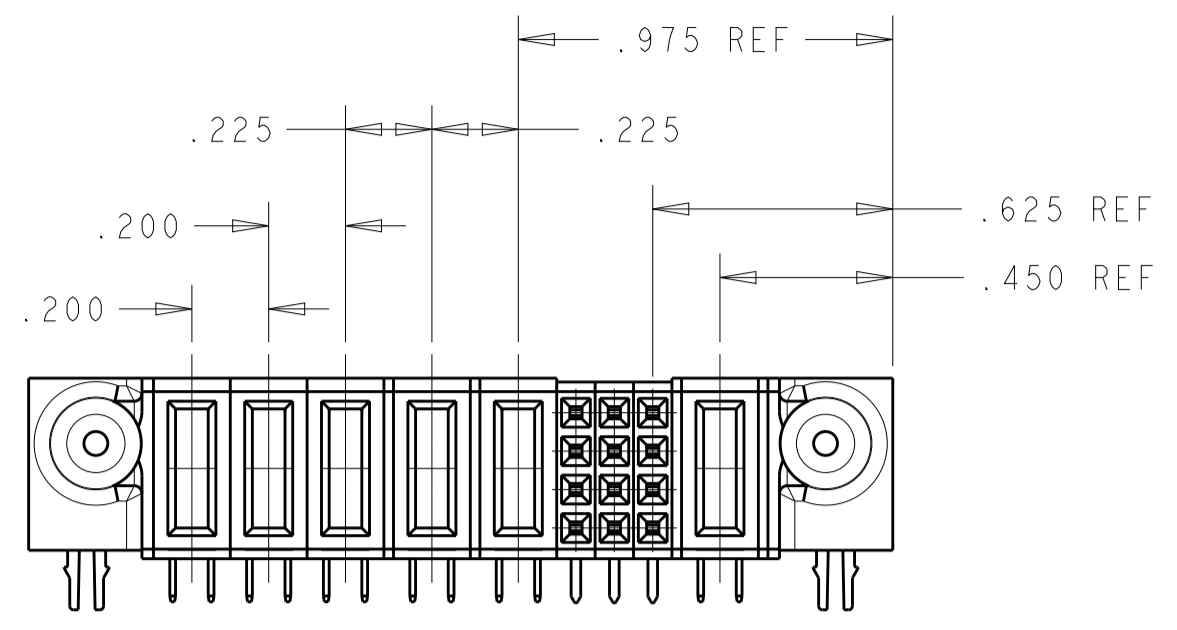
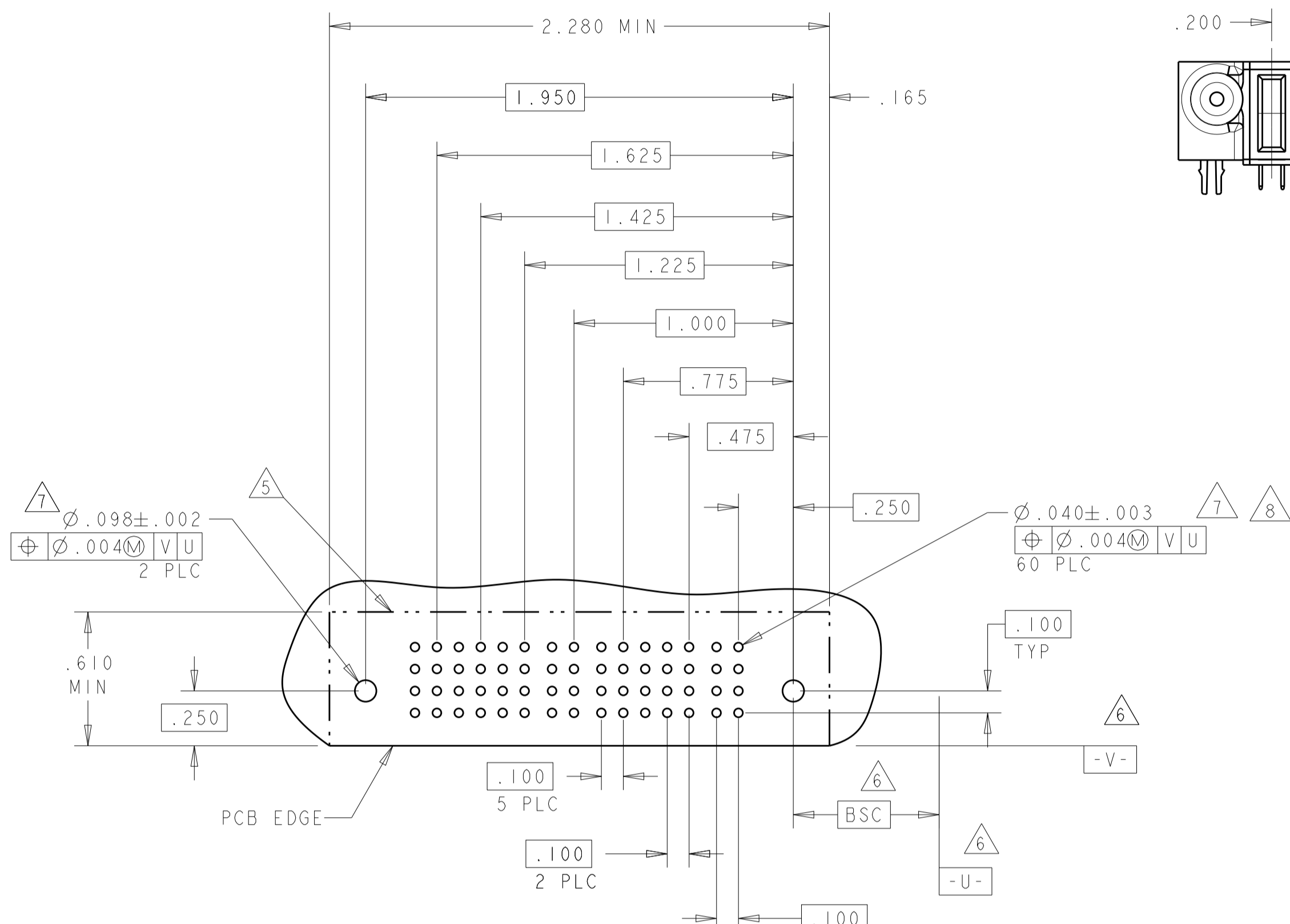
SCALE: 4:1



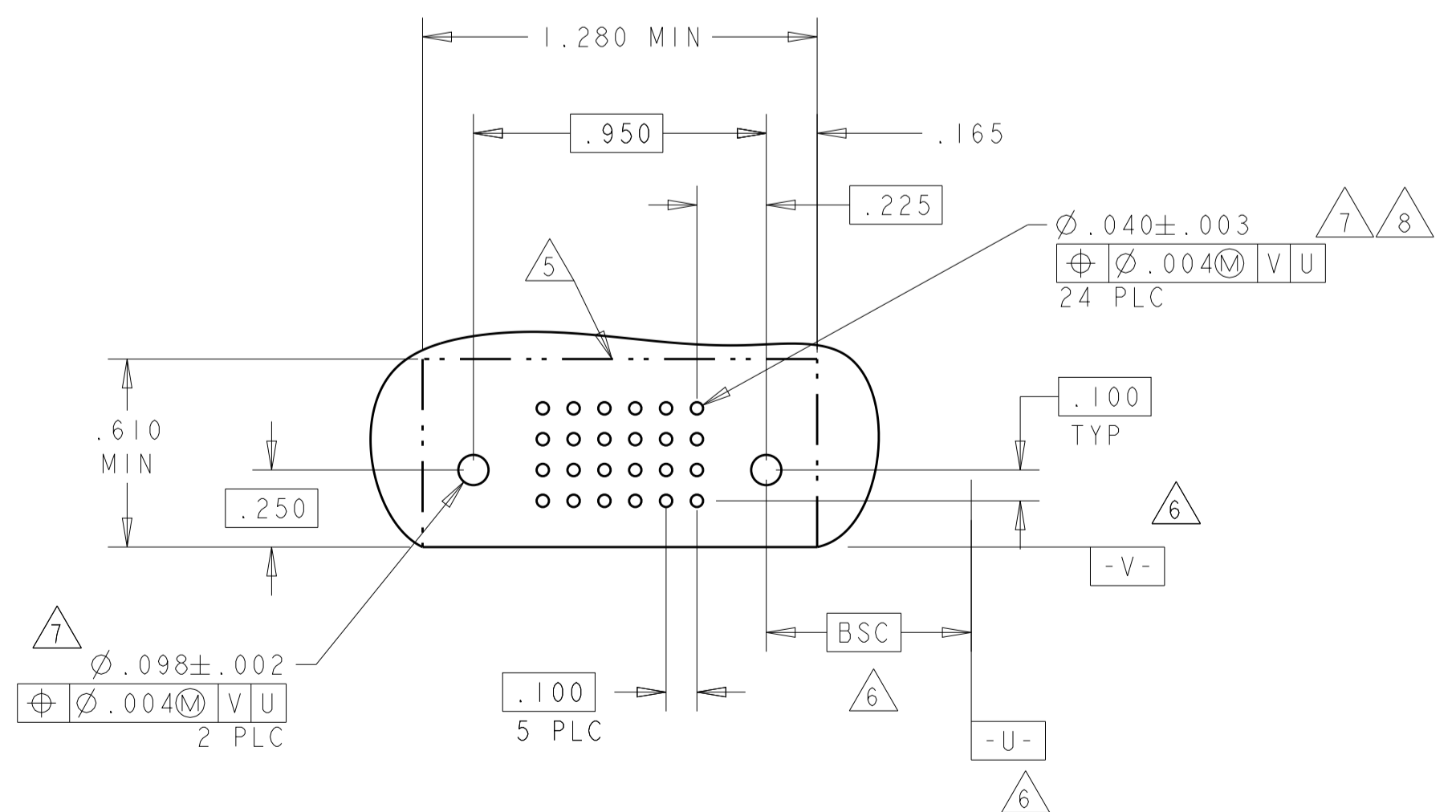
PART NUMBER	ROWS	POWER		SIGNAL				POWER		
		P4	P3	6	5	4	3	2	1	P2
I-6450160-0	D C B A	RA	RA	H	H	H	H	H	RA	RA
				G	G	G	G	G		
				F	F	F	F	F		
2P + 24S + 2P										



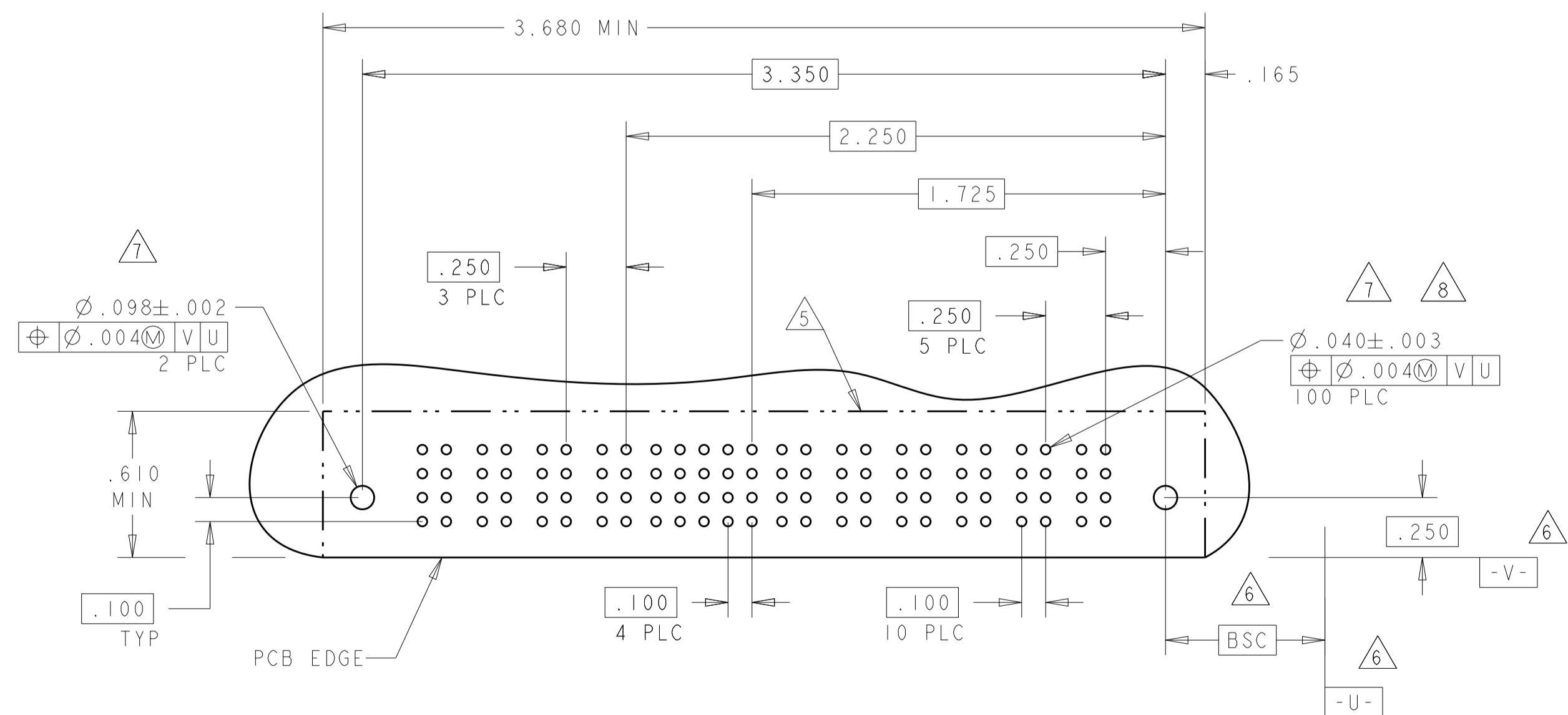
PART NUMBER	ROWS	POWER				SIGNAL POWER			
		P6	P5	P4	P3	3	2	1	P1
I-6450160-1	D C B A	RA	RA	RA	RA	H	H	H	RA
						G	G	G	
						F	F	F	
1P + 12S + 5P									



PART NUMBER	ROWS	SIGNAL					
		6	5	4	3	2	1
I-6450160-2	D C B A	L	L	L	L	L	L
		K	K	K	K	K	K
		J	J	J	J	J	J
0P + 24S + 0P							



PART NUMBER	ROWS	POWER			SIGNAL				POWER					
		P10	P9	P8	5	4	3	2	1	P6	P5	P4	P3	P2
I-6450160-9	D C B A	RA	RA	RA	H	H	H	H	RA	RA	RA	RA	RA	RA
					G	G	G	G						
					F	F	F	F						
6P + 20S + 4P														



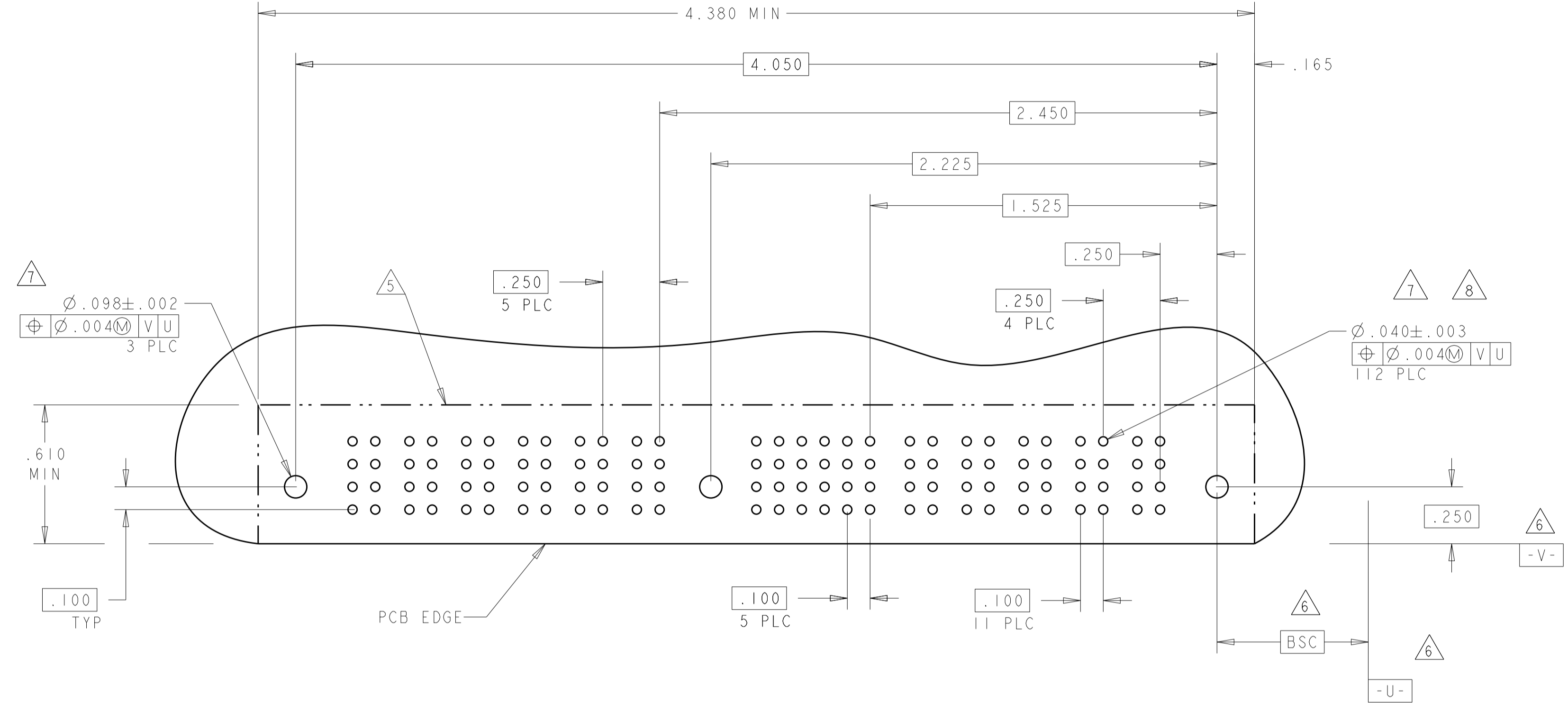
THIS DRAWING IS A CONTROLLED DOCUMENT.

DIMENSIONS: INCHES 	TOLERANCES UNLESS OTHERWISE SPECIFIED: 0 PLC ±. 1 PLC ±.01 2 PLC ±.01 3 PLC ±.005 4 PLC ±.002 ANGLES ±.02	DWN: R. GRZYBOWSKI CHK: M. PERCHERKE APVD: M. PERCHERKE PRODUCT SPEC: 108-1973 APPLICATION SPEC: 114-13038 WEIGHT: - FINISH: ***	ZIFEB05 ZIFEB05 ZIFEB05 NAME: RIGHT ANGLE RECEPTACLE ASSEMBLY WITH GUIDES MULTI-BEAM XL SIZE: A1 CAGE CODE: 100779 DRAWING NO: 6450160 SHEET 5 OF 16 REV: G1 RESTRICTED TO: - SCALE: 4:1
---------------------------	---	--	--

Customer Drawing

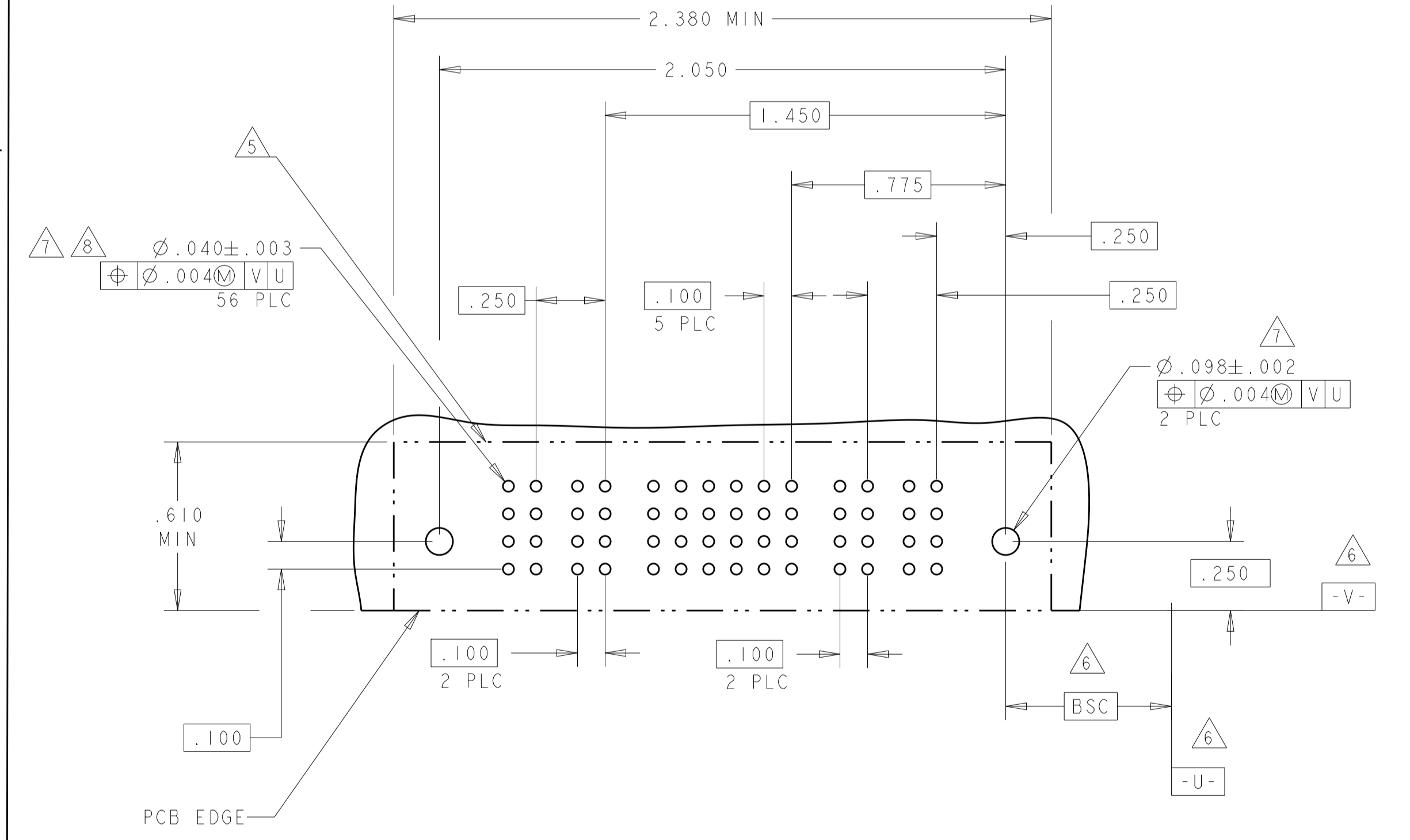
LOC		DIST		REVISONS				
P	LTN	DATE	DMN	APVD	DESCRIPTION	DATE	DMN	APVD
-	-	-	-	-	SEE SHEET 1	-	-	-

PART NUMBER	ROWS	POWER					SIGNAL					POWER						
		P11	P10	P9	P8	P7	P6	M1	6	5	4	3	2	1	P5	P4	P3	P2
2-6450160-0	D C B A	RA	RA	RA	RA	RA	RA	H	H	H	H	H	H	RA	RA	RA	RA	RA
		5P + 24S + 1M + 6P																

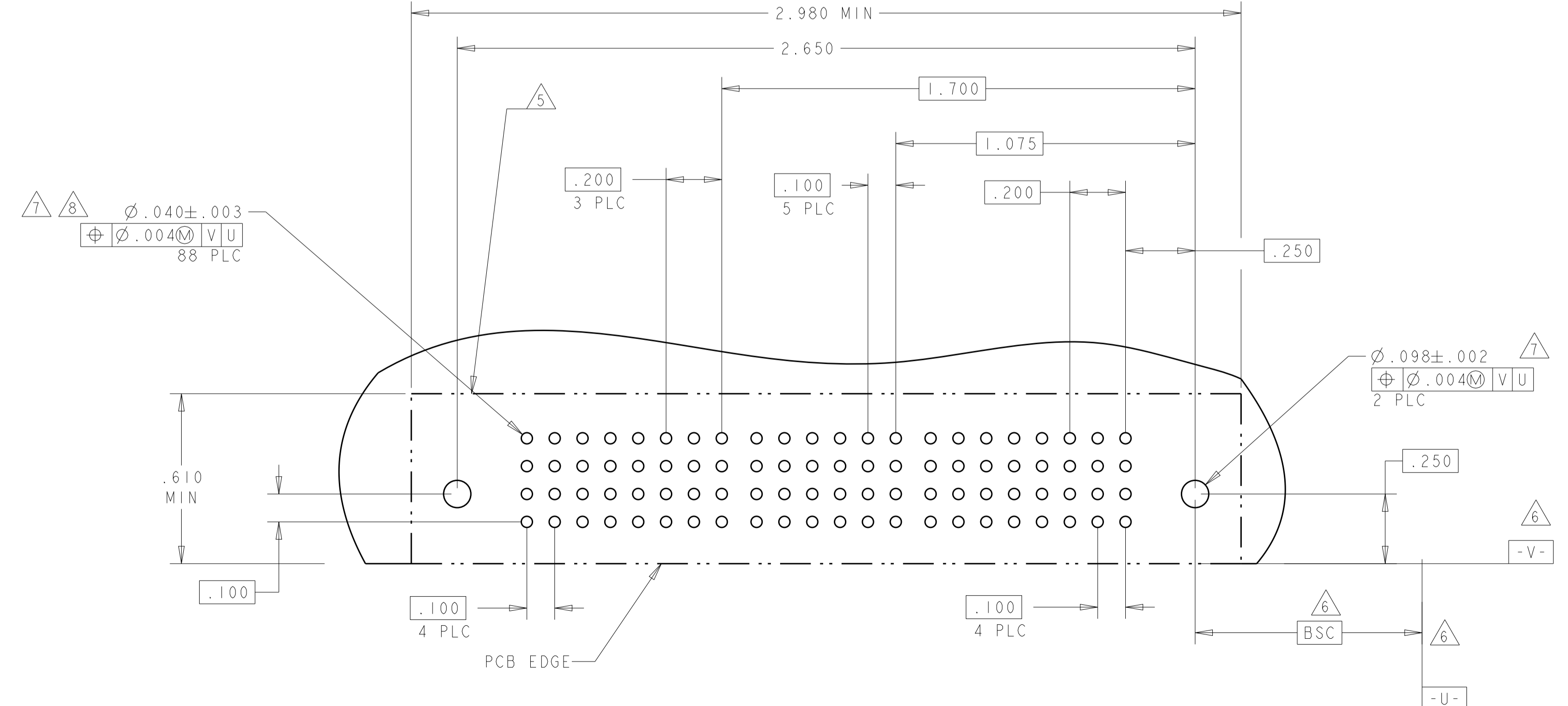


PART NUMBER	ROWS	POWER		SIGNAL					POWER		
		P4	P3	6	5	4	3	2	1	P2	P1
2-6450160-5	D C B A	RM	RM	L	L	L	L	L	L	RM	RM
		2P + 24S + 2P									

PART NUMBER	ROWS	POWER		SIGNAL					POWER		
		P4	P3	6	5	4	3	2	1	P2	P1
4-6450160-5	D C B A	RM	RM	H	H	H	H	H	H	RM	RM
		2P + 24S + 2P									



PART NUMBER	ROWS	POWER				SIGNAL					POWER				
		P8	P7	P6	P5	6	5	4	3	2	1	P4	P3	P2	P1
2-6450160-6	D C B A	RM	RM	RM	RM	H	H	H	H	H	H	RM	RM	RM	RM
		4HDP + 24S + 4HDP													



2-6450160-5 AND 4-6450160-5 PCB LAYOUT

THIS DRAWING IS A CONTROLLED DOCUMENT.		DMN: R. GRZYBOWSKI	ZIFEB05	TE Connectivity
DIMENSIONS: INCHES		CHK: M. PERCHERKE	ZIFEB05	
TOLERANCES UNLESS OTHERWISE SPECIFIED:		APVD: M. PERCHERKE	ZIFEB05	NAME: RIGHT ANGLE RECEPTACLE ASSEMBLY WITH GUIDES MULTI-BEAM XL
0 PLC ±.01		PRODUCT SPEC	108-1973	
1 PLC ±.01		APPLICATION SPEC	114-13038	SIZE: CAGE CODE DRAWING NO. RESTRICTED TO A1100779C=6450160
2 PLC ±.01		WEIGHT		
3 PLC ±.01		Customer Drawing	SCALE: 4:1	SHEET 6 OF 16 REV: G1
4 PLC ±.005				
5 PLC ±.005				
6 PLC ±.002				
ANGLES ±.002				

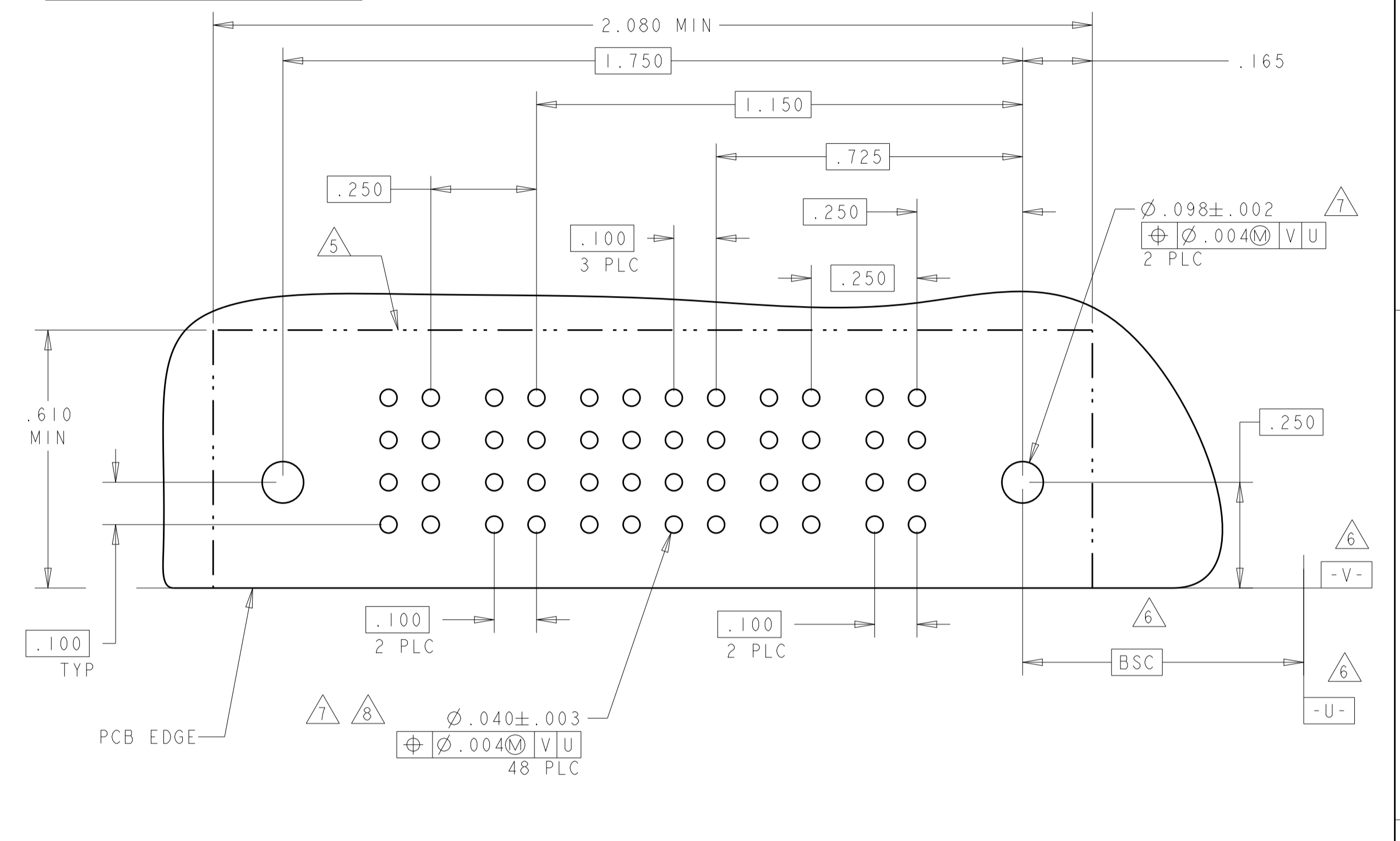
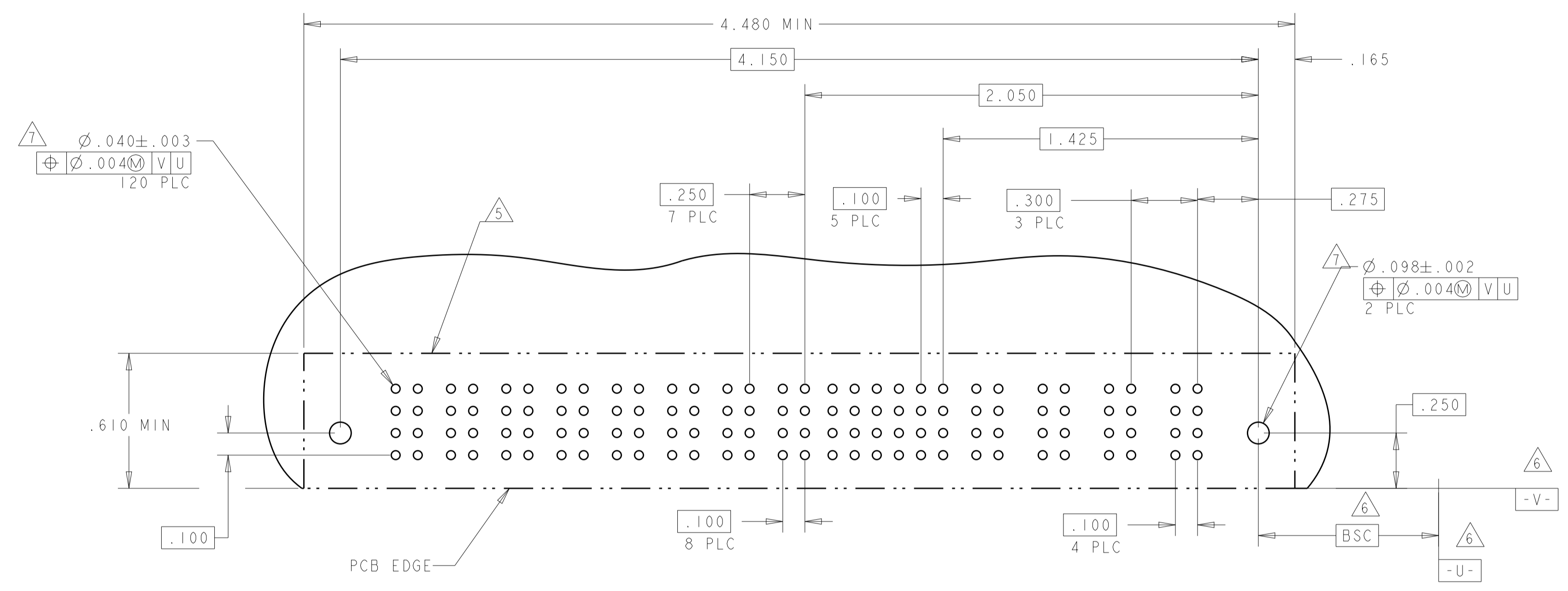
PART NUMBER	ROWS	POWER								SIGNAL						POWER			
		P12	P11	P10	P9	P8	P7	P6	P5	6	5	4	3	2	1	P4	P3	P2	P1
2-6450160-9	D C B A	RM	RM	RM	RM	RM	RM	RM	RM	H	H	H	H	H	H	RM	RM	RM	RM
										G	G	G	G	G	G				
										F	F	F	F	F	F				
										E	E	E	E	E	E				

4ACP + 24S + 8P

PART NUMBER	ROWS	POWER			SIGNAL				POWER	
		P4	P3	P1	4	3	2	1	P2	P1
3-6450160-1	D C B A	RM	RM	RM	H	H	H	H	RM	RM
					G	G	G	G		
					F	F	F	F		
					E	E	E	E		

2P + 16S + 2P

REV	DATE	BY	APPV	DESCRIPTION
-	-	-	-	SEE SHEET 1

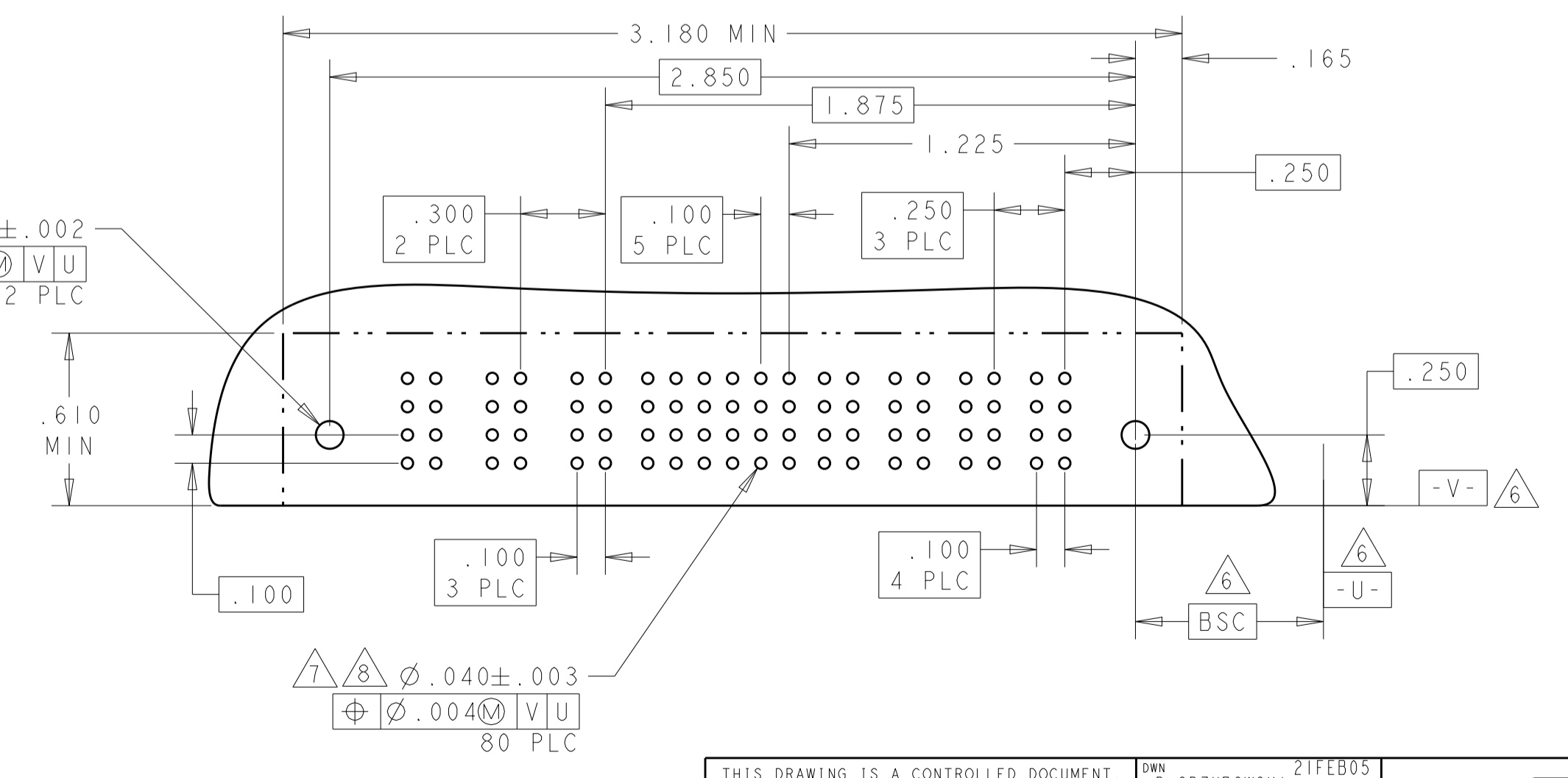
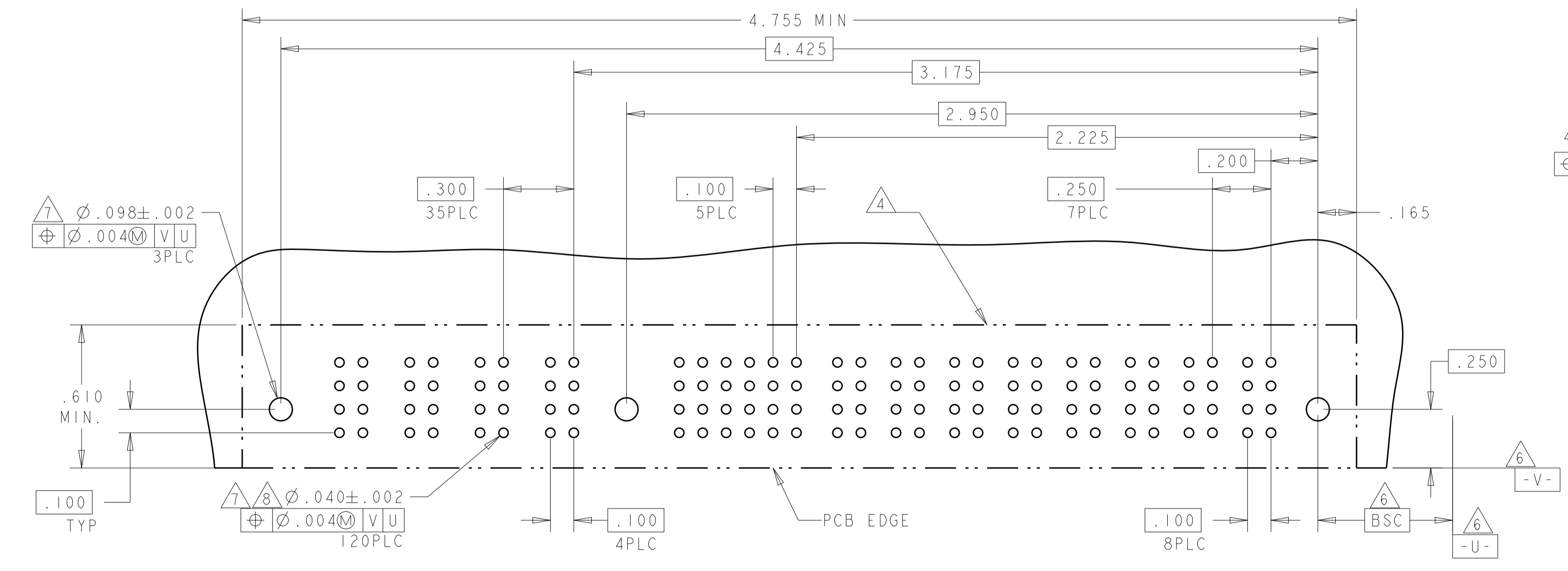


PART NUMBER	ROWS	POWER				SIGNAL						POWER							
		P12	P11	P10	P9	6	5	4	3	2	1	P8	P7	P6	P5	P4	P3	P2	P1
3-6450160-0	D C B A	RM	RM	RM	RM	H	H	H	H	H	H	RM	RM	RM	RM	RM	RM	RM	RM
						G	G	G	G	G	G								
						F	F	F	F	F	F								
						E	E	E	E	E	E								

8P + 24S + 1M + 4ACP

PART NUMBER	HOUSING P/N	ROWS	POWER			SIGNAL						POWER			
			P7	P6	P5	6	5	4	3	2	1	P4	P3	P2	P1
3-6450160-2	3-1450190-2	D C B A	RM	RM	RM	H	H	H	H	H	H	RM	RM	RM	RM
						G	G	G	G	G	G				
						F	F	F	F	F	F				
						E	E	E	E	E	E				

4P + 24S + 3ACP



THIS DRAWING IS A CONTROLLED DOCUMENT.

OWN: R. GRZYBOWSKI 21FEB05  
CHK: M. PERCHERKE 21FEB05  
APPV: M. PERCHERKE 21FEB05

DIMENSIONS: INCHES

TOLERANCES UNLESS OTHERWISE SPECIFIED:

0 PLC	±
1 PLC	±.01
2 PLC	±.01
3 PLC	±.005
4 PLC	±.002
ANGLES	±.002

MATERIAL: FINISH: #P\*

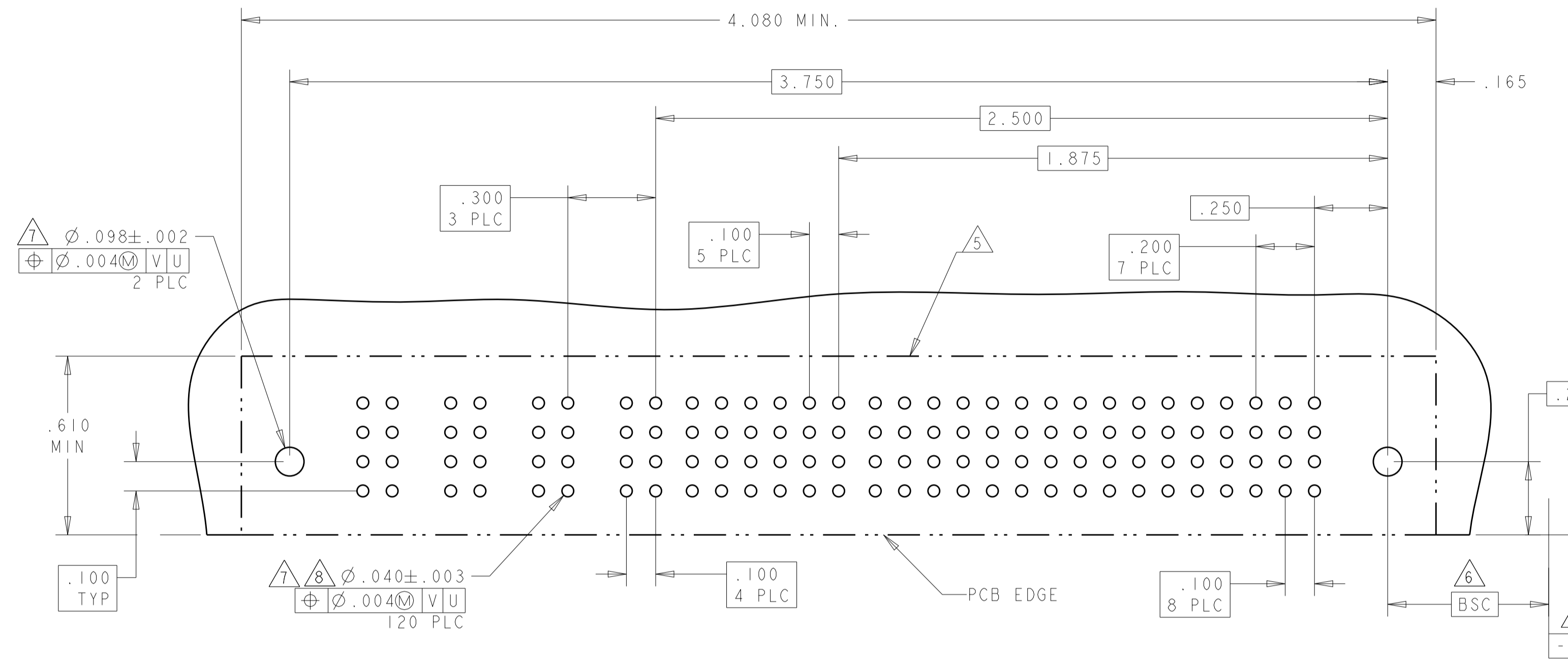
NAME: RIGHT ANGLE RECEPTACLE ASSEMBLY WITH GUIDES MULTI-BEAM XL

SIZE: 114-13038  
WEIGHT: A100779  
SCALE: 3:1  
SHEET 7 OF 16

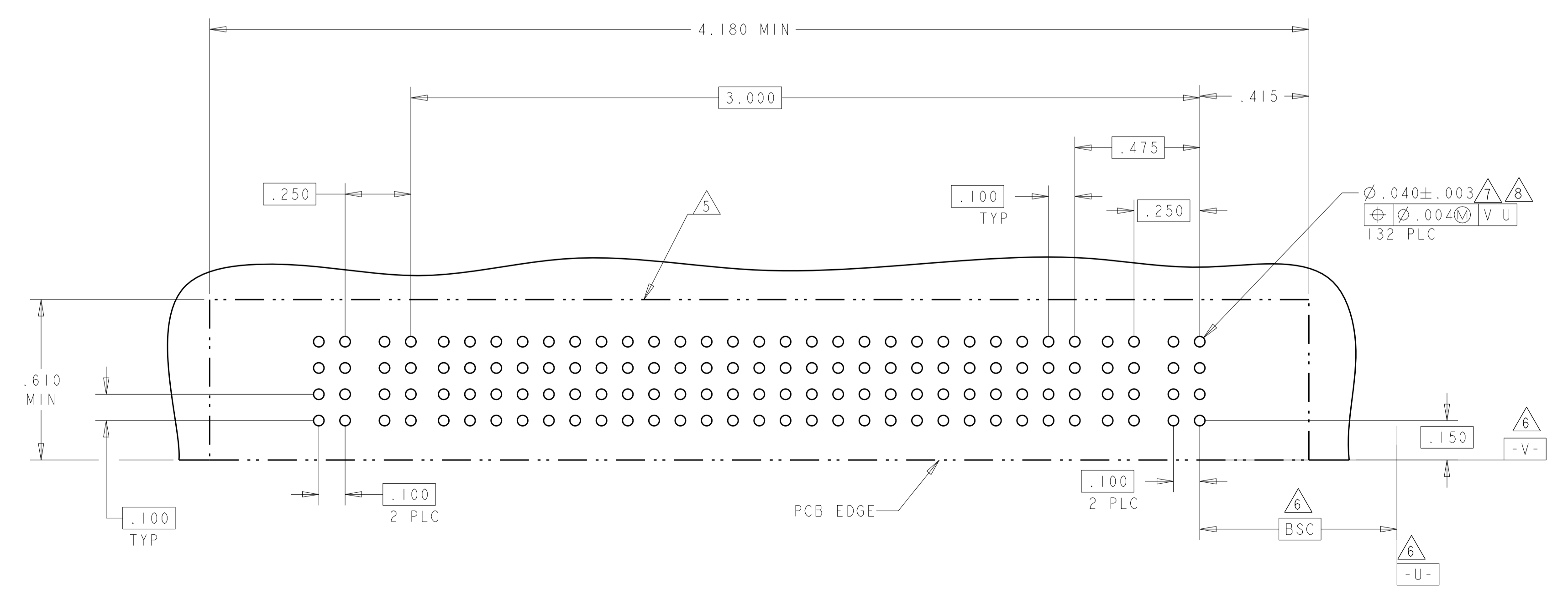
Customer Drawing

LOC	DIST	REVISIONS			
P	LTN	DESCRIPTION	DATE	DWN	APVD
GP	00	SEE SHEET 1			

PART NUMBER	ROWS	POWER				SIGNAL								POWER							
		P12	P11	P10	P9	6	5	4	3	2	1	P8	P7	P6	P5	P4	P3	P2	P1		
3-6450160-3	D C B A	RM	RM	RM	RM	H	H	H	H	H	H	RM	RM	RM	RM	RM	RM	RM	RM		
		RM	RM	RM	RM	G	G	G	G	G	G	RM	RM	RM	RM	RM	RM	RM	RM		
		RM	RM	RM	RM	F	F	F	F	F	F	RM	RM	RM	RM	RM	RM	RM	RM		
		RM	RM	RM	RM	E	E	E	E	E	E	RM	RM	RM	RM	RM	RM	RM	RM		
8P + 24S + 4ACP																					



PART NUMBER	ROWS	POWER		SIGNAL																				POWER							
		P4	P3	25	24	23	22	21	20	19	18	17	16	15	14	13	12	11	10	9	8	7	6	5	4	3	2	1	P2	P1	
3-6450160-4	D C B A	RM	RM	H	H	H	H	H	H	H	H	H	H	H	H	H	H	H	H	H	H	H	H	H	H	H	H	H	H	RM	RM
		RM	RM	G	G	G	G	G	G	G	G	G	G	G	G	G	G	G	G	G	G	G	G	G	G	G	G	G	G	RM	RM
		RM	RM	F	F	F	F	F	F	F	F	F	F	F	F	F	F	F	F	F	F	F	F	F	F	F	F	F	F	RM	RM
		RM	RM	E	E	E	E	E	E	E	E	E	E	E	E	E	E	E	E	E	E	E	E	E	E	E	E	E	E	RM	RM
2P + 100S + 2P																															



THIS DRAWING IS A CONTROLLED DOCUMENT. DWN: R. GRZYBOWSKI 21FEB05  
 CHK: M. PERCHERKE 21FEB05  
 APVD: M. PERCHERKE 21FEB05

**STE** TE Connectivity

NAME: RIGHT ANGLE RECEPTACLE ASSEMBLY WITH GUIDES MULTI-BEAM XL

PRODUCT SPEC: 108-1973  
 APPLICATION SPEC: 114-13038  
 WEIGHT: -

Customer Drawing

SCALE: 3:1 SHEET 8 OF 16 REV: G1



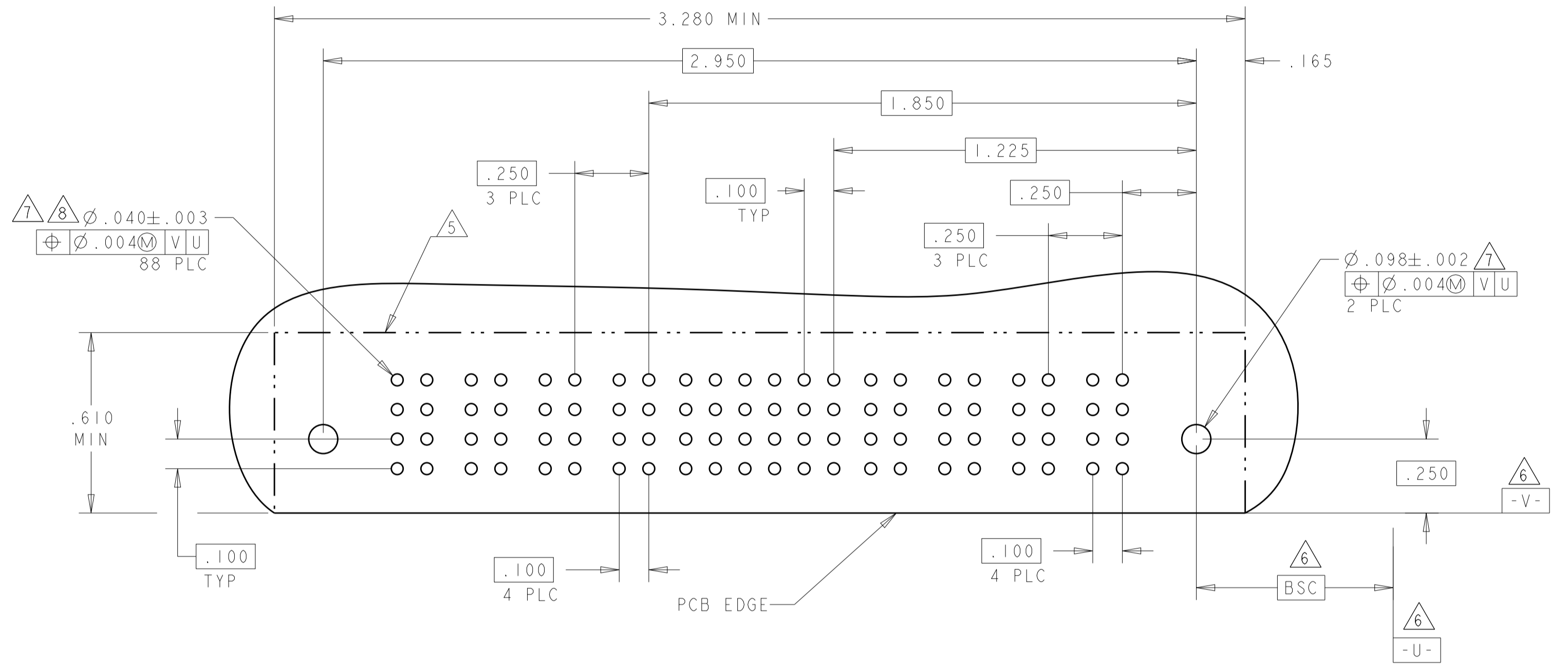
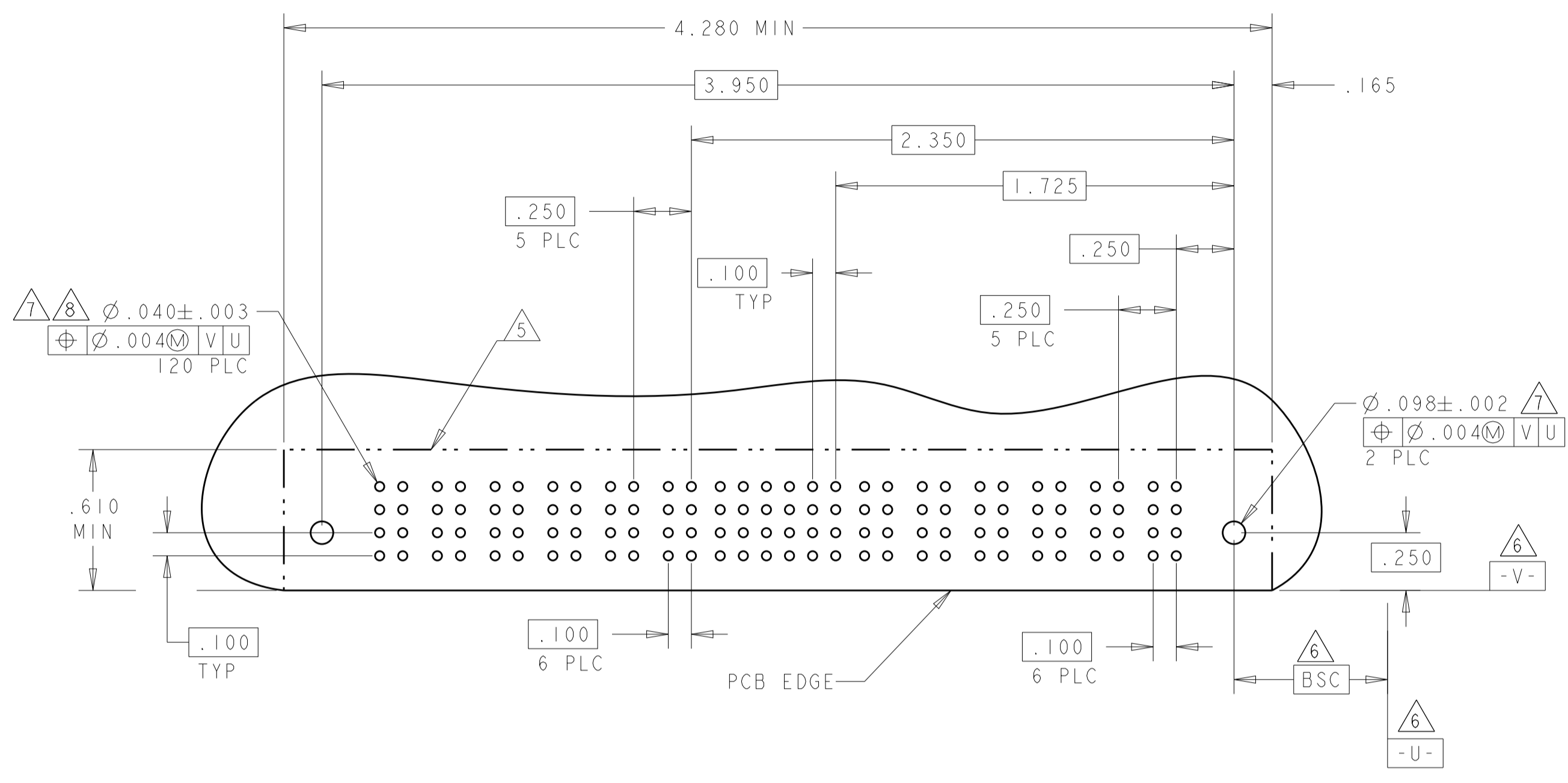
LOC	DIST	REV	DATE	BY	APPV
GP	00				

REVISIONS			
REV	DATE	BY	APPV
-	-	-	-
SEE SHEET 1			

PART NUMBER	ROWS	POWER					SIGNAL					POWER											
		P12	P11	P10	P9	P8	6	5	4	3	2	1	P6	P5	P4	P3	P2	P1					
3-6450160-6	D C B A	RM	RM	RM	RM	RM	H	H	H	H	H	H	RM	RM	RM	RM	RM	RM					
		G	G	G	G	G	F	F	F	F	F	F	F	F	F	F	F	F					
		E	E	E	E	E	E	E	E	E	E	E	E	E	E	E	E	E					
6P + 24S + 6P		[HD]																				[HD]	

PART NUMBER	ROWS	POWER				SIGNAL					POWER								
		P8	P7	P6	P5	6	5	4	3	2	1	P4	P3	P2	P1				
3-6450160-7	D C B A	RM	RM	RM	RM	H	H	H	H	H	H	RM	RM	RM	RM				
		G	G	G	G	F	F	F	F	F	F	F	F	F	F				
		E	E	E	E	E	E	E	E	E	E	E	E	E	E				
4P + 24S + 4P		[HD]																[HD]	



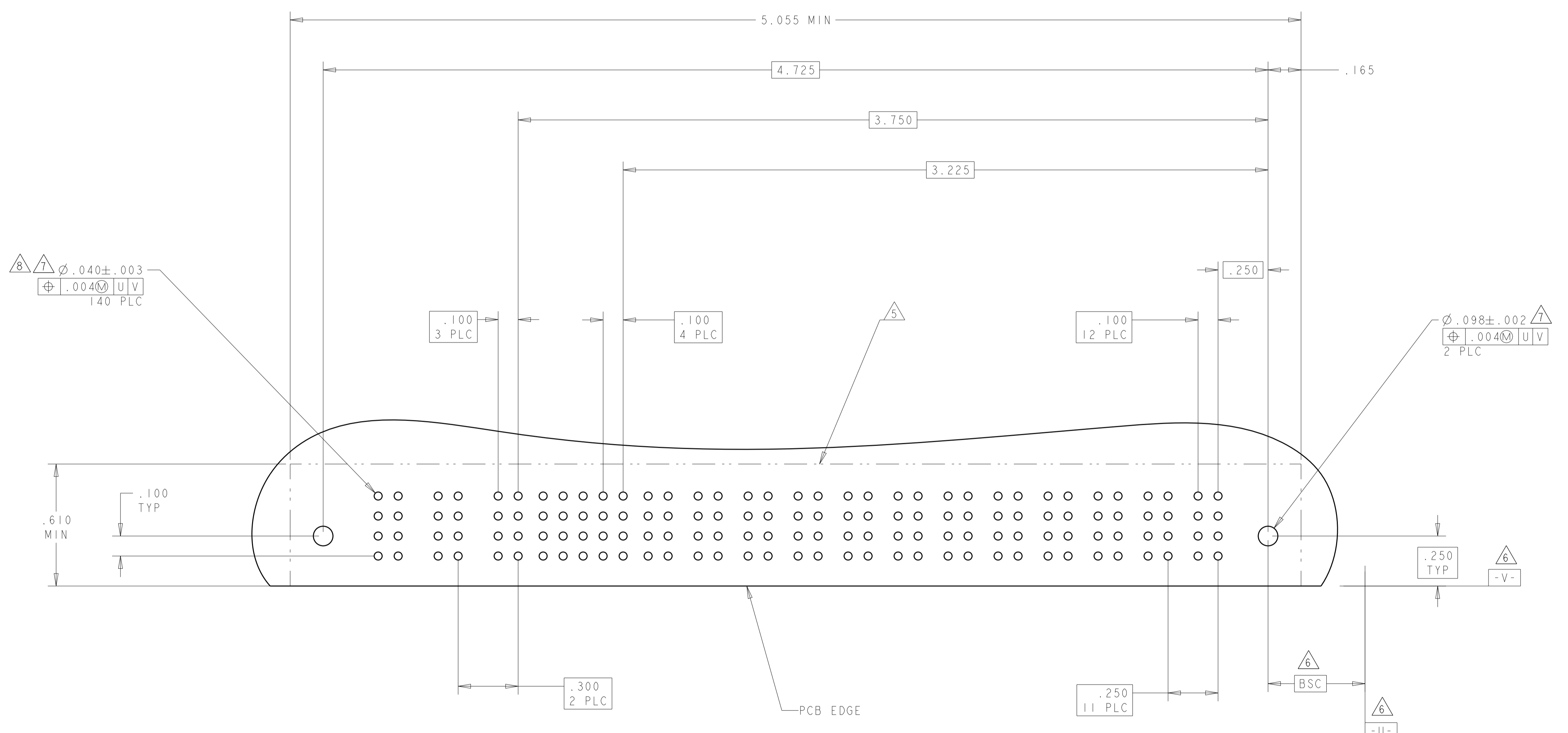
THIS DRAWING IS A CONTROLLED DOCUMENT.

DIMENSIONS:	TOLERANCES UNLESS OTHERWISE SPECIFIED:	OWN: R. GRZYBOWSKI 21FEB05	NAME: RIGHT ANGLE RECEPTACLE ASSEMBLY WITH GUIDES MULTI-BEAM XL
INCHES	0 PLC ± .010 1 PLC ± .010 2 PLC ± .010 3 PLC ± .010 4 PLC ± .005 ANGLES ± .002	CHK: M. PERCHERKE 21FEB05	SIZE: A1 00779 C=6450160
MATERIAL:	FINISH: #2	APVD: M. PERCHERKE 21FEB05	RESTRICTED TO: -
		PRODUCT SPEC: 108-1973	SCALE: 3:1
		APPLICATION SPEC: 114-13038	SHEET 9 OF 16
		WEIGHT: -	REV: G1
		Customer Drawing	

4805 (3/11)

LOC	DIST	REVISIONS			
P	LTN	DESCRIPTION	DATE	DMN	APVD
-	-	SEE SHEET 1	-	-	-

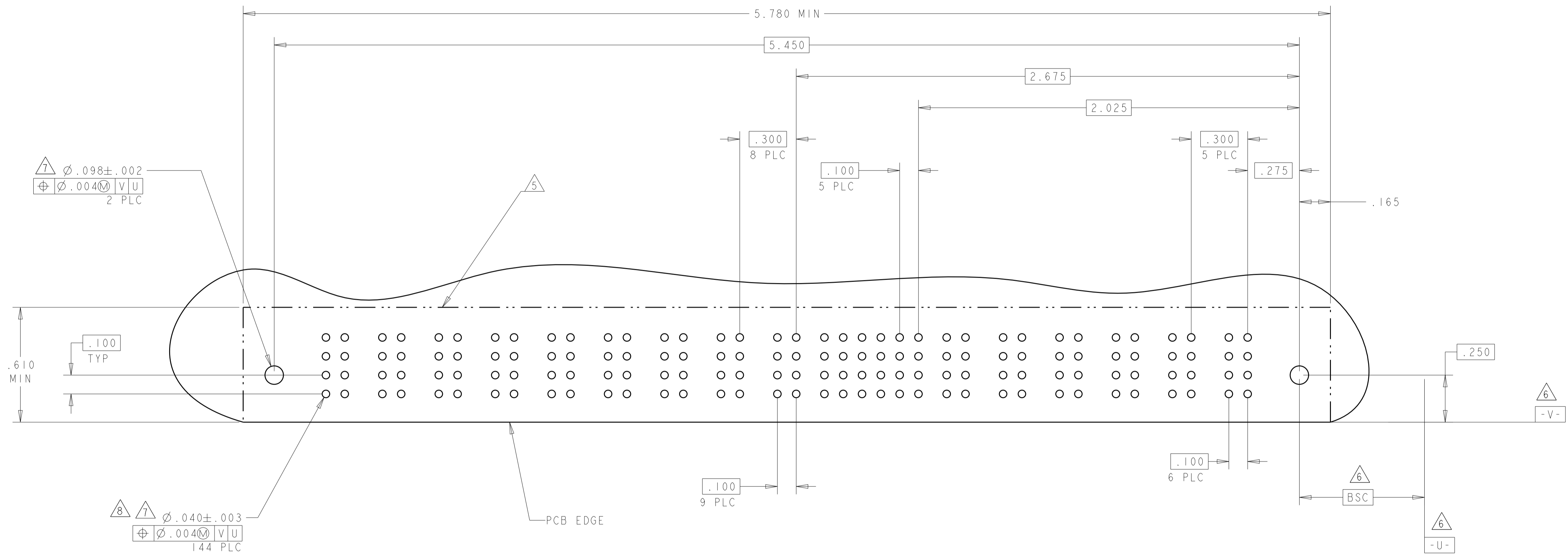
PART NUMBER	ROWS	AC POWER			SIGNAL					POWER																																	
		P15	P14	P13	5	4	3	2	1	P12	P11	P10	P9	P8	P7	P6	P5	P4	P3	P2	P1																						
1-6450160-8	D C B A	RA	RA	RA	H	H	H	H	H	RA	RA	RA	RA	RA	RA	RA	RA	RA	RA	RA	RA	RA	RA																				
					G	G	G	G	G																																		
					F	F	F	F	F																																		
12P + 20S + 3ACP		<table border="1"> <tr> <td>E</td><td>E</td><td>E</td><td>E</td><td>E</td> <td> </td><td> </td><td> </td><td> </td><td> </td><td> </td><td> </td><td> </td><td> </td><td> </td><td> </td><td> </td><td> </td><td> </td><td> </td><td> </td><td> </td> </tr> </table>																				E	E	E	E	E																	
E	E	E	E	E																																							



THIS DRAWING IS A CONTROLLED DOCUMENT.		DMN: R. GRZYBOWSKI 21FEB05	TE Connectivity														
DIMENSIONS: INCHES		CHK: M. PERCHERKE 21FEB05															
TOLERANCES UNLESS OTHERWISE SPECIFIED:		APVD: M. PERCHERKE 21FEB05	NAME: RIGHT ANGLE RECEPTACLE ASSEMBLY WITH GUIDES MULTI-BEAM XL														
<table border="1"> <tr><td>0 PLC</td><td>±</td></tr> <tr><td>1 PLC</td><td>±.01</td></tr> <tr><td>2 PLC</td><td>±.01</td></tr> <tr><td>3 PLC</td><td>±.005</td></tr> <tr><td>4 PLC</td><td>±.002</td></tr> <tr><td>ANGLES</td><td>±.2°</td></tr> <tr><td>FINISH</td><td></td></tr> </table>		0 PLC	±	1 PLC	±.01	2 PLC	±.01	3 PLC	±.005	4 PLC	±.002	ANGLES	±.2°	FINISH		PRODUCT SPEC: 108-1973	SIZE: A100779
0 PLC	±																
1 PLC	±.01																
2 PLC	±.01																
3 PLC	±.005																
4 PLC	±.002																
ANGLES	±.2°																
FINISH																	
MATERIAL:		APPLICATION SPEC: 114-13038	CAGE CODE: C=6450160														
		WEIGHT:	DRAWING NO: 6450160														
		Customer Drawing	SCALE: 3:1 SHEET 10 OF 16 REV: G1														

LOC	DIST	REVISIONS			
P	LTH	DESCRIPTION	DATE	DMN	APVD
-	-	SEE SHEET 1	-	-	-

PART NUMBER	ROWS	POWER								SIGNAL					POWER					HD								
		P15	P14	P13	P12	P11	P10	P9	P8	P7	P6	P5	P4	P3	P2	P1	P6	P5	P4		P3	P2	P1					
3-6450160-8	D C B A		RM	RM	RM		RM	RM	RM		H	H		H	H		RA											
											G	G		G	G													
											F	F		F	F													
											E	E		E	E													
6P + 24S + 9P																												



THIS DRAWING IS A CONTROLLED DOCUMENT.

DMN: R. GRZYBOWSKI 21FEB05  
CHK: M. PERCHERKE 21FEB05  
APVD: M. PERCHERKE 21FEB05

**STE** TE Connectivity

NAME: RIGHT ANGLE RECEPTACLE ASSEMBLY WITH GUIDES MULTI-BEAM XL

PRODUCT SPEC: 108-1973  
APPLICATION SPEC: 114-13038

SIZE: A100779 C=6450160  
WEIGHT: -

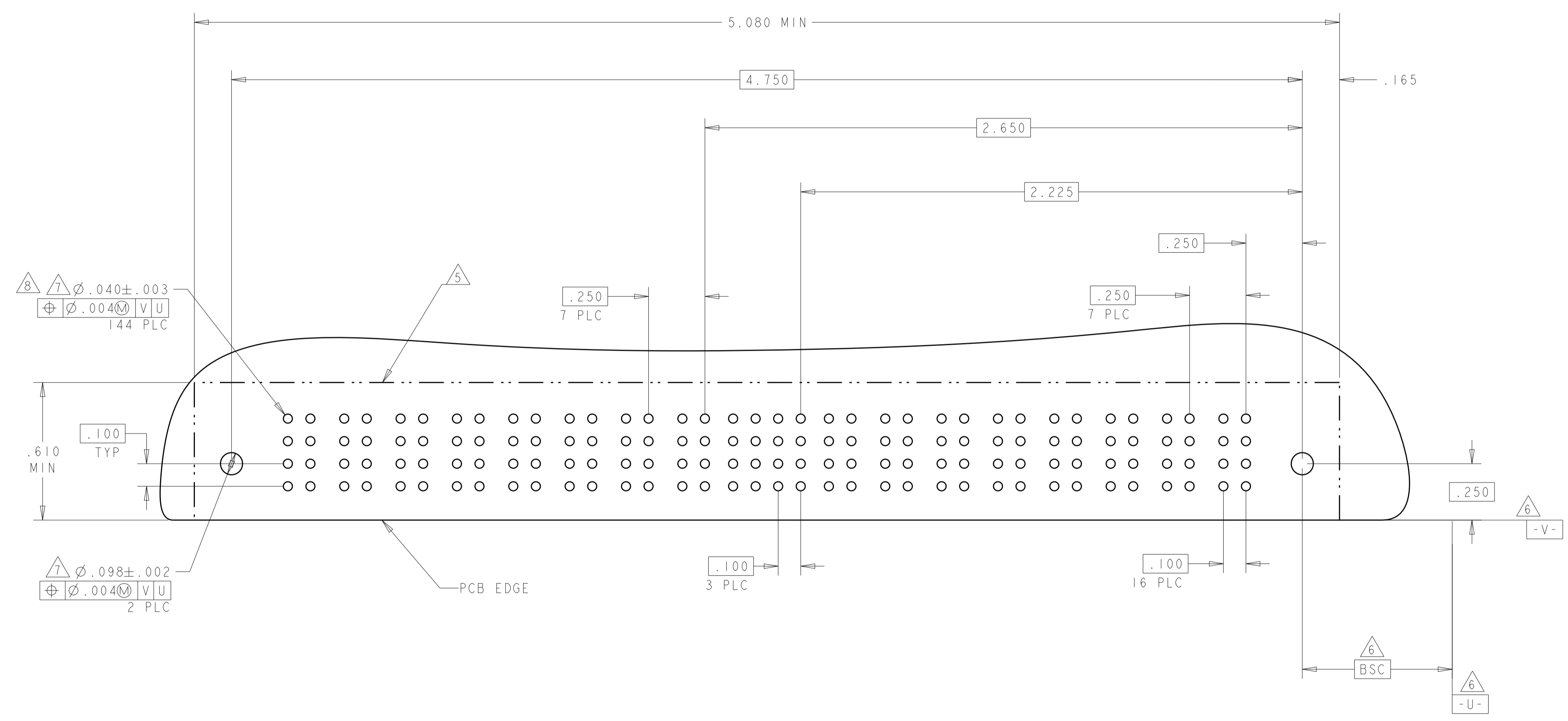
Customer Drawing SCALE: 3:1 SHEET 11 OF 16 REV: G1

DIMENSIONS: INCHES	TOLERANCES UNLESS OTHERWISE SPECIFIED:
0 PLC ±	1 PLC ±.01
2 PLC ±.01	3 PLC ±.005
4 PLC ±.002	ANGLES ±.2°
MATERIAL	FINISH

LOC	DIST	REVISIONS			
P	LTN	DESCRIPTION	DATE	DMN	APVD
-	-	SEE SHEET 1	-	-	-

PART NUMBER	ROWS	POWER							SIGNAL				POWER								
		P16	P15	P14	P13	P12	P11	P10	P9	4	3	2	1	P8	P7	P6	P5	P4	P3	P2	P1
3-6450160-9	D									H	H	H	H								
	C	RM	RM	RM	RM	RM	RM	RM	RM	G	G	G	G	RM	RM	RM	RM	RM	RM	RM	RM
	B									F	F	F	F								
	A	HD								E	E	E	E								HD
8P + 16S + 8P																					

(D5)

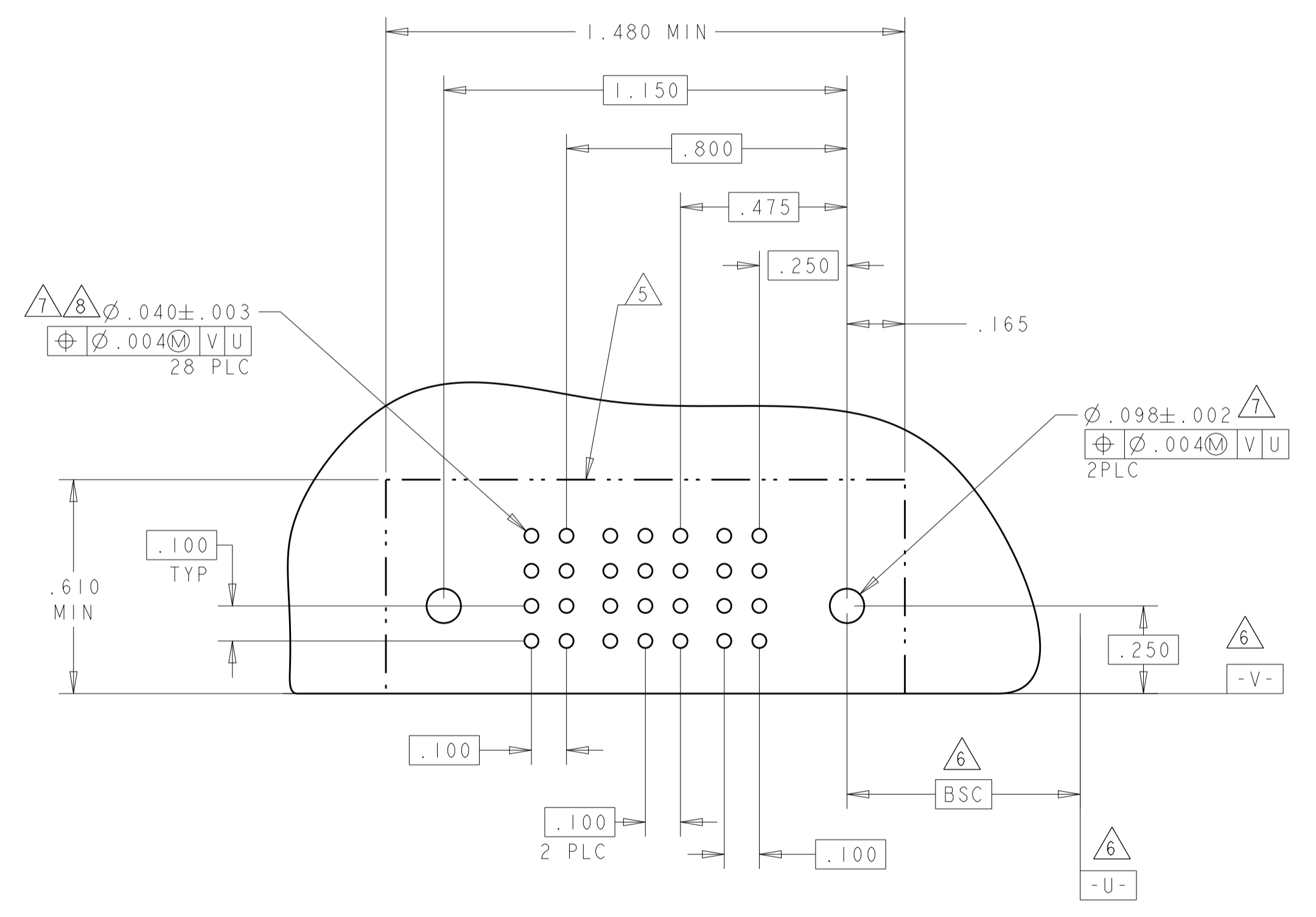
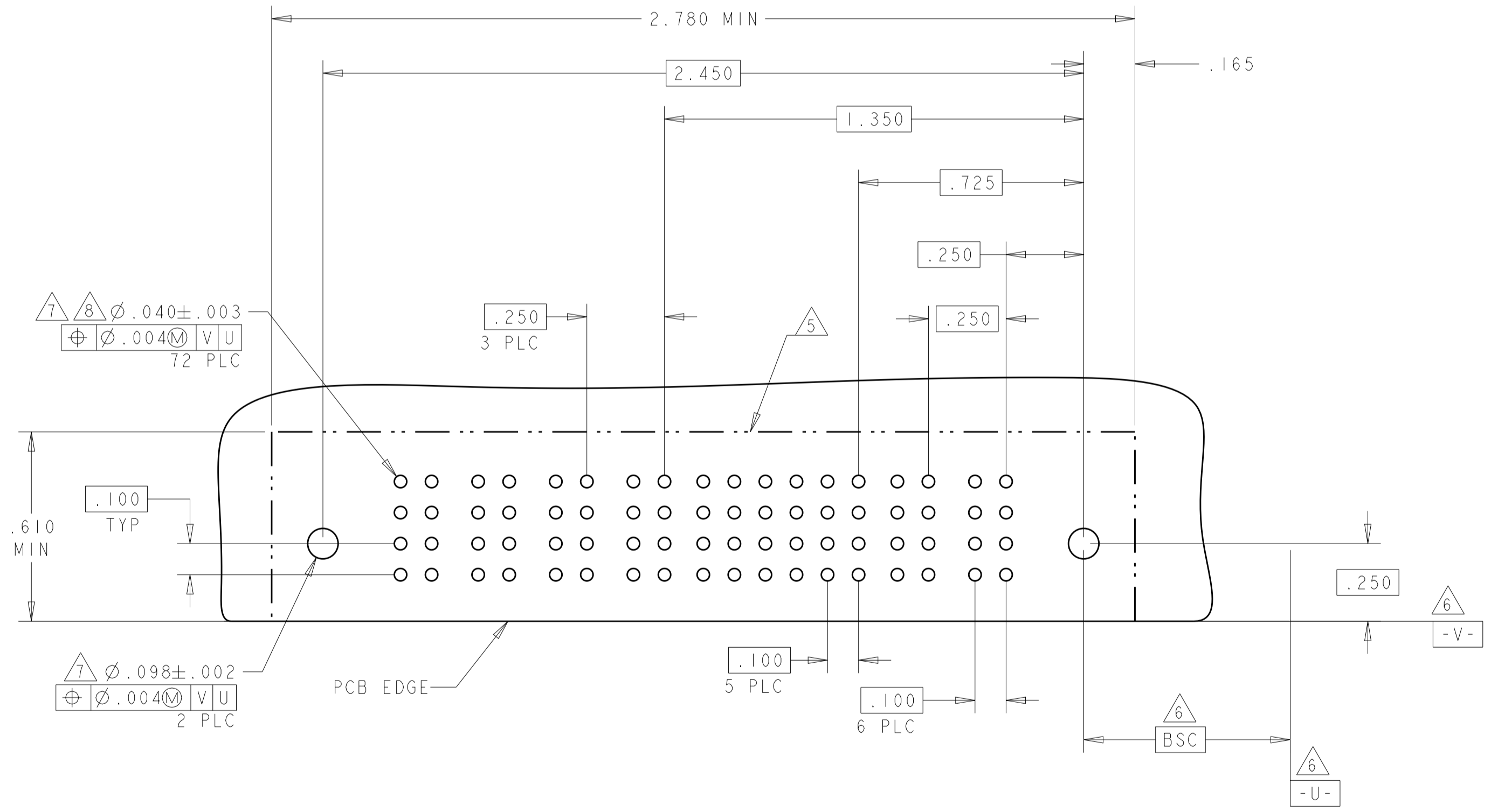


THIS DRAWING IS A CONTROLLED DOCUMENT.		DMN R. GRZYBOWSKI CHK M. PERCHERKE APVD M. PERCHERKE	Z1FEB05 Z1FEB05 Z1FEB05	TE Connectivity NAME RIGHT ANGLE RECEPTACLE ASSEMBLY WITH GUIDES MULTI-BEAM XL
DIMENSIONS: INCHES	TOLERANCES UNLESS OTHERWISE SPECIFIED:	PRODUCT SPEC 108-1973 APPLICATION SPEC 114-13038 WEIGHT - MATERIAL FINISH		
0 PLC ± 1 PLC ±.01 2 PLC ±.01 3 PLC ±.005 4 PLC ±.002 ANGLES ±.2°		SIZE A100779	CAGE CODE C=6450160	RESTRICTED TO -
Customer Drawing		SCALE 3:1	SHEET 12	OF 16
		REV G1		

LOC	DIST	REVISIONS					
		P	LTN	DESCRIPTION	DATE	DNM	APVD
GP	00	-	-	SEE SHEET 1	-	-	-

PART NUMBER	ROWS	POWER				SIGNAL						POWER		
		P6	P5	P4	P3	6	5	4	3	2	1	P2	P1	
4-6450160-0	D	RM	RM	RM	RM	H	H	H	H	H	H	RM	RM	
	C					G	G	G	G	G	G			
	B					F	F	F	F	F	F			
	A					E	E	E	E	E	E			
2P + 24S + 4P		HD												HD

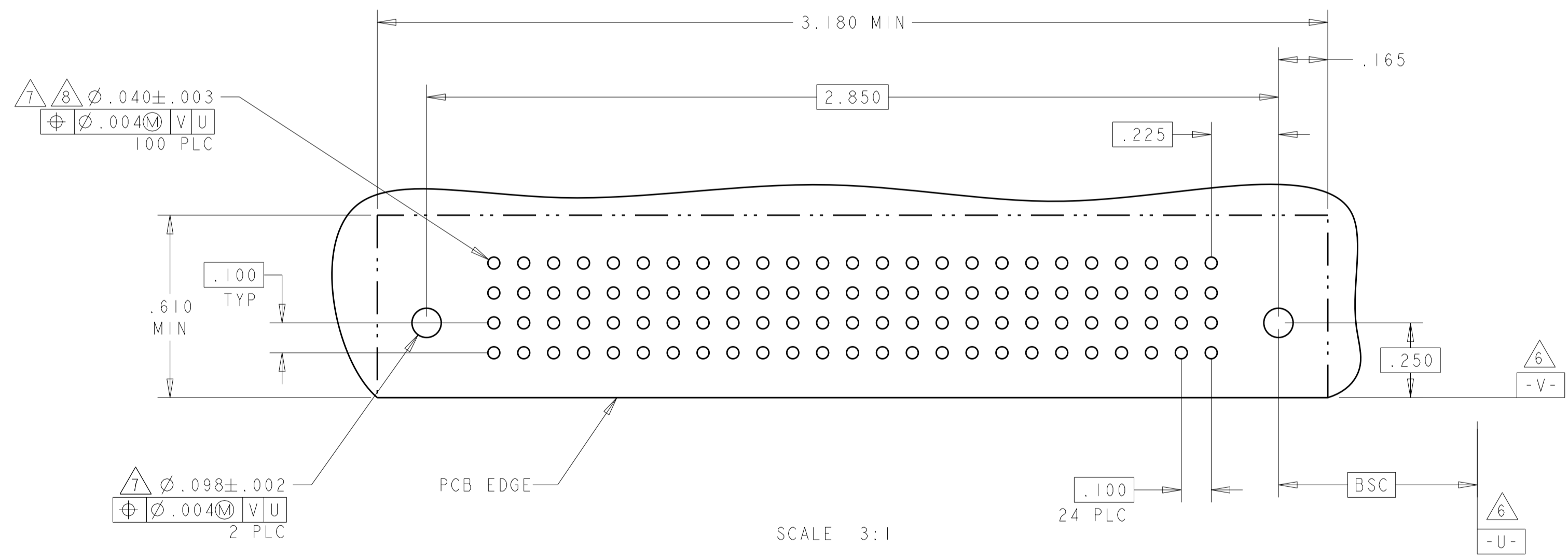
PART NUMBER	ROWS	POWER		SIGNAL			POWER		
		P2	P1	3	2	1	P2	P1	
4-6450160-1	D	RM	RM	H	H	H	RM	RM	
	C			G	G	G			
	B			F	F	F			
	A			E	E	E			
IP + 12S + IP		HD							HD



THIS DRAWING IS A CONTROLLED DOCUMENT.		DNM: R.GRZYBOWSKI 21FEB05		TE Connectivity
DIMENSIONS: INCHES		CHK: M.PERCHEKKE 21FEB05		NAME: RIGHT ANGLE RECEPTACLE ASSEMBLY WITH GUIDES MULTI-BEAM XL
TOLERANCES UNLESS OTHERWISE SPECIFIED:		APVD: M.PERCHEKKE 21FEB05	PRODUCT SPEC: 108-1973	RESTRICTED TO: -
0 PLC ± 2 PLC ±.01 3 PLC ±.05 4 PLC ±.002 ANGLES ±7° FINISH		APPLICATION SPEC: 114-13038	SIZE: A100779C=6450160	SCALE: 3:1
MATERIAL:		WEIGHT:	Customer Drawing	SHEET 13 OF 16 REV G1

LOC	DIST	REVISIONS					
		P	LTN	DESCRIPTION	DATE	DMN	APVD
GP	00	-	-	SEE SHEET 1	-	-	-

PART NUMBER	ROWS	SIGNAL																								
		25	24	23	22	21	20	19	18	17	16	15	14	13	12	11	10	9	8	7	6	5	4	3	2	1
4-6450160-4	D	H	H	H	H	H	H	H	H	H	H	H	H	H	H	H	H	H	H	H	H	H	H	H	H	H
	C	G	G	G	G	G	G	G	G	G	G	G	G	G	G	G	G	G	G	G	G	G	G	G	G	G
	B	F	F	F	F	F	F	F	F	F	F	F	F	F	F	F	F	F	F	F	F	F	F	F	F	F
	A	E	E	E	E	E	E	E	E	E	E	E	E	E	E	E	E	E	E	E	E	E	E	E	E	E
100S																										



THIS DRAWING IS A CONTROLLED DOCUMENT.

DMN: R. GRZYBOWSKI 21FEB05  
 CHK: M. PERCHERKE 21FEB05  
 APVD: M. PERCHERKE 21FEB05

**STE** TE Connectivity

NAME: RIGHT ANGLE RECEPTACLE ASSEMBLY WITH GUIDES MULTI-BEAM XL

PRODUCT SPEC: 108-1973  
 APPLICATION SPEC: 114-13038

SIZE: A1 00779 C=6450160  
 CAGE CODE: 114-13038  
 DRAWING NO: 6450160

MATERIAL: Customer Drawing  
 FINISH: -

WEIGHT: -

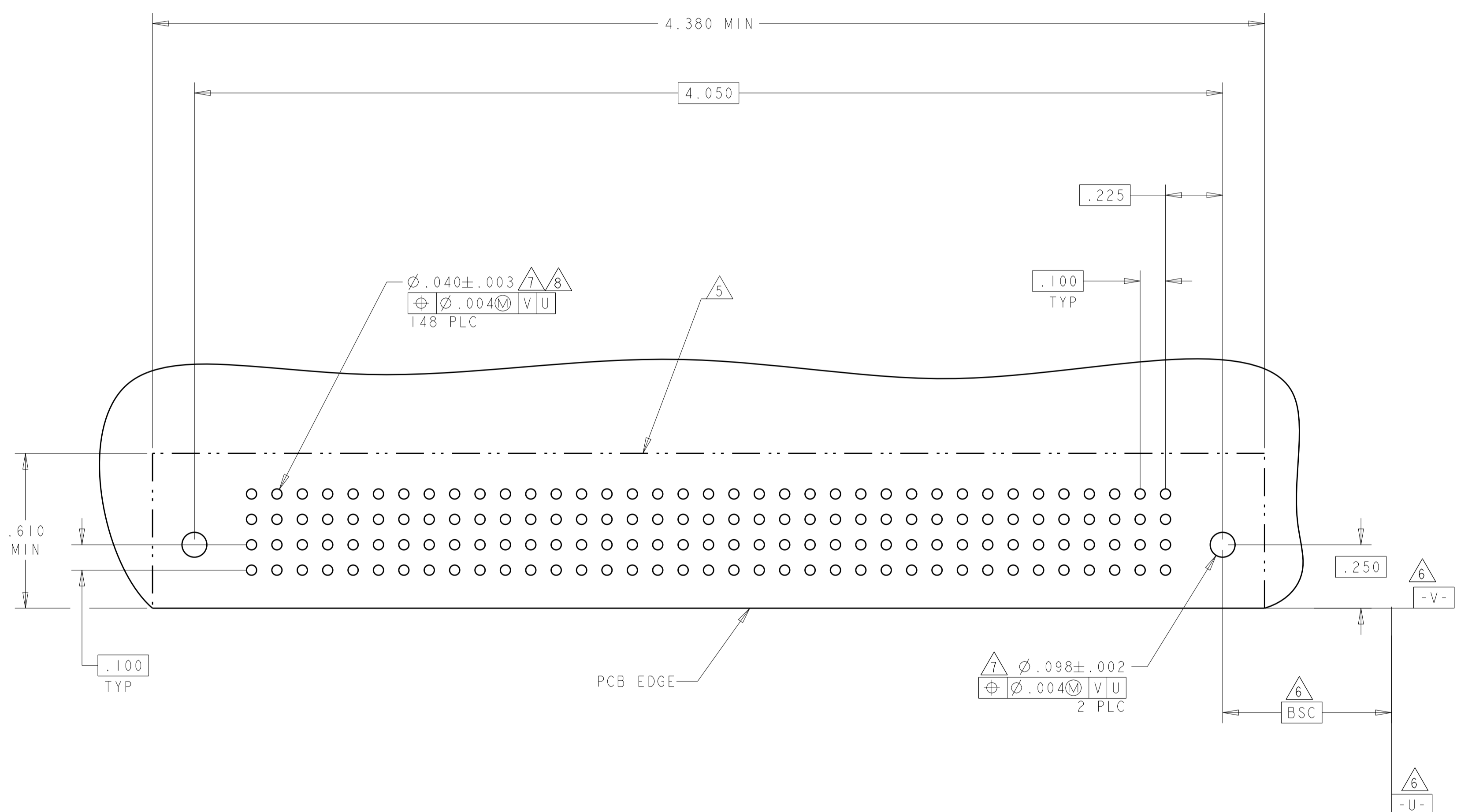
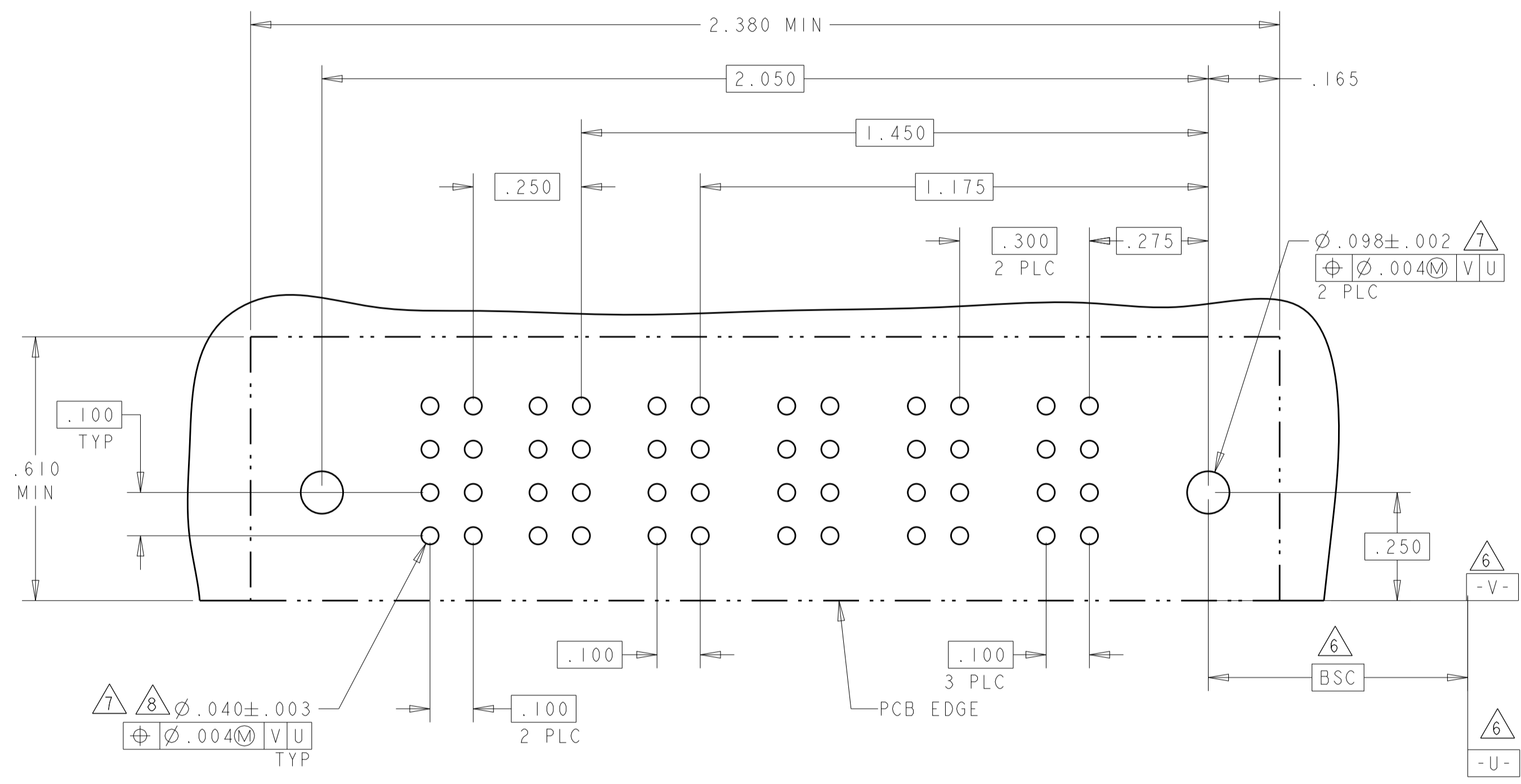
RESTRICTED TO: -

SCALE: 3:1 SHEET 14 OF 16 REV: G1

LOC	DIST	REVISIONS			
P	LTN	DESCRIPTION	DATE	DWN	APVD
-	-	SEE SHEET 1	-	-	-

PART NUMBER	ROWS	POWER		SIGNAL		POWER		
		P5	P4	2	1	P3	P2	P1
2-6450160-7	D	RM	RM	H	H	RM	RM	RM
	C			G	G			
	B			F	F			
	A			E	E			
3ACP + 8S + 2P		HD						HD

PART NUMBER	ROWS	SIGNAL																																				
		37	36	35	34	33	32	31	30	29	28	27	26	25	24	23	22	21	20	19	18	17	16	15	14	13	12	11	10	9	8	7	6	5	4	3	2	1
4-6450160-6	D	H	H	H	H	H	H	H	H	H	H	H	H	H	H	H	H	H	H	H	H	H	H	H	H	H	H	H	H	H	H	H	H	H	H	H	H	H
	C	G	G	G	G	G	G	G	G	G	G	G	G	G	G	G	G	G	G	G	G	G	G	G	G	G	G	G	G	G	G	G	G	G	G	G	G	G
	B	F	F	F	F	F	F	F	F	F	F	F	F	F	F	F	F	F	F	F	F	F	F	F	F	F	F	F	F	F	F	F	F	F	F	F	F	F
	A	E	E	E	E	E	E	E	E	E	E	E	E	E	E	E	E	E	E	E	E	E	E	E	E	E	E	E	E	E	E	E	E	E	E	E	E	E
148S		HD																																				HD



THIS DRAWING IS A CONTROLLED DOCUMENT.

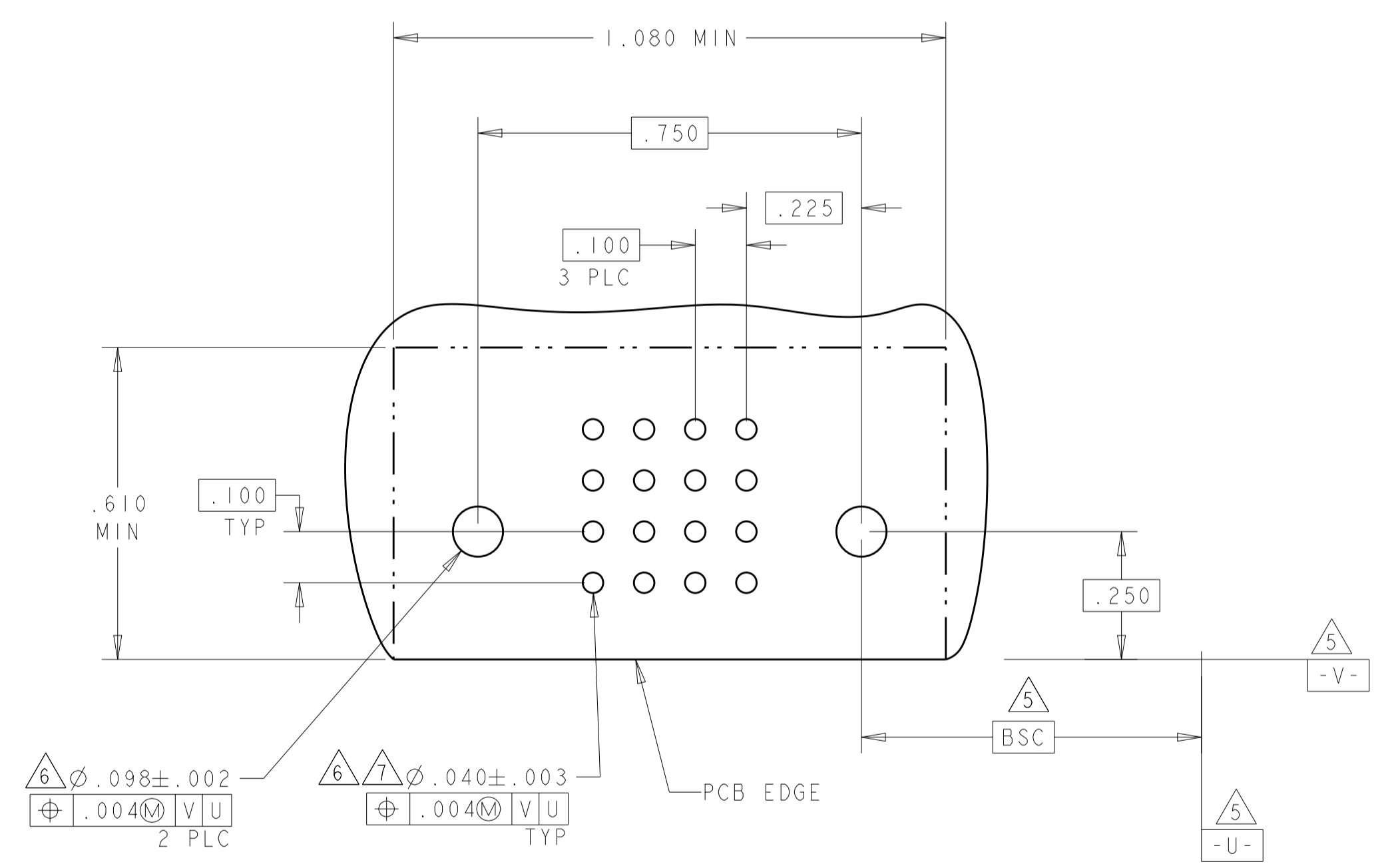
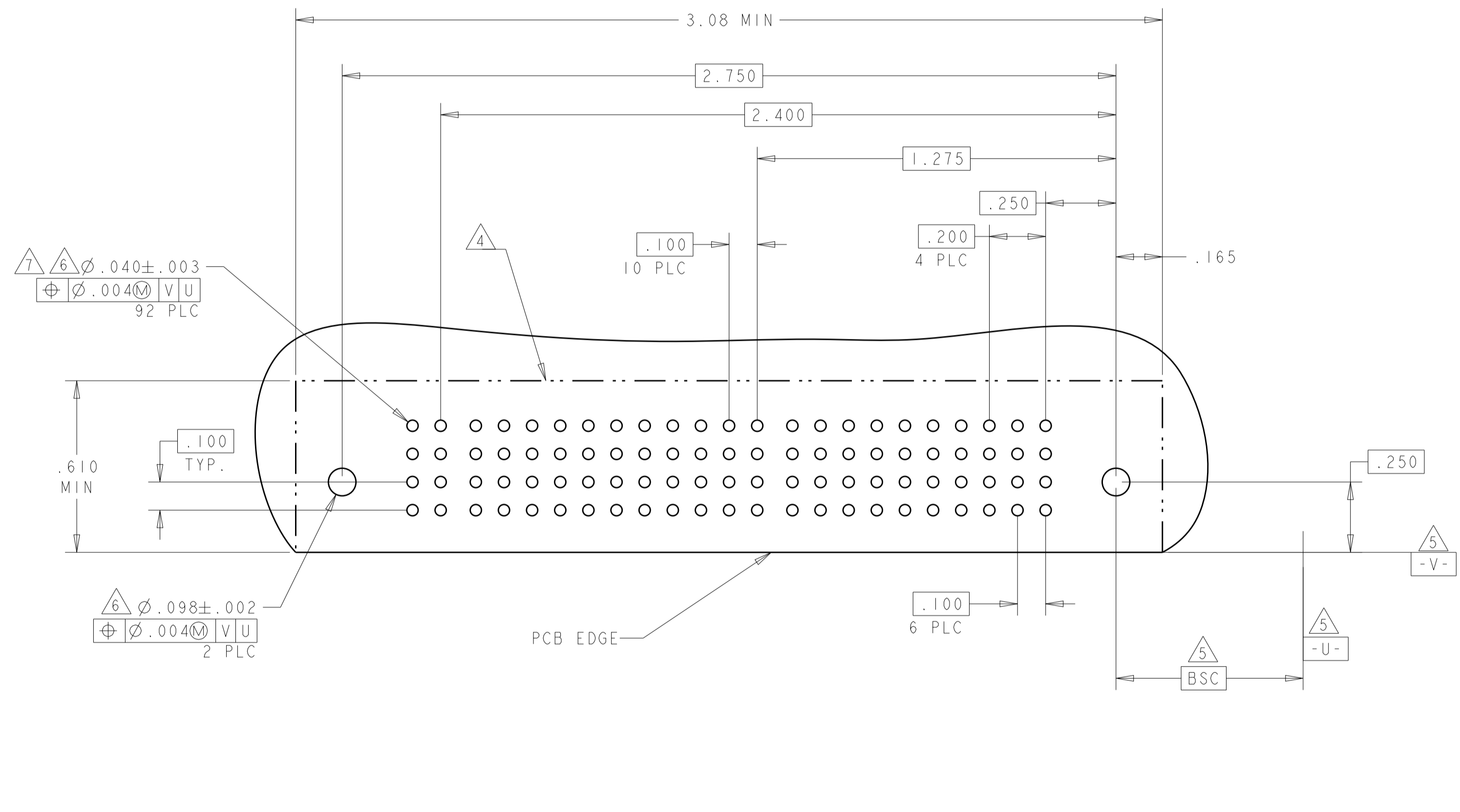
DIMENSIONS:	TOLERANCES UNLESS OTHERWISE SPECIFIED:	DWN: R. GRZYBOWSKI 21FEB05	CHK: M. PERCHERKE 21FEB05	APVD: M. PERCHERKE 21FEB05	NAME: RIGHT ANGLE RECEPTACLE ASSEMBLY WITH GUIDES MULTI-BEAM XL
INCHES	0 PLC ± 1 PLC ±.01 2 PLC ±.01 3 PLC ±.005 4 PLC ±.002 ANGLES ±.2°	PRODUCT SPEC: 108-1973	APPLICATION SPEC: 114-13038	WEIGHT: -	SIZE: A100779
MATERIAL:	FINISH:	Customer Drawing	SCALE: 3:1	SHEET: 15 OF 16	REV: G1

4805 (3/11)

LOC	DIST	REVISIONS			
P	LTN	DESCRIPTION	DATE	OWN	APVD
-	-	SEE SHEET 1	-	-	-

PART NUMBER	ROWS	SIGNAL										POWER					
		P6	I1	I0	9	8	7	6	5	4	3	2	1	P5	P4	P3	P2
4-6450160-8	D C B A	H	H	H	H	H	H	H	H	H	H	H	RM	RM	RM	RM	RM
		G	G	G									RM	RM	RM	RM	RM
		F	F										RM	RM	RM	RM	RM
5P + 44S + IP		E	E	E	E	E	E	E	E	E	E	HD				HD	

PART NUMBER	ROWS	SIGNAL			
		4	3	2	1
4-6450160-9	D	H	H	H	H
	C	G	G	G	G
	B	F	F	F	F
	A	E	E	E	E
16S		HD			HD



THIS DRAWING IS A CONTROLLED DOCUMENT.

OWN: R. GRZYBOWSKI, Z1FEB05  
 CHK: M. PERCHERKE, Z1FEB05  
 APVD: M. PERCHERKE, Z1FEB05

**STE** TE Connectivity

NAME: RIGHT ANGLE RECEPTACLE ASSEMBLY WITH GUIDES MULTI-BEAM XL

PRODUCT SPEC: 108-1973  
 APPLICATION SPEC: 114-13038

SIZE: A1, CAGE CODE: 6450160, DRAWING NO: 100779

RESTRICTED TO: -

Customer Drawing, SCALE: 3:1, SHEET 16 OF 16, REV: G1