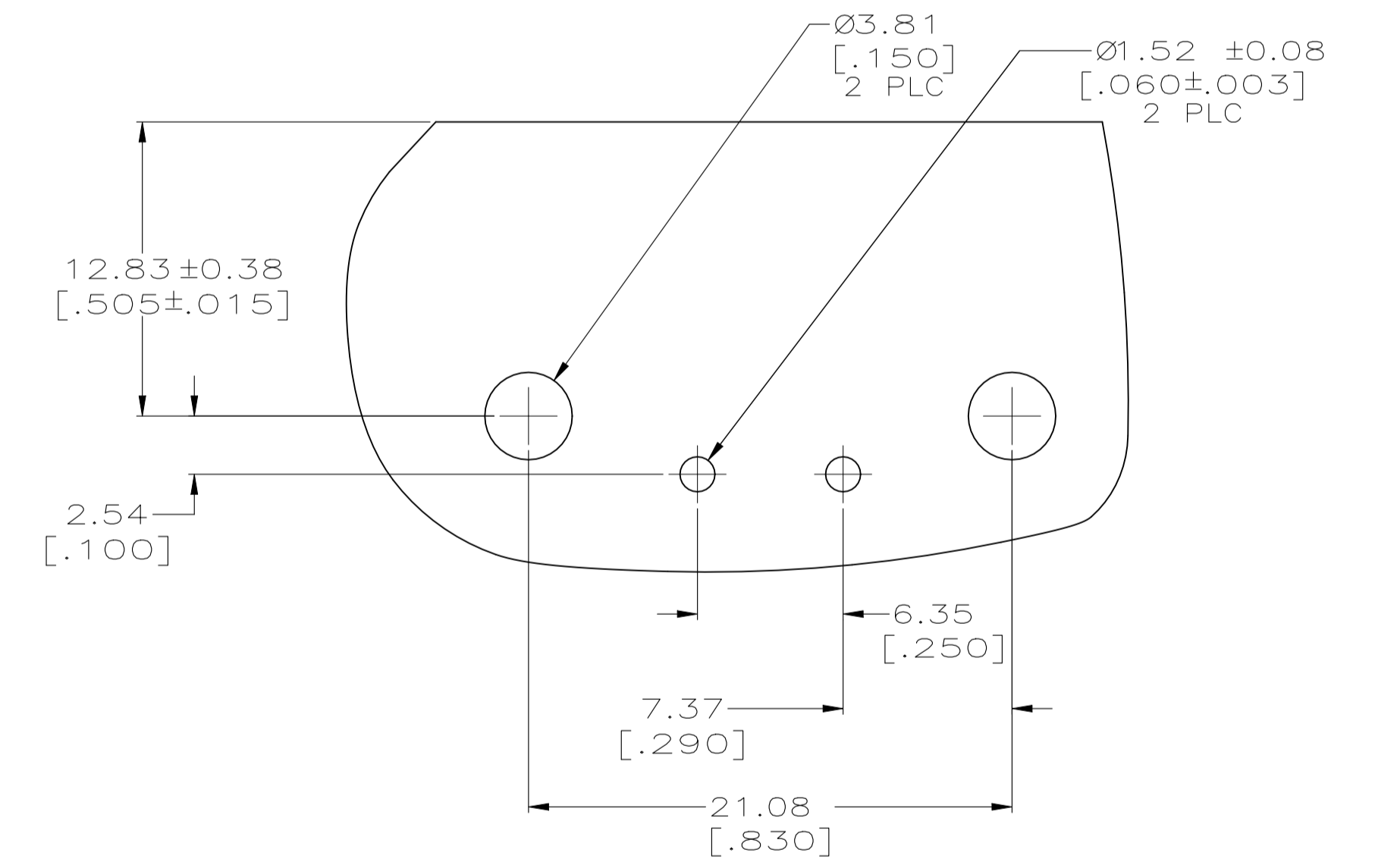
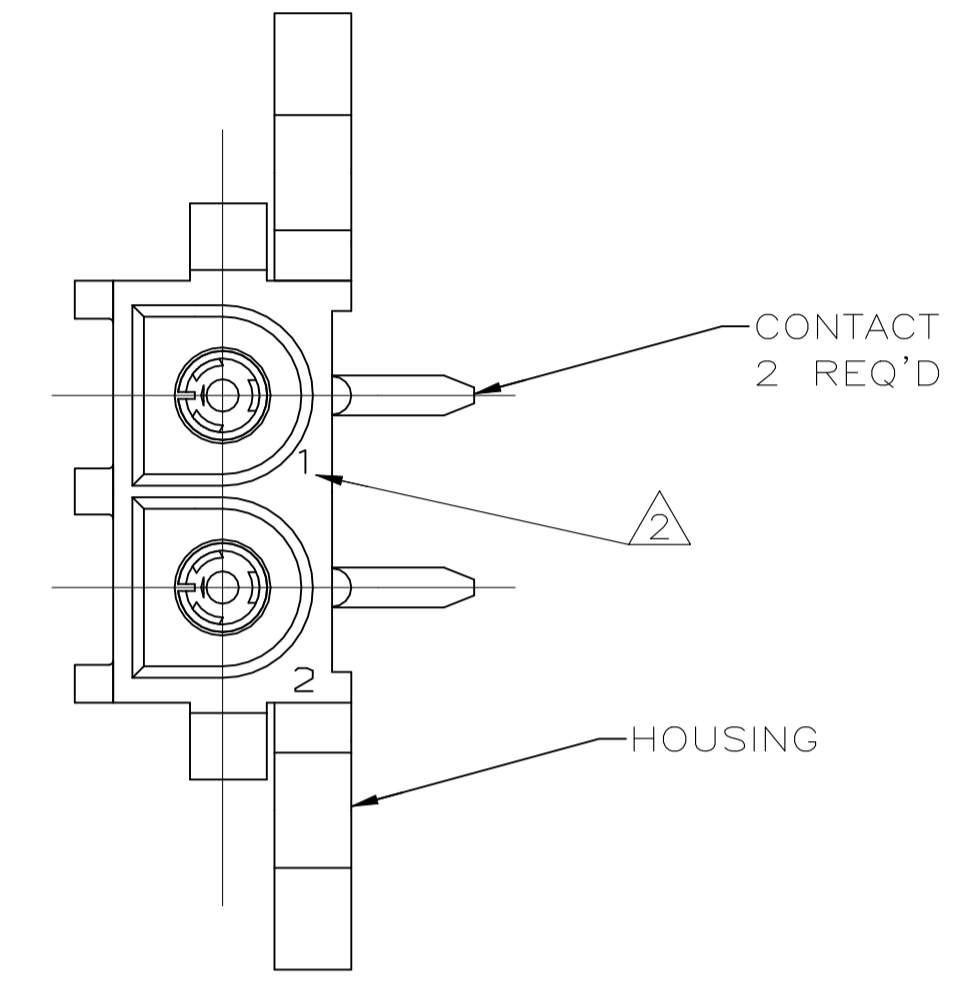
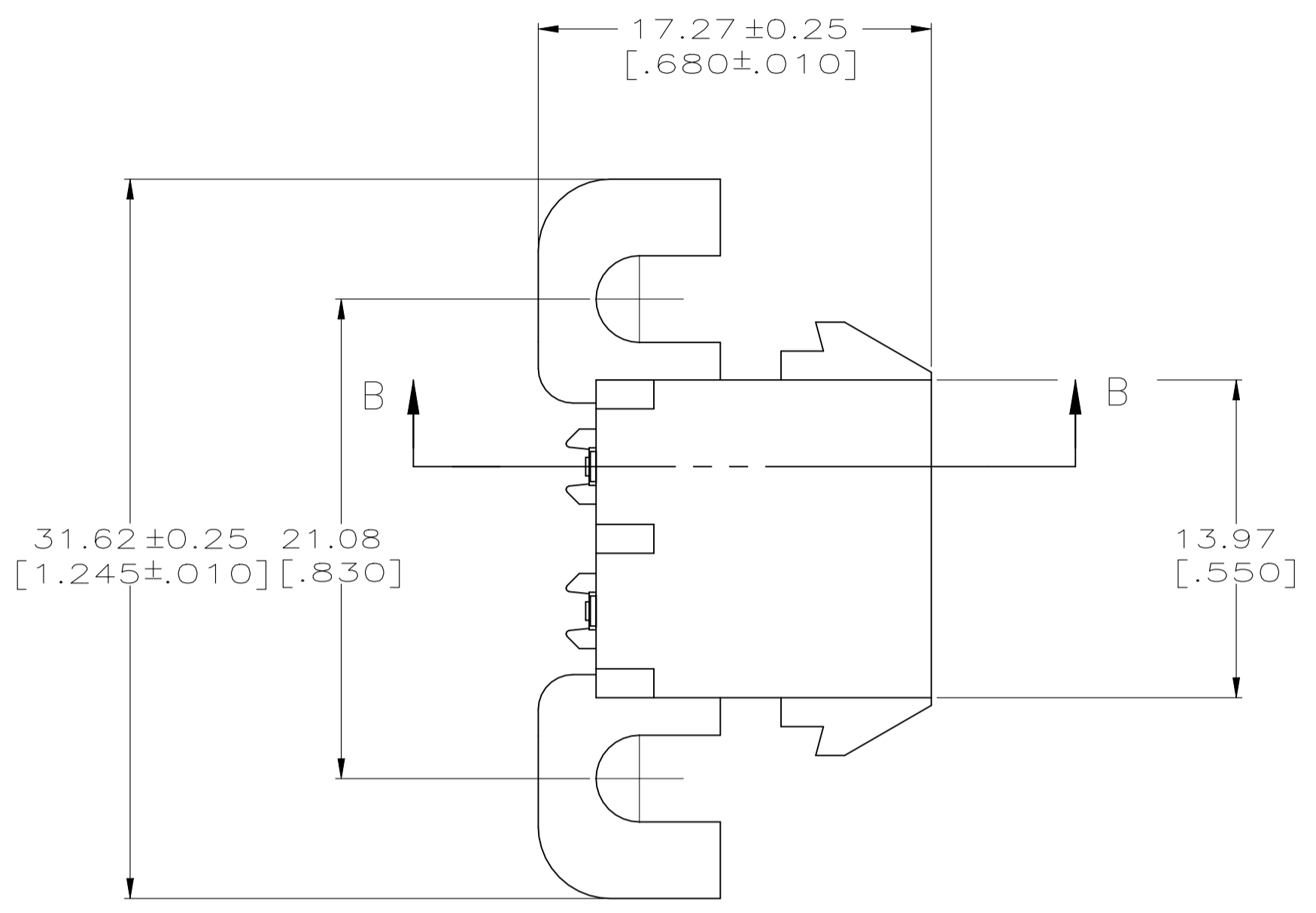
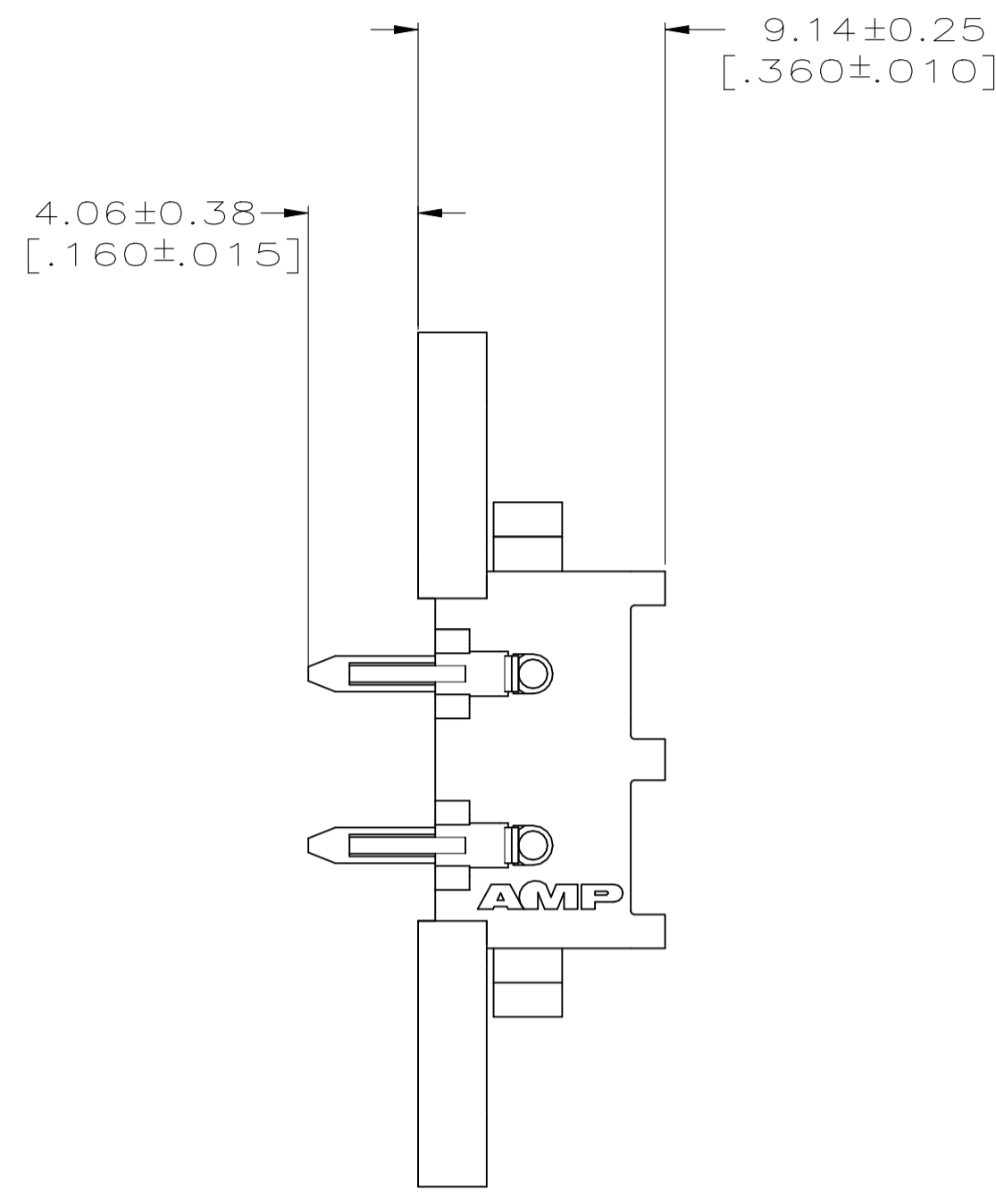
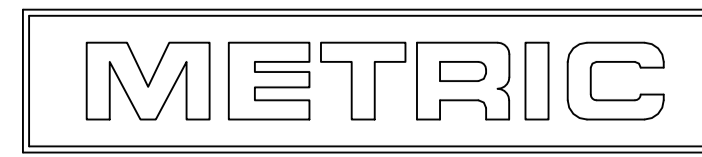
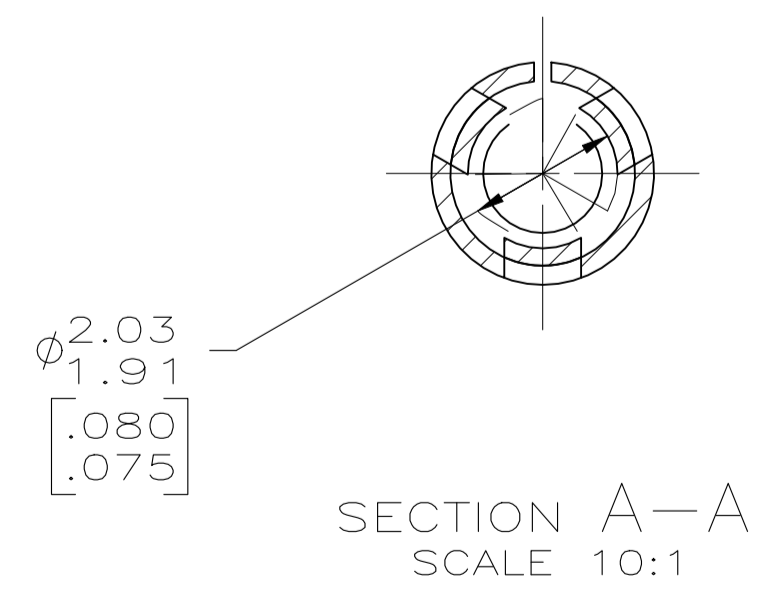
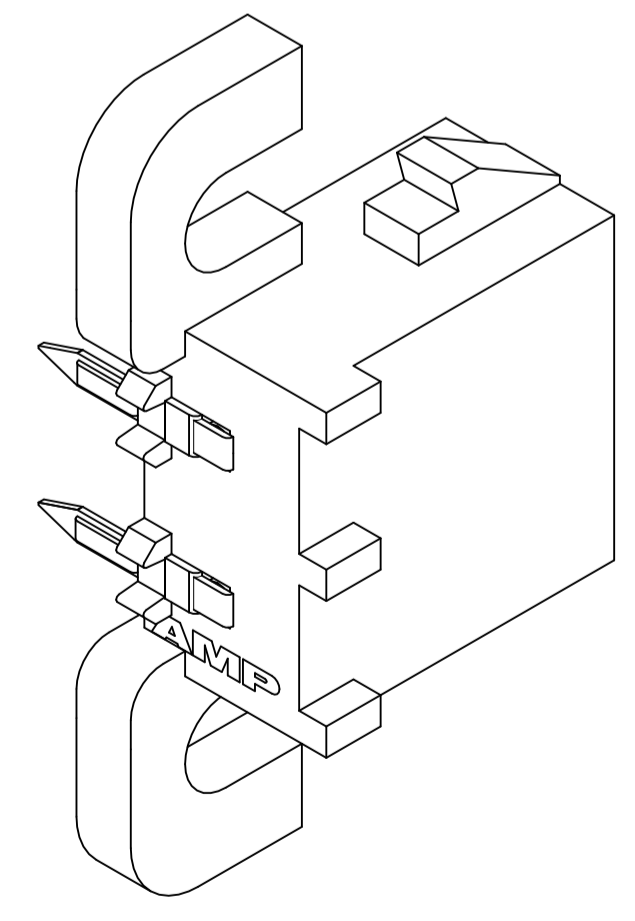
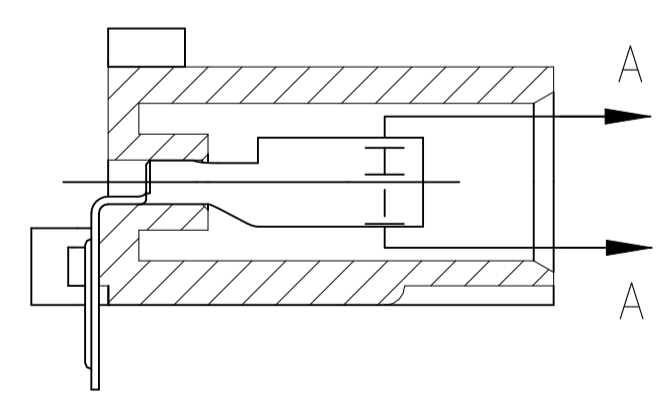


REVISIONS					
P	LTR	DESCRIPTION	DATE	DN	APVD
B1		REVISED PER ECR-21-118222	22JUL2022	AVN	VS

- PARTS COMPLY WITH AMP SOLDERABILITY SPECIFICATION 109-11-5.
- CIRCUIT IDENTIFICATION CHARACTERS ARE ADJACENT TO THE INDICATED CAVITIES, BUT LOCATION AND ORIENTATION MAY DIFFER FROM PRINT.
- DIMENSIONS IN BRACKETS ARE IN INCHES.
- DIMENSIONS SHOWN REPRESENT PRODUCT IN DRY CONDITION. ADDITIONAL 2% GROWTH DUE TO END USE LOCATION MOISTURE ABSORPTION MAY OCCUR AND SHOULD BE ACCOUNTED FOR.



RECOMMENDED MOUNTING HOLE PATTERN FOR .062 [1.57] THICK P.C. BOARD



THIS DRAWING IS A CONTROLLED DOCUMENT.

DIMENSIONS:	TOLERANCES UNLESS OTHERWISE SPECIFIED:
INCHES	0. PLC ± -
	1. PLC ± -
	2. PLC ± -
	3. PLC ± 0.13[.005]
	4. PLC ± -
	ANGLES ± 9° 30'
MATERIAL	FINISH
SEE TABLE	SEE TABLE

PH BRZ TIN	NYLON UL 94V-0	643226-1
CONTACT	HOUSING	PART NO
DIN 4-30-98 R. LEWIS	4-30-98	
CIRK 4-30-98		
R. SWING 4-30-98		
PC COBLE 4-30-98		
APVD	NAME	
PRODUCT SPEC		
APPLICATION SPEC		
SIZE	CAGE CODE	DRAWING NO
WEIGHT	0.000000	A1 00779
CUSTOMER DRAWING	SCALE 4:1	SHEET 1 of 1 REV B1