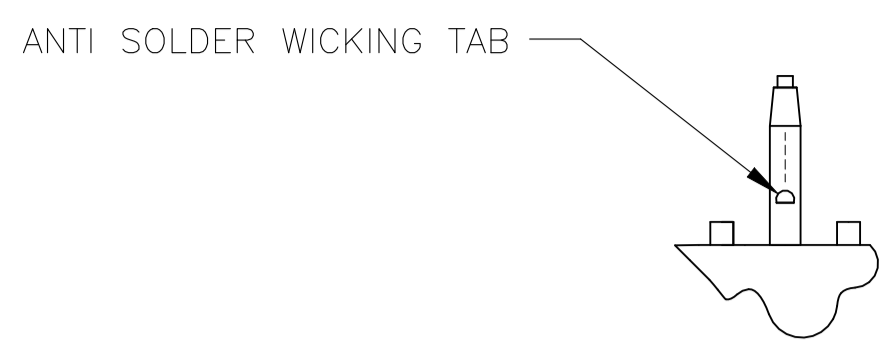
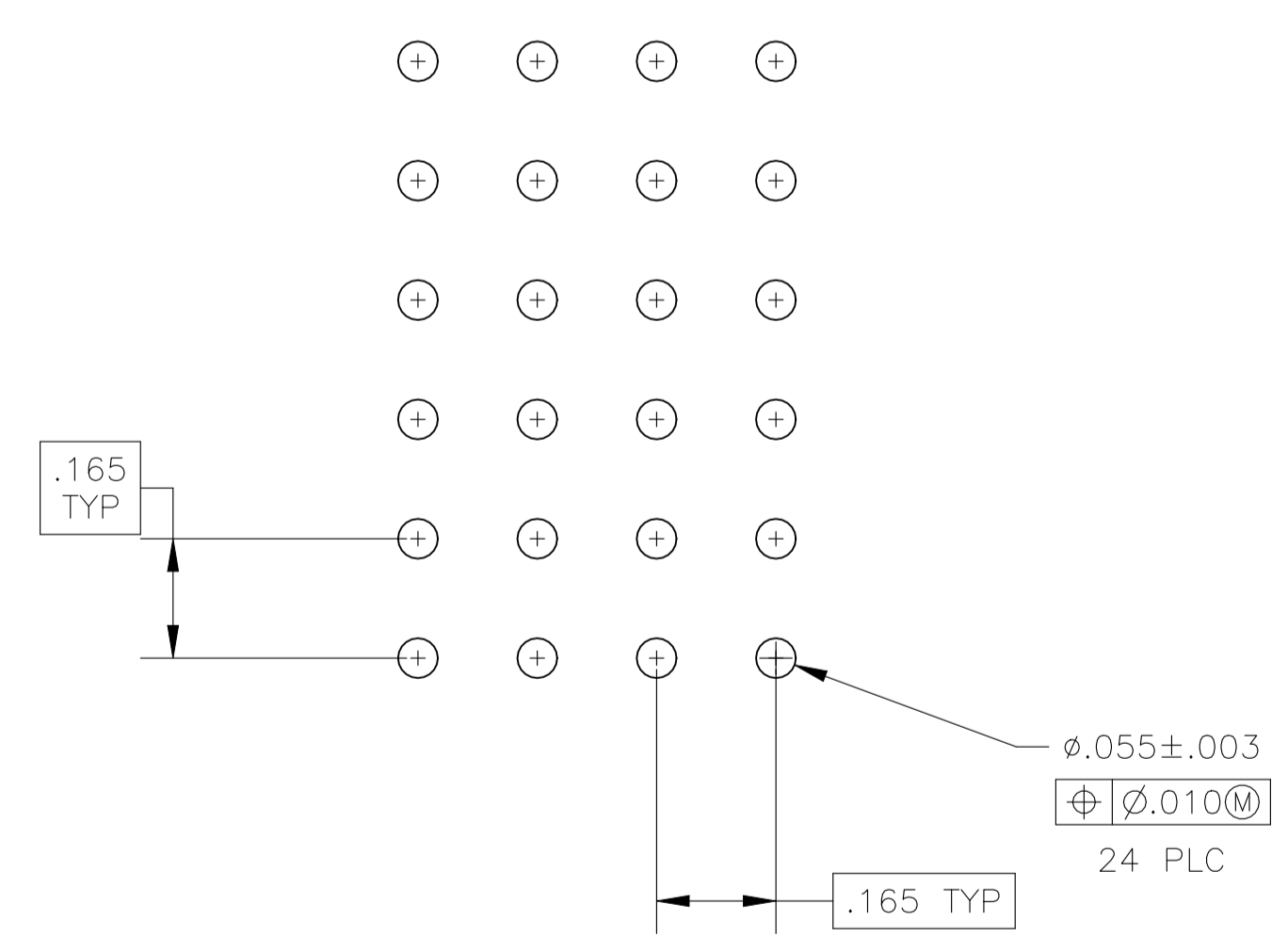
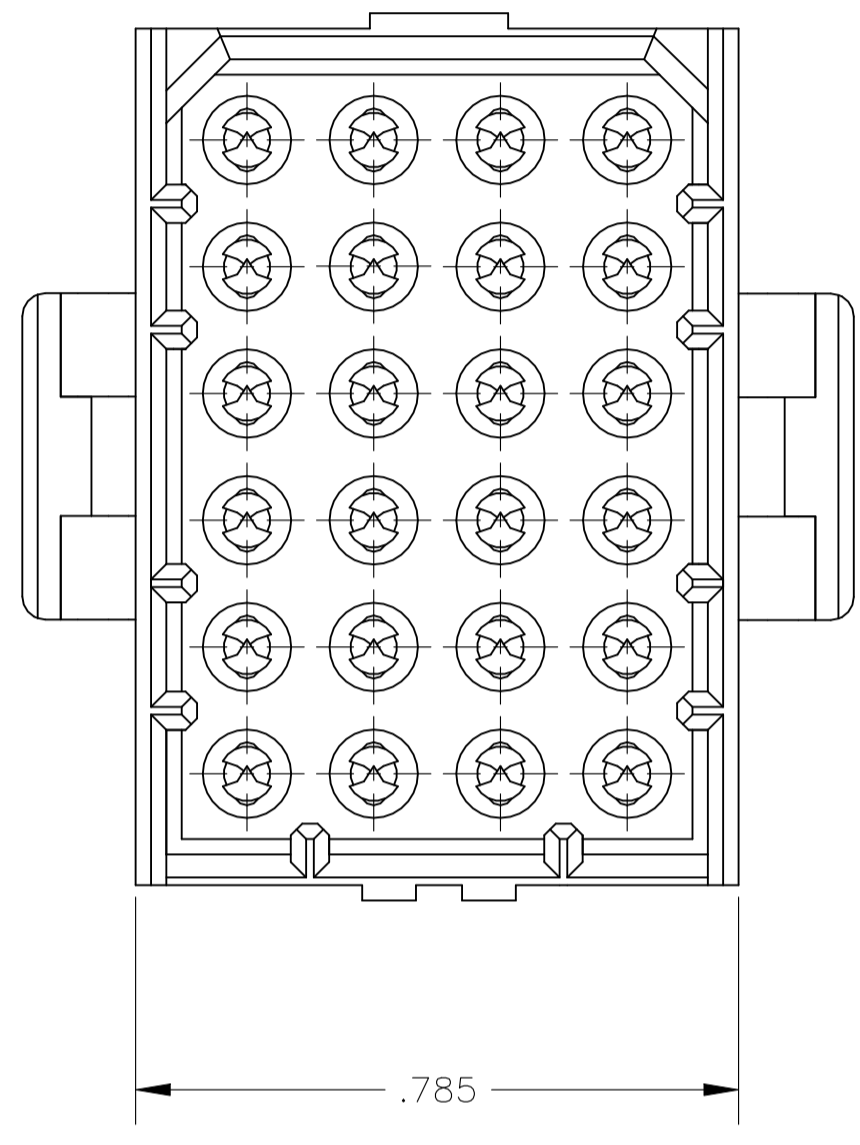
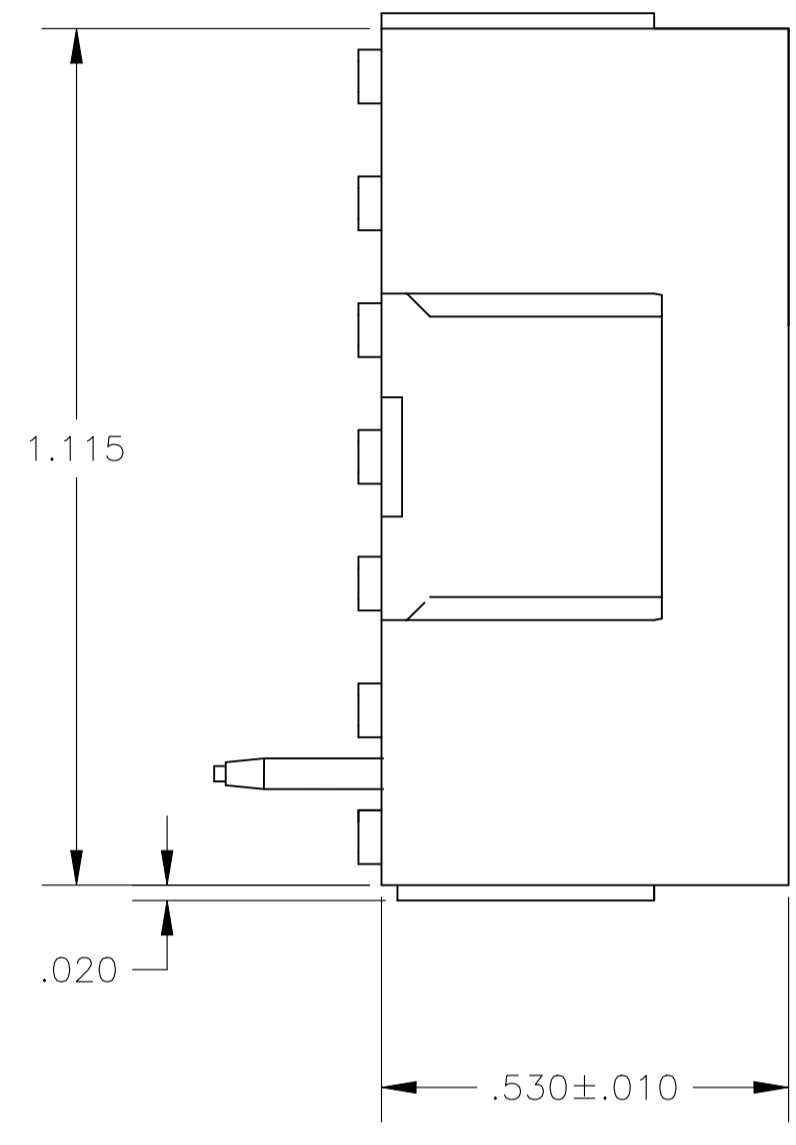
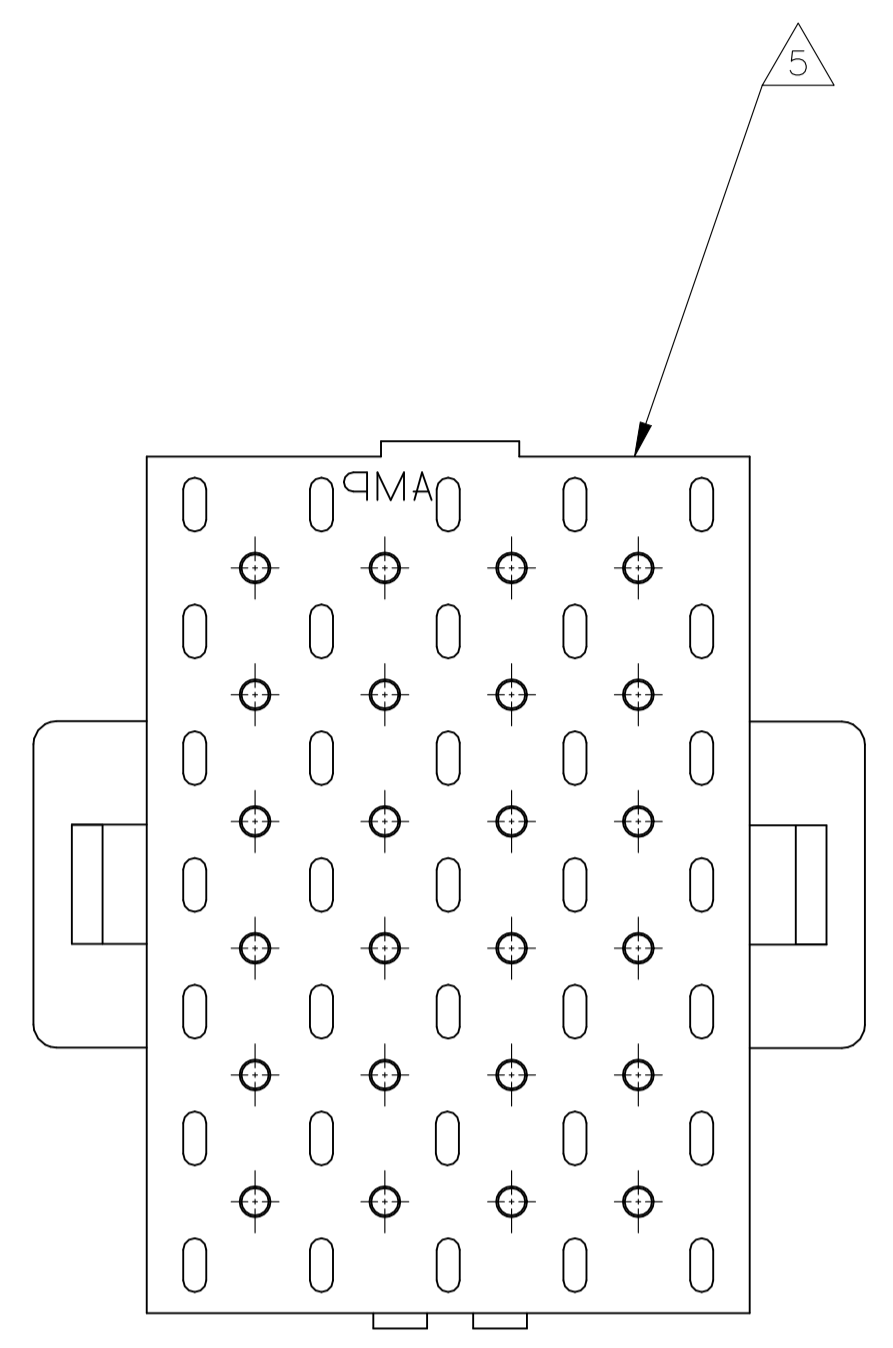


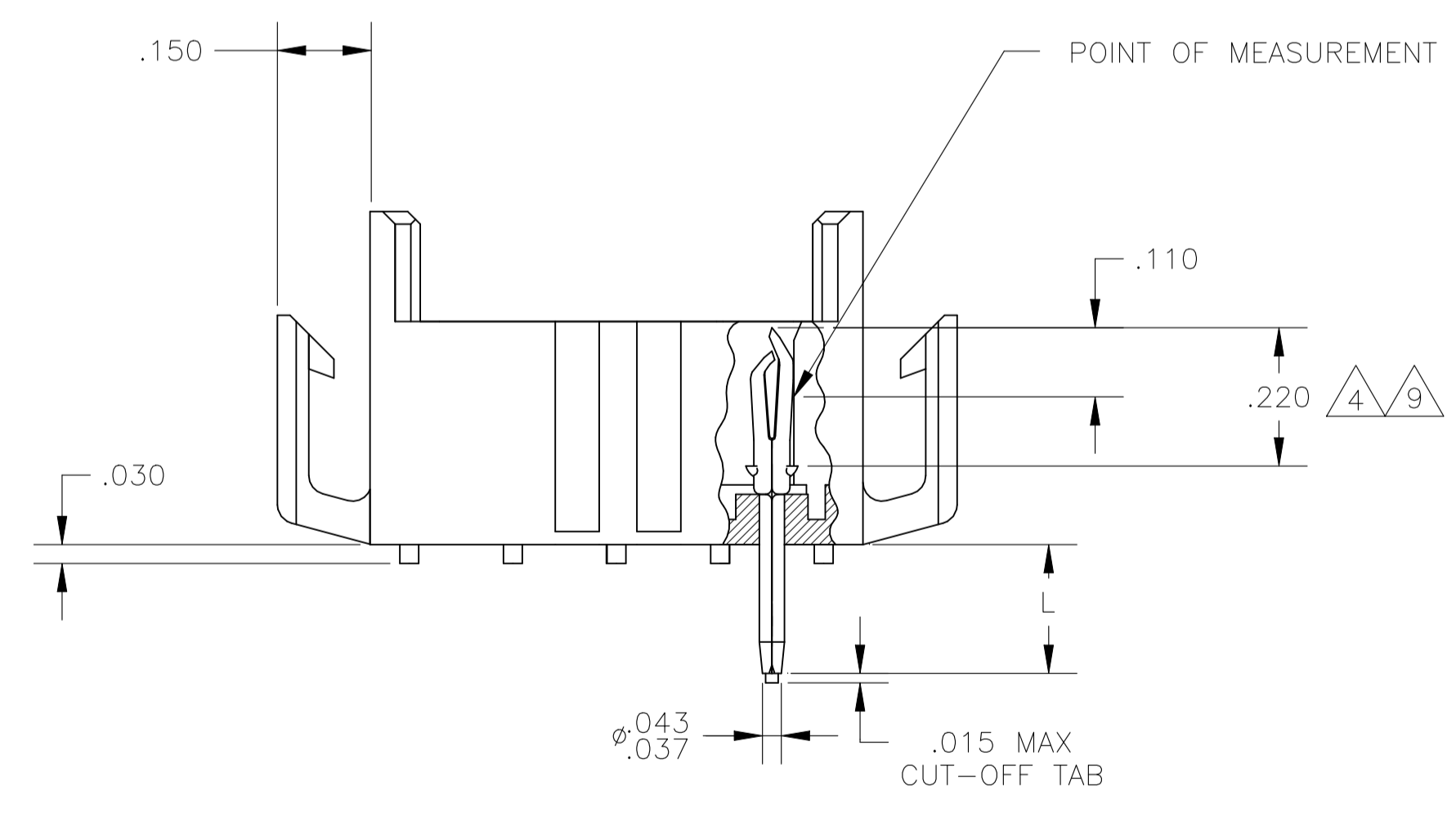
REVISIONS					
P	LTR	DESCRIPTION	DATE	DN	APVD
V		REVISED PER ECO-21-006899	14DEC2021	RK	MZ



- 1 FITS SOCKET HOUSING 640525.
- 2 ASSEMBLY CONFORMS TO AMP SOLDERABILITY SPEC. 109-11-3.
- 3 FOR USE WITH .063 THICK P.C. BOARD.
- 4 CONTACT IS PLATED OVERALL WITH .000050 NICKEL, THEN .000030 GLD OVER CONTACT LENGTH INDICATED AND .000150 MATTE TIN-LEAD ON SOLDER TAIL END.
- 5 UL AND CSA LOGO LOCATED ON THIS SURFACE.
- 6 FOR USE WITH .120 THICK P.C. BOARD.
- 7 FOR USE WITH .093 THICK P.C. BOARD.
- 8 TRAY PACKAGED VERSION OF 640505-1. PACKAGED 54 PCS. PER TRAY AND 7 TRAYS PER BOX.
- 9 CONTACT IS PLATED OVERALL WITH .000050 NICKEL, THEN .000030 GLD OVER CONTACT LENGTH INDICATED AND .000150 MATTE TIN ON SOLDER TAIL END.
- 10 OBSOLETE PARTS: OBSOLETE CIS STREAMLINING PER D.RENAUD/D.SINISI
- 11 PARTITION PACKED AND BOXED, 270PCS PER CARTON.
- 12 HOUSING MATERIAL: PA66, BLACK, UL 94 V-0 RATED
CONTACT MATERIAL: PHOSPHOR BRONZE



RECOMMENDED P.C. BOARD LAYOUT



11	OBSOLETE	.210	6	GOLD	4	1-640505-4
10	OBSOLETE	.180	7	GOLD	9	2-640505-6
		.210	6	GOLD	9	2-640505-4
		.150	3	GOLD	9	2-640505-2
8	OBSOLETE	.150	3	PRE-TIN		1-640505-0
10	OBSOLETE	.180	7	GOLD		640505-6
		.210	6	GOLD	4	640505-4
		.210	6	PRE-TIN		640505-3
		.150	3	GOLD	4	640505-2
		.150	3	PRE-TIN		640505-1
		"L" +.010 -.020		PIN FINISH		PART NUMBER

IN	MM	IN	MM	IN	MM	IN	MM
.010	0.25	.055	1.40	.210	5.33	-	-
.008	0.20	.043	1.09	.180	4.57	-	-
.005	0.13	.037	0.94	.165	4.19	1.115	28.32
.003	0.08	.030	0.76	.150	3.81	.785	19.94
.000050	0.00127	.020	0.51	.110	2.79	.530	13.46
.000030	0.00076	.015	0.38	.063	1.60	.220	5.59

CONVERSION TABLE

THIS DRAWING IS A CONTROLLED DOCUMENT.

DIMENSIONS: INCHES	TOLERANCES UNLESS OTHERWISE SPECIFIED:	DIN J. HUFFMAN 28APR98	TE Connectivity
		CHK R. SWING 28APR98	
		APVD T. REDDICK 28APR98	NAME
			PRODUCT SPEC
			APPLICATION SPEC
MATERIAL	FINISH	SIZE	CAGE CODE
12	SEE FINISH	A1	00779
		DRAWING NO	640505
		WEIGHT	
		CUSTOMER DRAWING	SCALE 4:1 SHEET 1 of 1 REV V