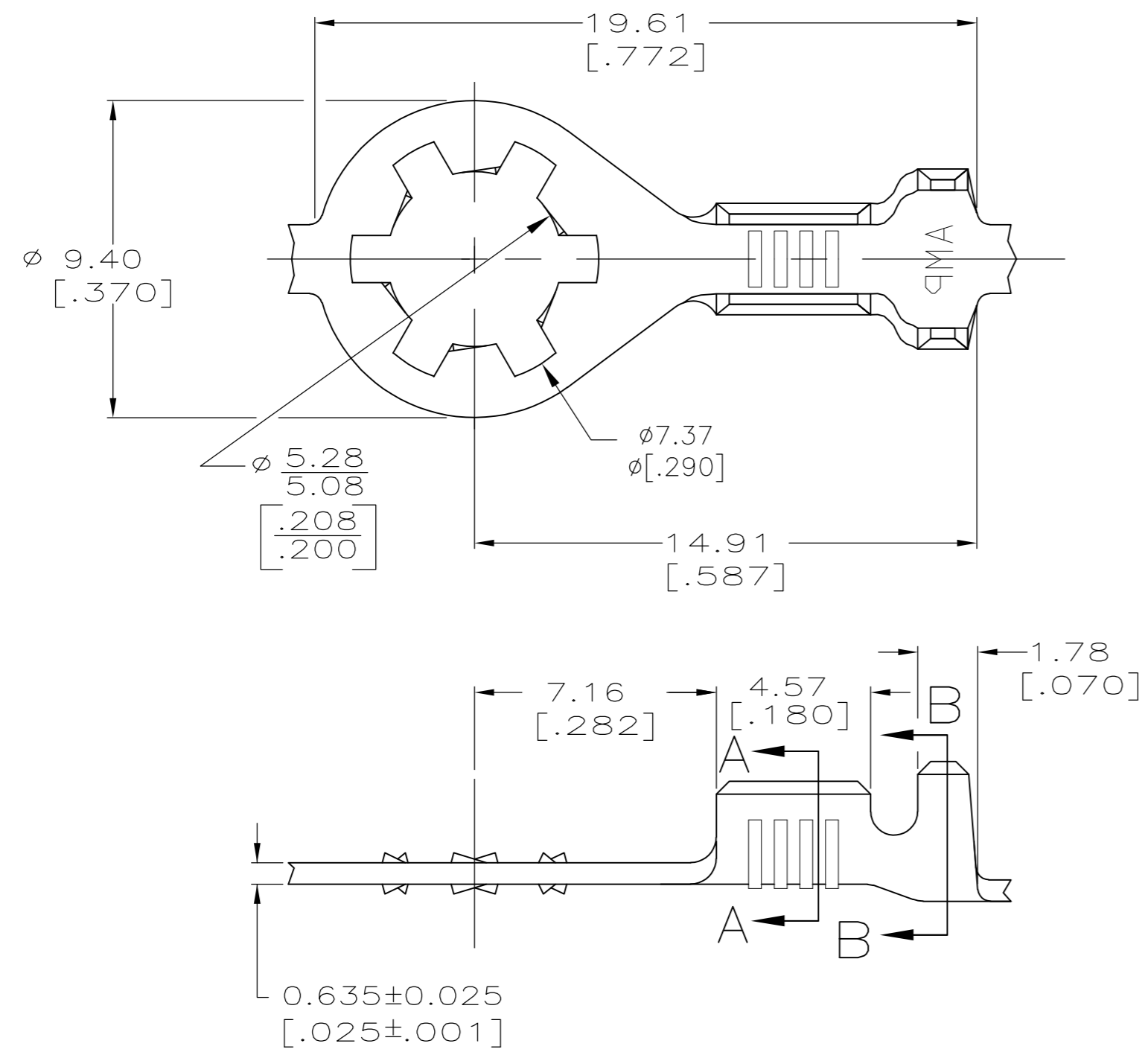
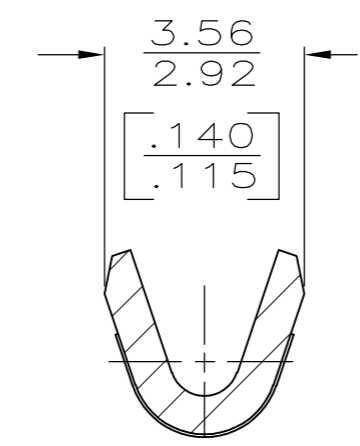


THIS DRAWING IS UNPUBLISHED. RELEASED FOR PUBLICATION  
 © COPYRIGHT BY TYCO ELECTRONICS CORPORATION. ALL RIGHTS RESERVED.

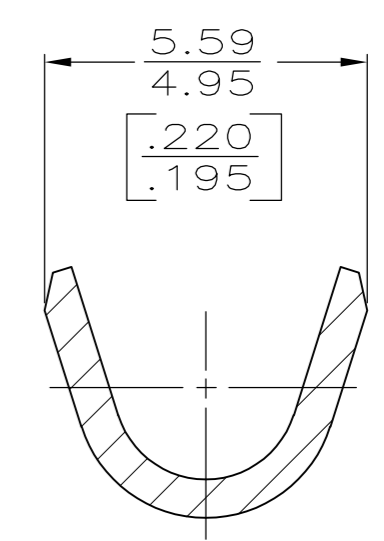
LOC	DIST	REVISIONS			
P	LTR	DESCRIPTION	DATE	DWN	APVD
AF	50	G1	REVISED PER ECR-08-007950	10APR08	HMR DD
		G2	REVISED PER ECR-14-016318	03NOV14	L.P.T.D



- 1 CONTINUOUS STRIP ON REELS.
- 2 0.02032 [0.00080] MIN BRIGHT TIN PLATE OVER 0.0127 [0.00050] MIN NICKEL UNDERPLATE.
- 3 WIRE RANGE: 0.3-0.8mm<sup>2</sup> [22-18] AWG.
- 4 INSULATION RANGE: 2.03-3.05 [0.080-.120] DIA.
- 5 0.02032 [0.00080] MIN TIN PLATE.
- 6 PREPRODUCTION - F.A.S.R. REQUIRED.
- 7 SUBSTITUTED BY P/N 640271-3



SECTION A-A  
SCALE 8:1



SECTION B-B  
SCALE 8:1

TYPE	WIDTH	STRIP LENGTH	TYPE	WIDTH	±0.051 [±0.002] HEIGHT	WIRE
F or O	4.57 [0.180]	6.35 [0.250]	F	2.54 [0.100]	1.75 [0.069]	0.8mm <sup>2</sup> [18]
					1.65 [0.065]	0.5mm <sup>2</sup> [20]
					1.60 [0.063]	0.3mm <sup>2</sup> [22]
INSUL BARREL CRIMP		±0.38 [±0.015]	WIRE BARREL CRIMP			

5	640271-3
	-
7 OBSOLETE	2 640271-1
FINISH	PART NUMBER

THIS DRAWING IS A CONTROLLED DOCUMENT.

DWN	02MAY2003	MICHAEL S. FEHER	Tyco Electronics Corporation Harrisburg, PA 17105-3608			
CHK	02MAY2003	D.F. DECKER				
APVD	02MAY2003	D.F. DECKER				
NAME	RING					
DIMENSIONS:	TOLERANCES UNLESS OTHERWISE SPECIFIED:	PRODUCT SPEC	SIZE	CAGE CODE	DRAWING NO	RESTRICTED TO
INCHES	0 PLC ± - 1 PLC ± - 2 PLC ± - 3 PLC ± 0.25 [0.010] 4 PLC ± - ANGLES ± -	APPLICATION SPEC	A2	00779	C=640271	-
MATERIAL	FINISH	WEIGHT	SCALE	SHEET	REV	
#2 HARD STEEL	SEE TABLE	-	6:1	1 of 1	G2	

CUSTOMER DRAWING