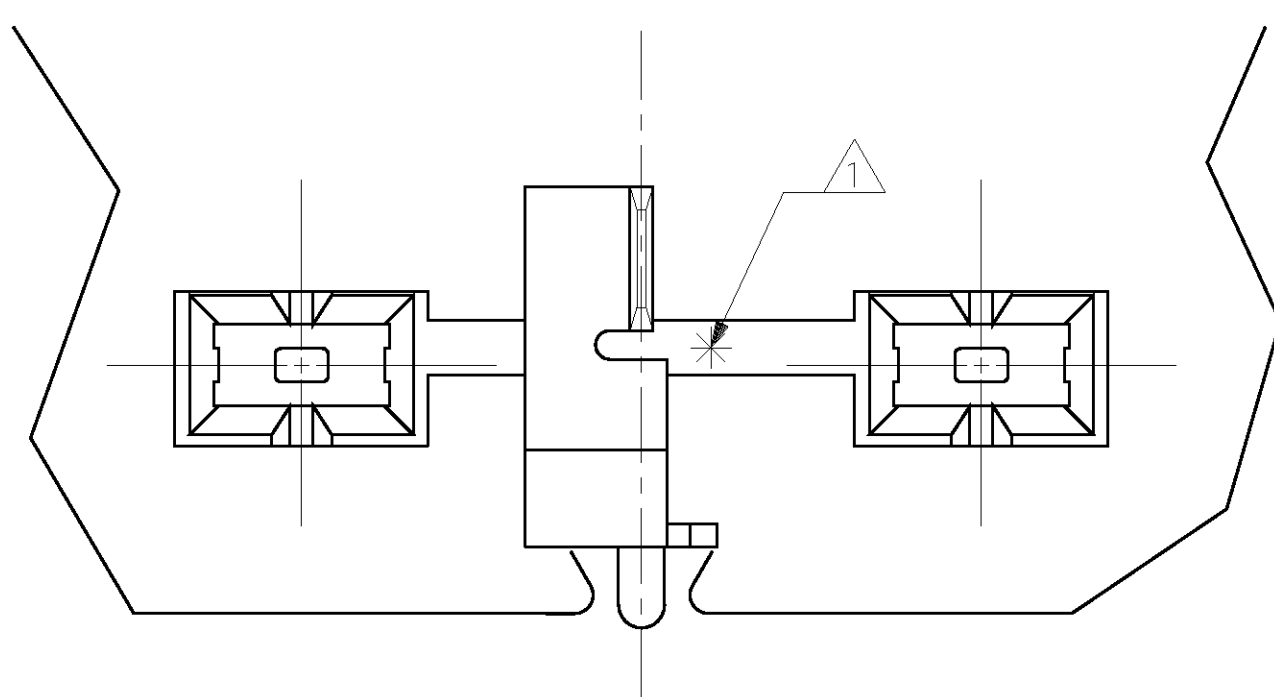
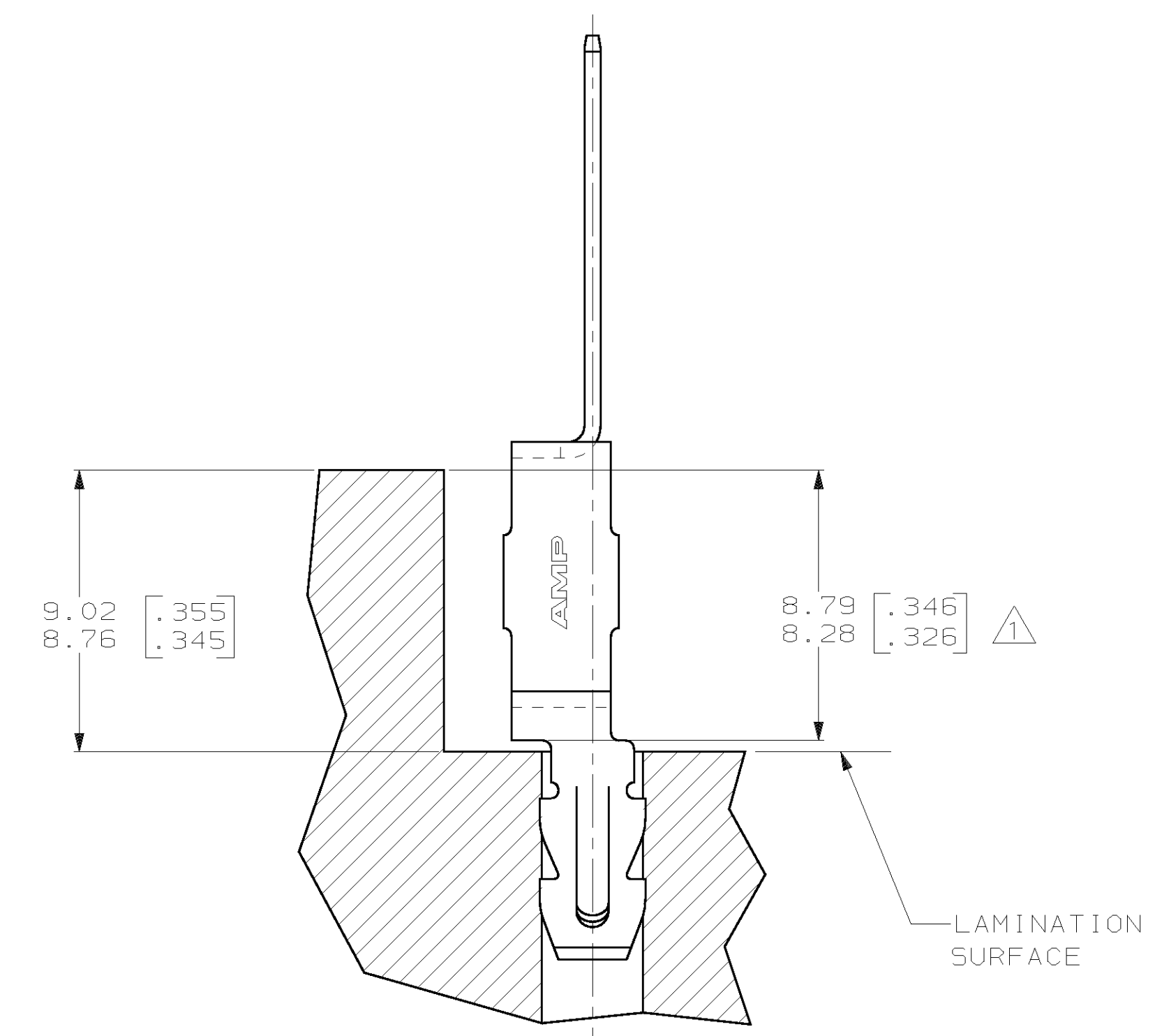
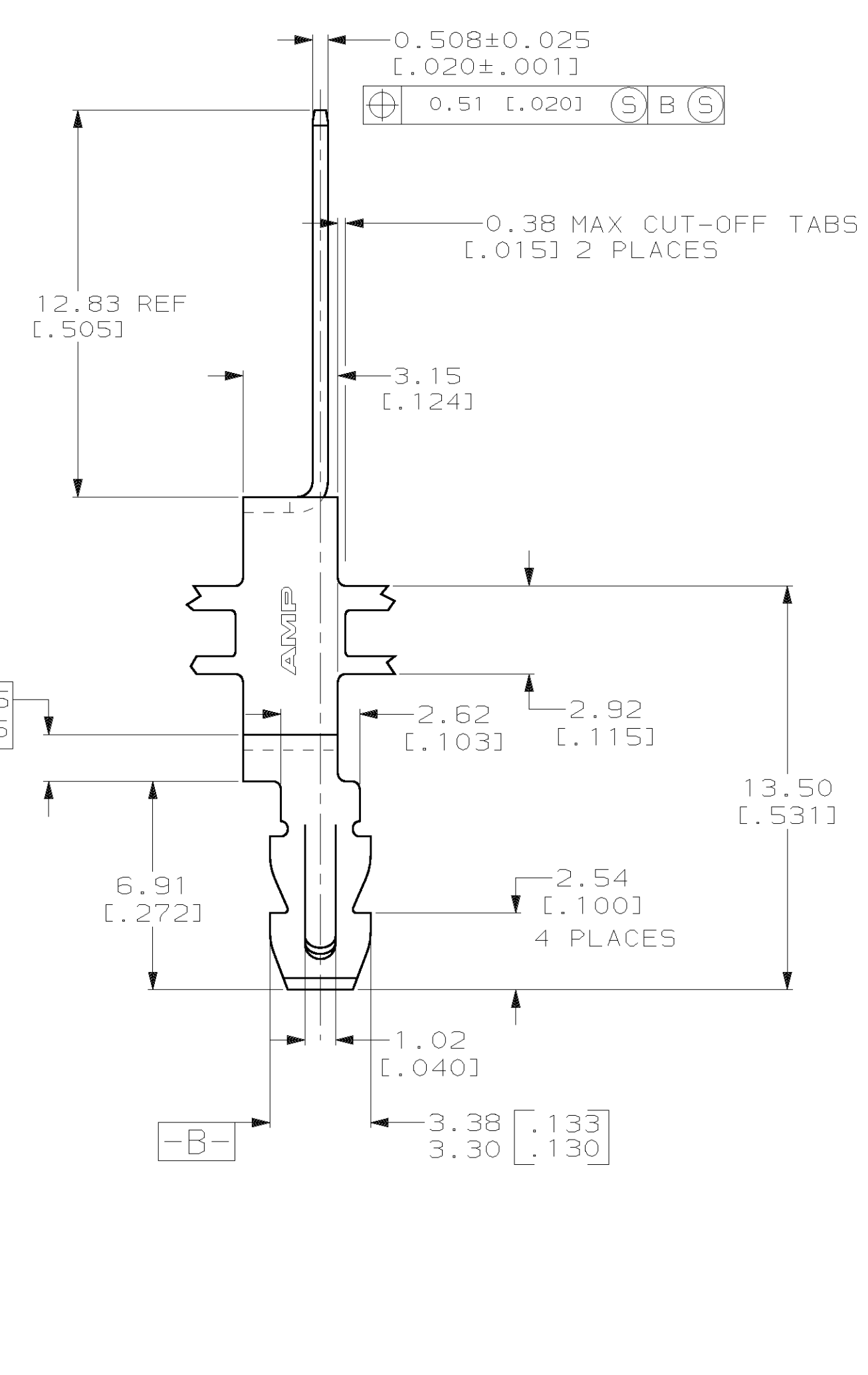
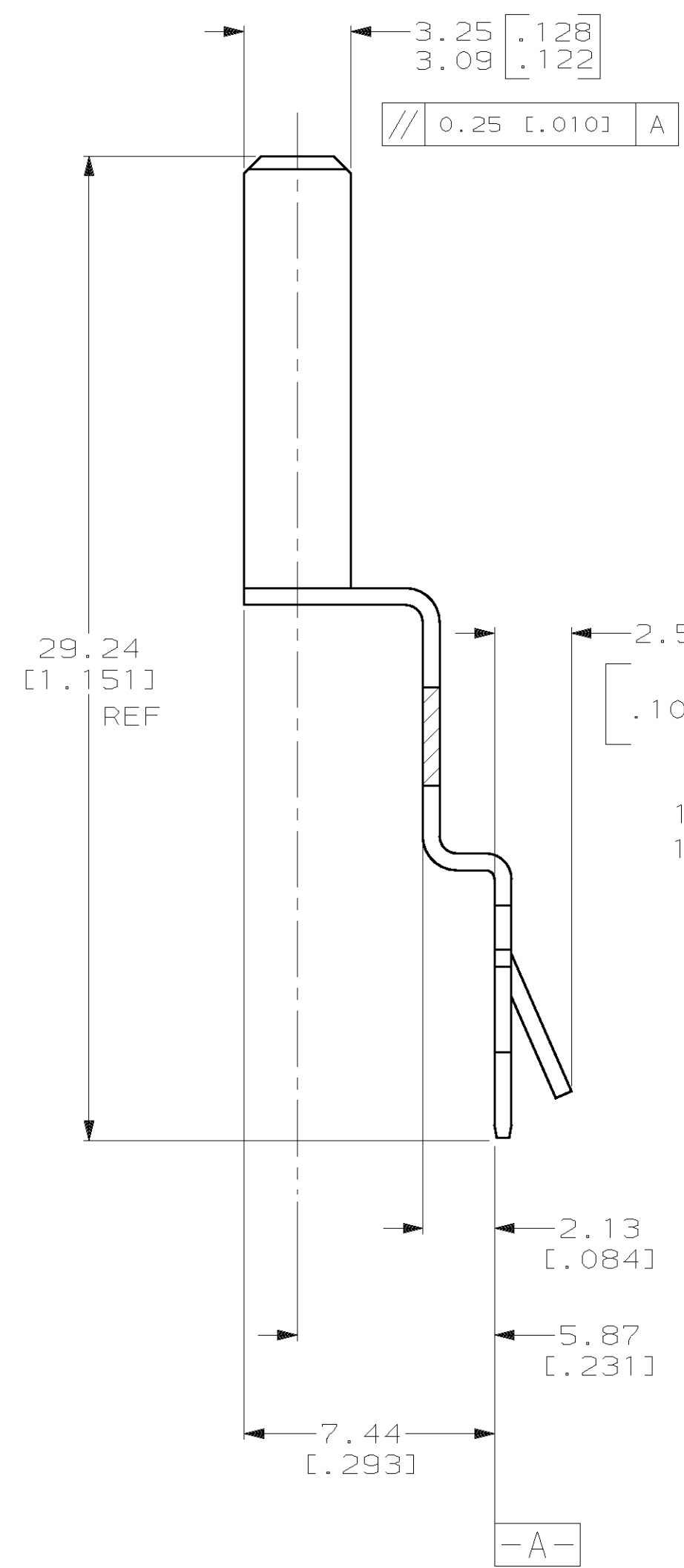
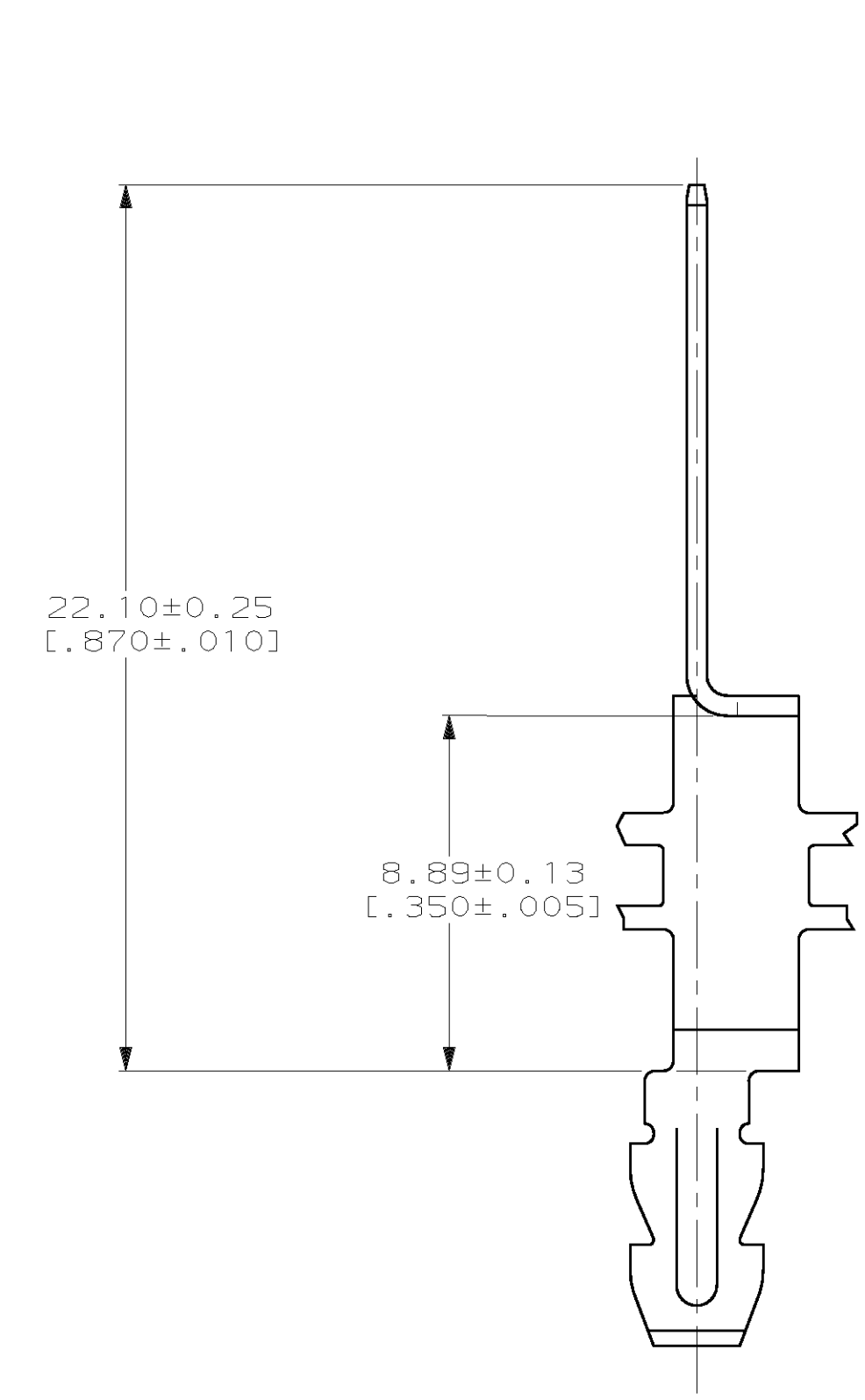
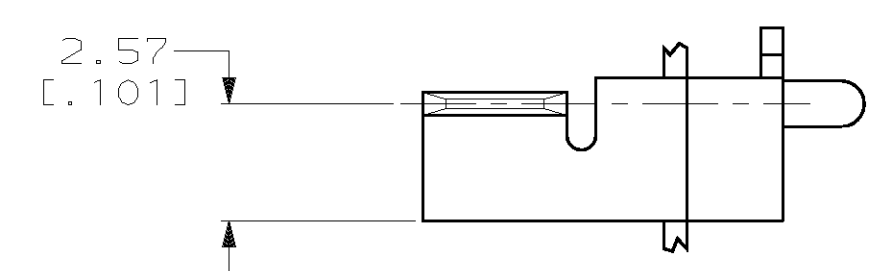


LOC		DIST		REVISIONS			
TR	REV	DATE	BY	CHK	APPV	DATE	BY
A	REV PER	0110-0224-97	27MAY97	RG	NN		



- 1 POINT OF MEASUREMENT, LOCATED APPROXIMATELY AS SHOWN.
- 2 CONTINUOUS STRIP ON REELS WITH TERMINALS LOCATED ON 16.64±0.076 [.655±.003] CENTERS



INSERTION SPECIFICATION

STRIP	63978-1
TYPE	PART NUMBER

THIS DRAWING IS A CONTROLLED DOCUMENT.		DWN	MICHAEL S. FEHNER	AMP Incorporated
DIMENSIONS mm (INCHES)		CHK	RICHARD GRZYBOWSKI	Harrisburg, PA 17105-3608
TOLERANCES UNLESS OTHERWISE SPECIFIED:		APVD	NELSON E. NEFF	NAME
0 PLC	±-	PRODUCT SPEC	TERMINAL, GROUNDING, 3.18 [.125] TAB, MAG-MATE™	
1 PLC	±-	APPLICATION SPEC	SIZE	
2 PLC	±0.25 (.010)	WEIGHT	A1 00779 C-63978	
3 PLC	±-	CUSTOMER DRAWING	SCALE	6:1
4 PLC	±-		SHEET	1 OF 1
ANGLES	±-		REV	A
MATERIAL	4H BRASS	FINISH	0.002032 [.000080]	
		MIN PRE-TIN PER MIL-T-10727		