

THIS DRAWING IS UNPUBLISHED.

RELEASED FOR PUBLICATION

ALL RIGHTS RESERVED.

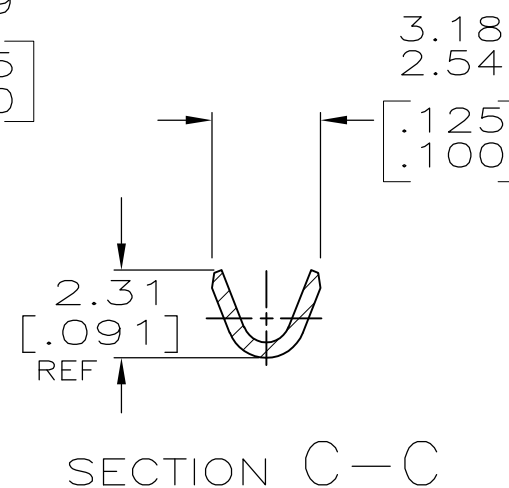
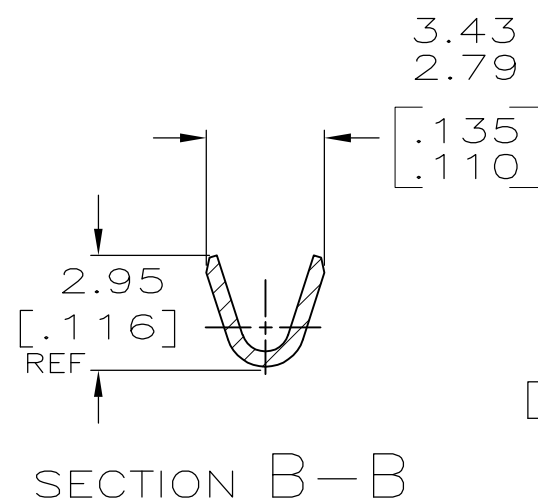
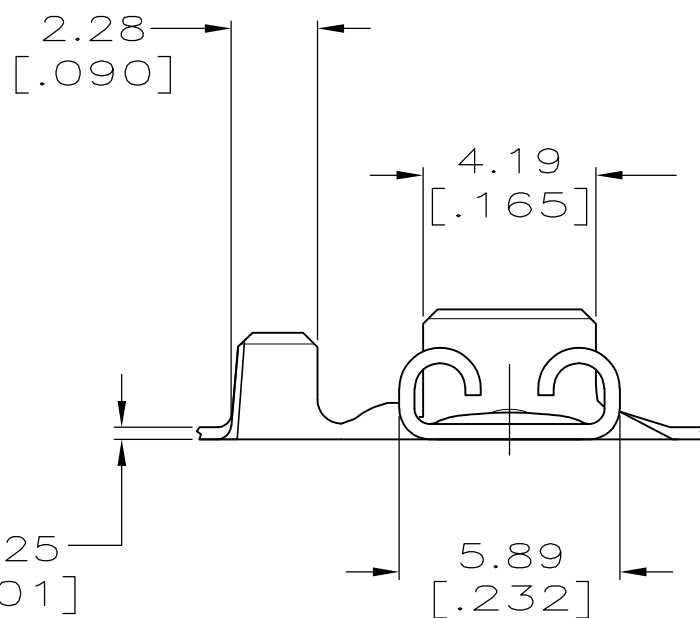
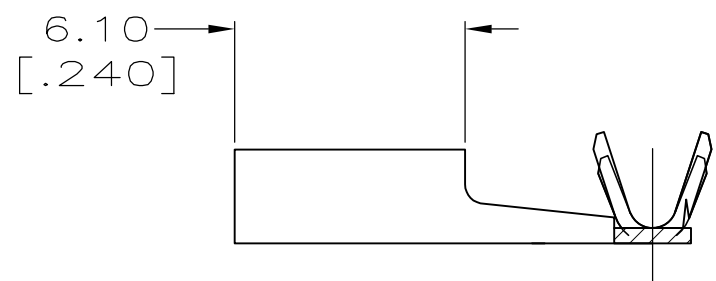
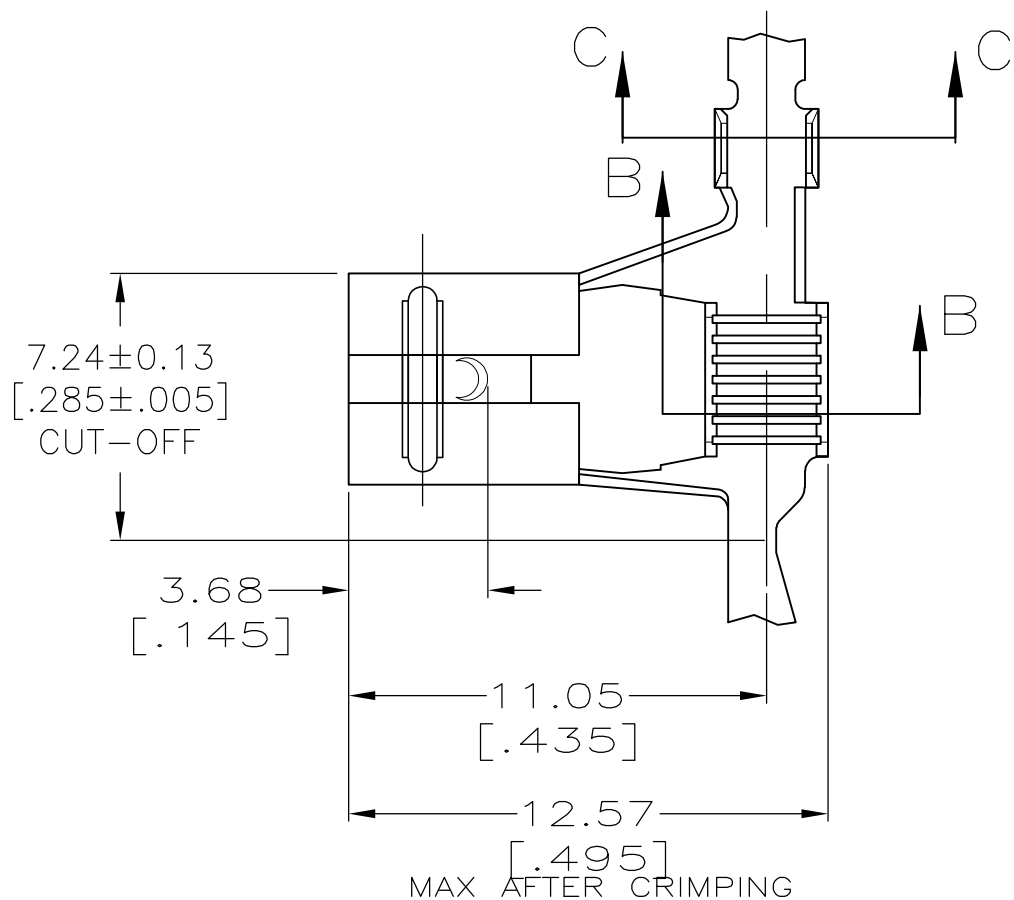
© COPYRIGHT - By -

LOC
AF

DIST
50


REVISIONS

P	LTR	DESCRIPTION	DATE	DWN	APVD
J		REVISE PER ECR-13-003819	06AUG13	GRZ	DZ



- 1 CONTINUOUS STRIP ON REELS.
- 2 ACCEPTS MAGNET WIRE RANGES 1200-2350 CMA.
- 3 MATING TAB THK TO BE 0.51±0.025 [.020±.001].

63941-1
PART NO.

THIS DRAWING IS A CONTROLLED DOCUMENT.		DWN JR RUTH 9/30/96	 TE Connectivity RECEPTACLE, FASTON, FLAG, AMPLIVAR, 4.75 [.187] SERIES		
DIMENSIONS: mm		CHK MS FEHER 9/30/96			
TOLERANCES UNLESS OTHERWISE SPECIFIED:		APVD P DESANTIS 9/30/96			
0 PLC ± - 1 PLC ± - 2 PLC ± 0.25 [.010] 3 PLC ± - 4 PLC ± - ANGLES ± -		NAME			
MATERIAL BRASS		FINISH TIN PLATE	PRODUCT SPEC -	APPLICATION SPEC -	RESTRICTED TO -
CUSTOMER DRAWING			SIZE A3	CAGE CODE 00779	DRAWING NO C-63941
			SCALE 5:1	SHEET 1 OF 1	REV J