

THIS DRAWING IS UNPUBLISHED.

RELEASED FOR PUBLICATION

ALL RIGHTS RESERVED.

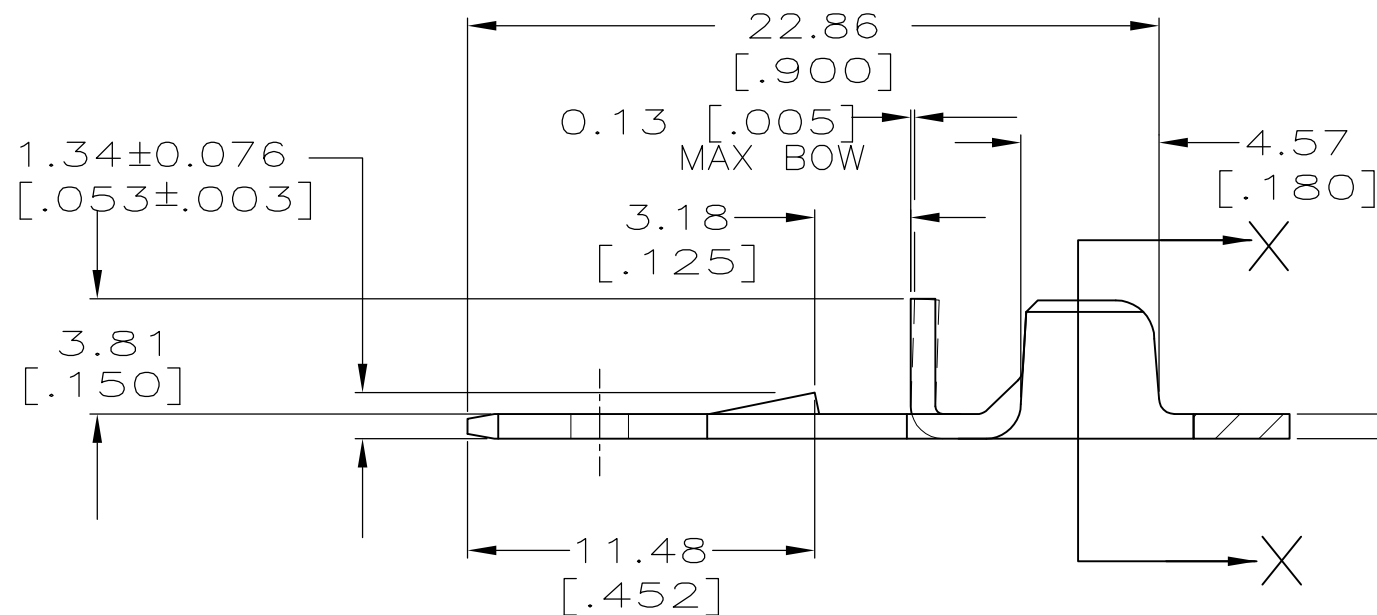
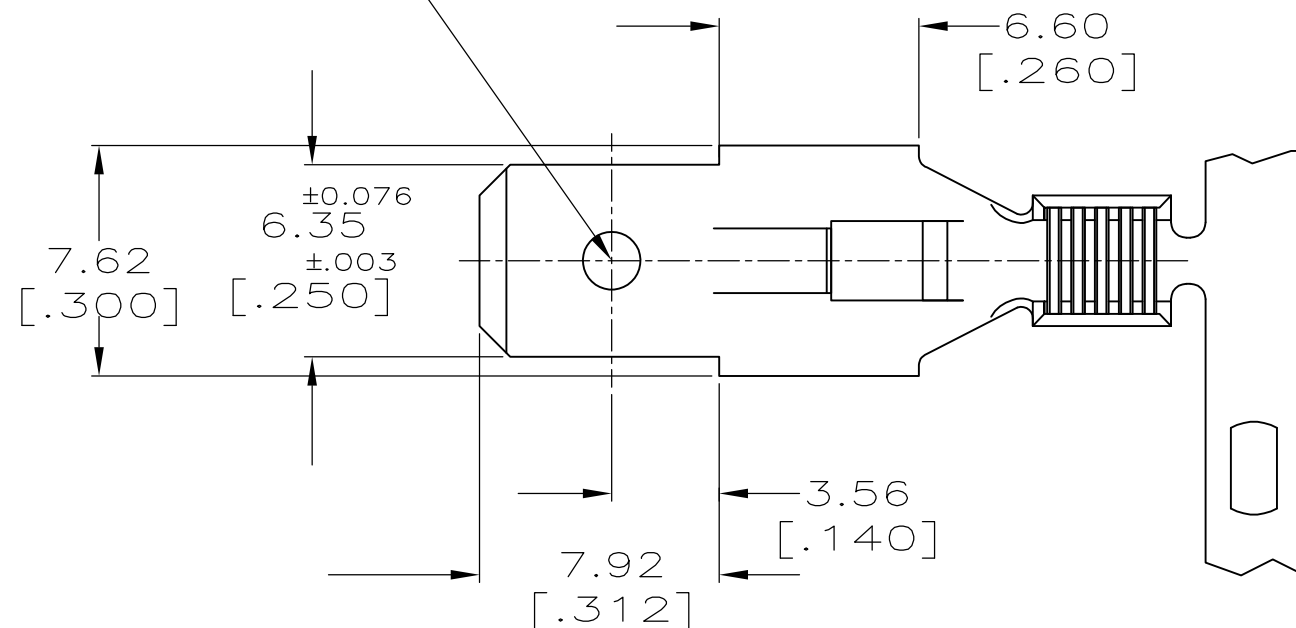
© COPYRIGHT - By -

LOC AF DIST 50

REVISIONS

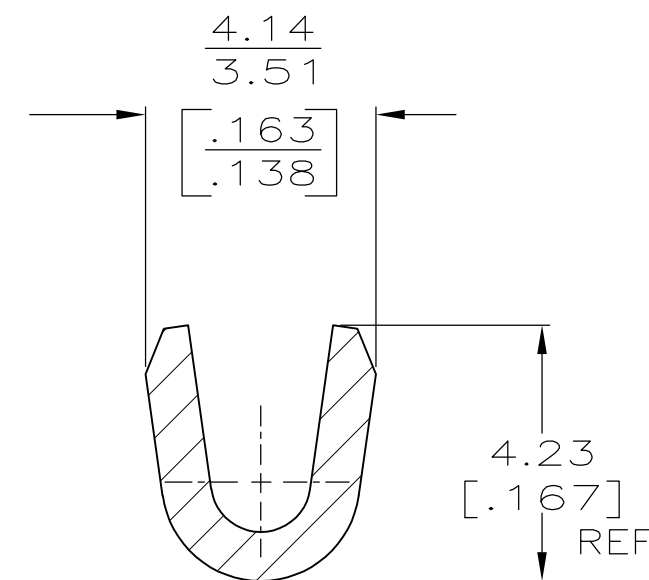
P	LTR	DESCRIPTION	DATE	DWN	APVD
	E	REVISED PER ECR-13-005733	26AUG2013	KH	PD

1.90 [.075] DIA



1 CONTINUOUS STRIP ON REELS.

2 0.002032 [.000080] MIN TIN PLATE, ALL OVER.



SECTION X-X  
SCALE 8:1

1010-4100 CMA	63858-1
WIRE SIZE	PART NO

THIS DRAWING IS A CONTROLLED DOCUMENT.		DWN JR RUTH 5/23/95	TE Connectivity		
DIMENSIONS: mm [INCHES]		CHK MS FEHER 5/23/95			
TOLERANCES UNLESS OTHERWISE SPECIFIED:		APVD J GILLESPIE 5/23/95	NAME		
0 PLC ± -		PRODUCT SPEC	TAB, FASTON, AMPLIVAR, 6.35 [.250] SERIES		
1 PLC ± -		APPLICATION SPEC	SIZE	CAGE CODE	DRAWING NO
2 PLC ± 0.25 [.010]		114-2070	A3	00779	C-63858
3 PLC ± -		WEIGHT -	RESTRICTED TO		
4 PLC ± -		CUSTOMER DRAWING	-		
ANGLES ± -		SCALE 4:1	SHEET 1 OF 1		REV E
FINISH					
MATERIAL BRASS					