

4

3

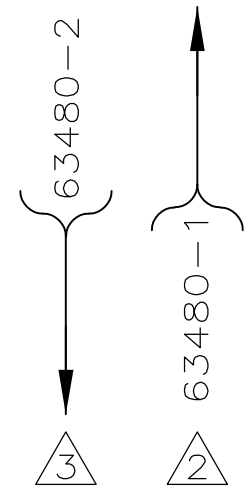
2

1

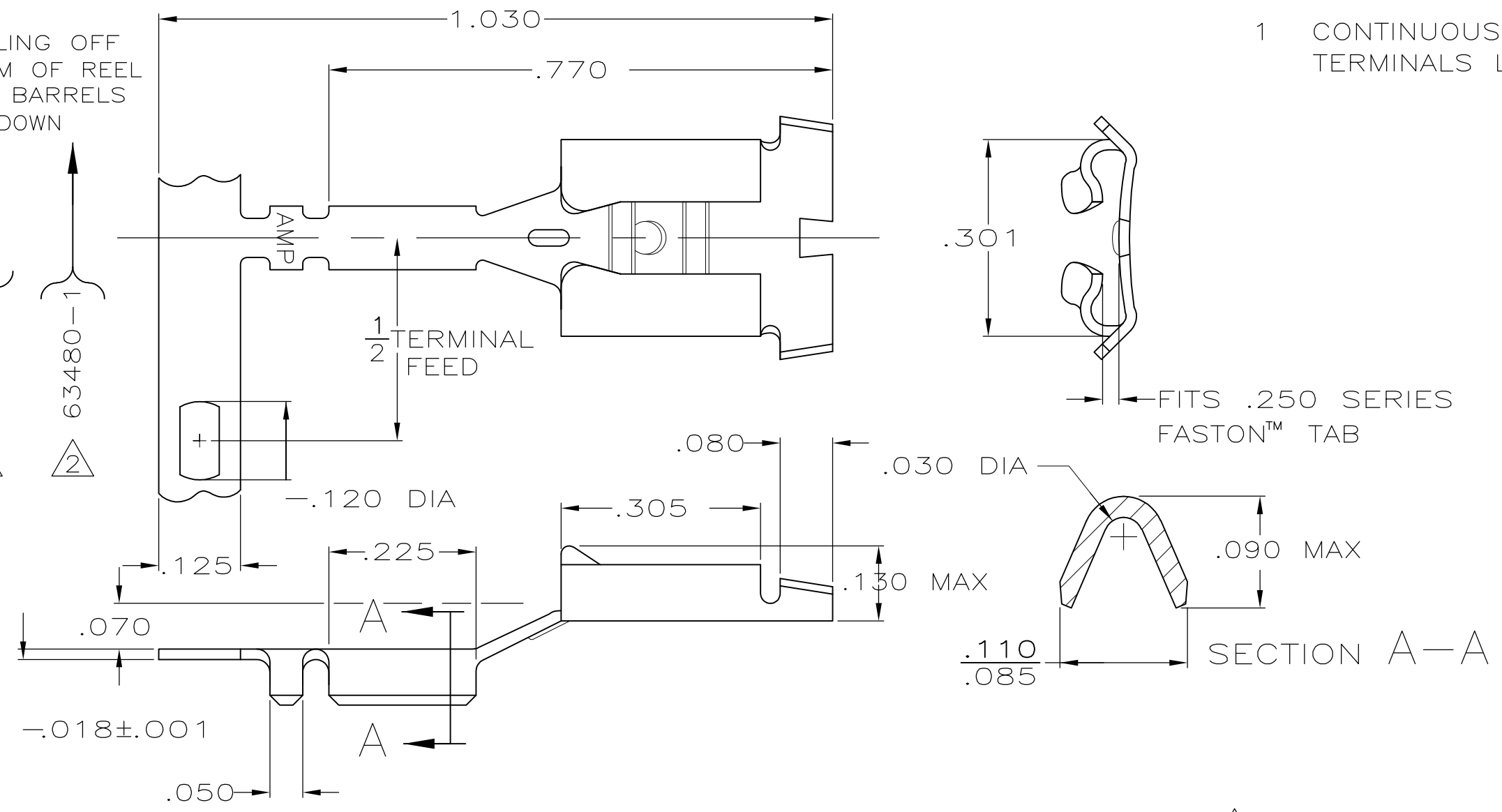
THIS DRAWING IS UNPUBLISHED. RELEASED FOR PUBLICATION
 © COPYRIGHT - By - ALL RIGHTS RESERVED.

| LOC | DIST | REVISIONS | | | | | |
|-----|------|-----------|-----|--------------------------|---------|-----|------|
| | | P | LTR | DESCRIPTION | DATE | DWN | APVD |
| AF | 50 | | E | REVISE PER ECR-13-013738 | 28AUG14 | GRZ | JL |

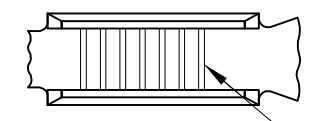
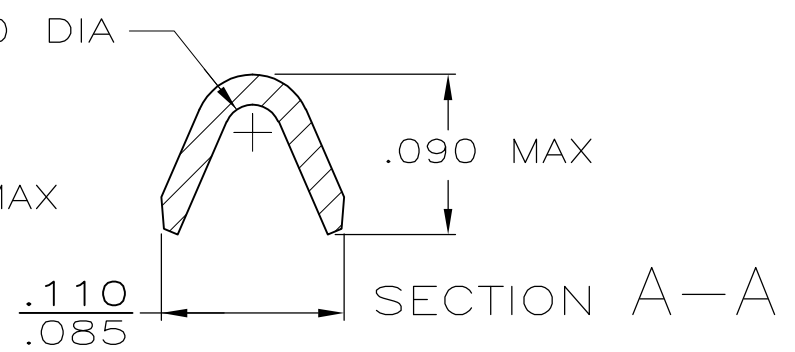
REELING OFF
 BOTTOM OF REEL
 WIRE BARRELS
 DOWN



1 CONTINUOUS STRIP ON REELS WITH
 TERMINALS LOCATED ON .620 CENTERS.



FITS .250 SERIES
 FASTON™ TAB



7 SERRATIONS

| | | | |
|---|----------------------|-------------------|---------|
| 3 | .032 | #27-#22 AWG | 63480-2 |
| 2 | MATING TAB THK ±.001 | MAGNET WIRE RANGE | 63480-1 |

| | | | | | | |
|--|---------|---------------------------------------|----------------------------|-----------|------------|---------------|
| THIS DRAWING IS A CONTROLLED DOCUMENT. | | DWN - M.S. FEHER ⁺¹ /24/87 | STE TE Connectivity | | | |
| DIMENSIONS: INCHES | | CHK - G YETTER 2/3/87 | | | | |
| TOLERANCES UNLESS OTHERWISE SPECIFIED: | | APVD - D SCHEWNK 2/3/87 | STATOR RECEPTACLE | | | |
| 0 PLC ± - | | PRODUCT SPEC C G ATHERTON 2/3/87 | AMPLIVAR™ | | | |
| 1 PLC ± - | | APPLICATION SPEC - | SIZE | CAGE CODE | DRAWING NO | RESTRICTED TO |
| 2 PLC ± - | | WEIGHT - | A3 | 00779 | C-63480 | - |
| 3 PLC ± .010 | | CUSTOMER DRAWING | | | | |
| 4 PLC ± - | | SCALE | SHEET | REV | | |
| ANGLES ± - | | 5:1 | 1 OF 1 | E | | |
| MATERIAL | FINISH | | | | | |
| BRASS | PRE-TIN | | | | | |