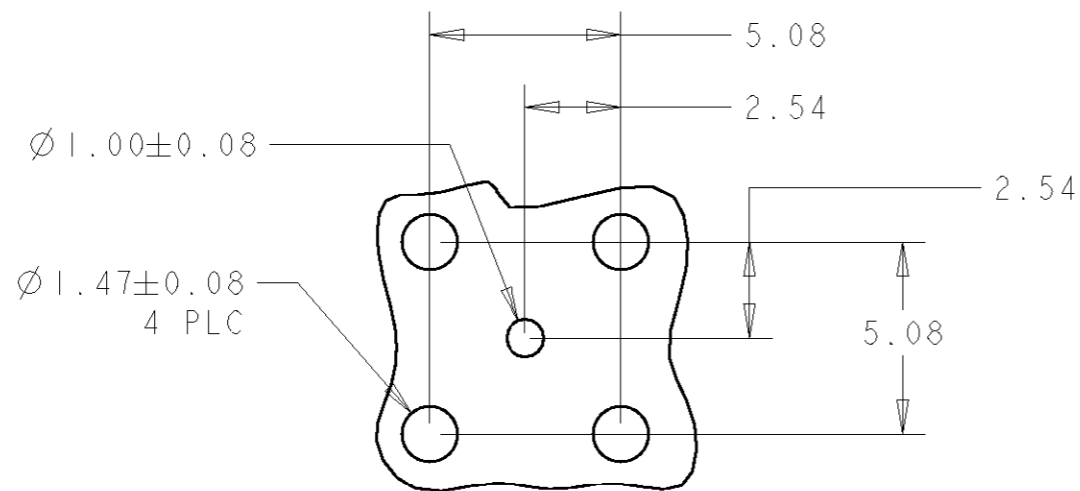


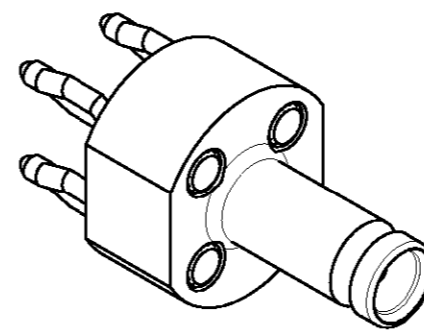
THIS DRAWING IS UNPUBLISHED. RELEASED FOR PUBLICATION  
 © COPYRIGHT 19 BY TYCO ELECTRONICS CORPORATION. ALL RIGHTS RESERVED.

LOC AJ DIST 16

REVISIONS					
P	LTR	DESCRIPTION	DATE	DWN	APVD
0		RELEASED PER EC 0S14-0496-04.	14FEB2005	JGH	JGH
-	-		-	-	-
-	-		-	-	-
-	-		-	-	-

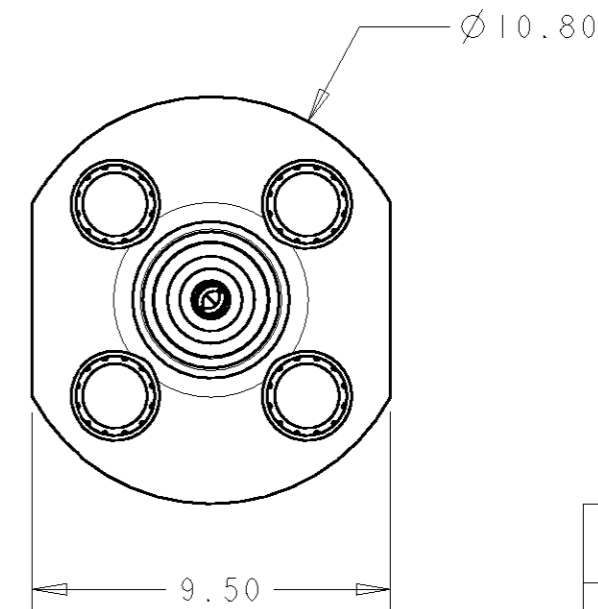
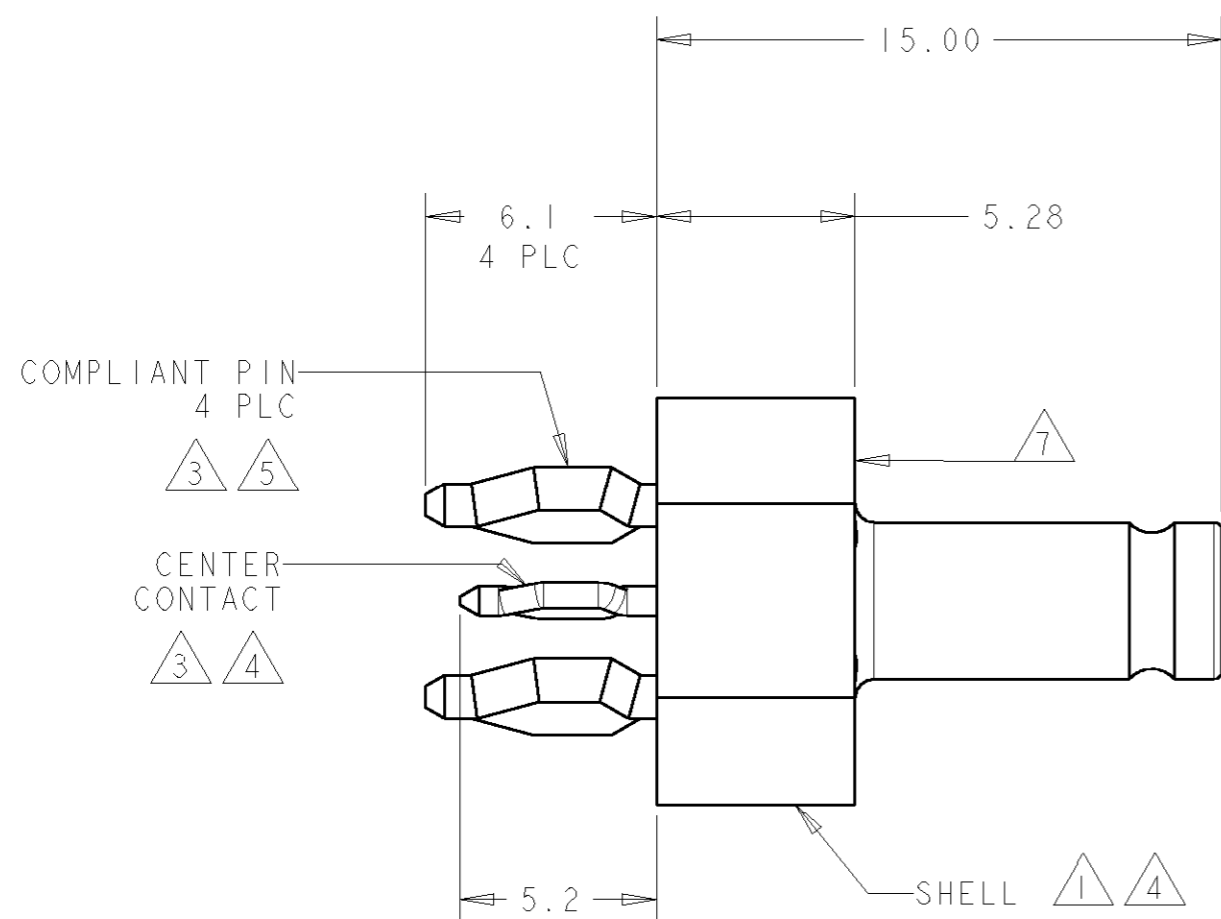


RECOMMENDED PCB LAYOUT



ISOMETRIC VIEW  
SCALE 3:1

- 1 BRASS PER ASTM B 16.
- 2 PTFE PER ASTM D 1710.
- 3 PHOSPHOR BRONZE PER ASTM B 139.
- 4 GOLD PLATE PER MIL-G-45204.
- 5 TIN PLATE PER ASTM B 545.
- 6 INTERFACE CONFORMS TO CECC 22 230 AND IEC 169-29.
- 7 APPLY FORCE ONTO THIS SURFACE TO ASSEMBLE INTO PC BOARD.
- 8. THIS PRODUCT HAS NOT COMPLETED VALIDATION TESTING.



6274431-1  
PART NUMBER

<small>THIS DRAWING IS A CONTROLLED DOCUMENT FOR TYCO ELECTRONICS CORPORATION IT IS SUBJECT TO CHANGE AND THE CONTROLLING ENGINEERING ORGANIZATION SHOULD BE CONTACTED FOR THE LATEST REVISION.</small>		DWN J. HAVENER 4FEB2005 CHK J. HAVENER 4FEB2005 APVD J. HAVENER 4FEB2005		<b>AMP</b> AMP Incorporated Harrisburg, PA 17105-3608	
DIMENSIONS: mm		TOLERANCES UNLESS OTHERWISE SPECIFIED: 0 PLC ± 1 PLC ±0.2 2 PLC ±0.05 3 PLC ± 4 PLC ± ANGLES ±		NAME JACK, VERTICAL, PCB, ACTION PIN, SERIES 1.0/2.3	
MATERIAL 1 2 3		FINISH 4 5		PRODUCT SPEC 6 APPLICATION SPEC WEIGHT -	
CUSTOMER DRAWING				SIZE A3 CAGE CODE 00779 DRAWING NO C-6274431 RESTRICTED TO -	
SCALE 5:1				SHEET 1 OF 1 REV 0	