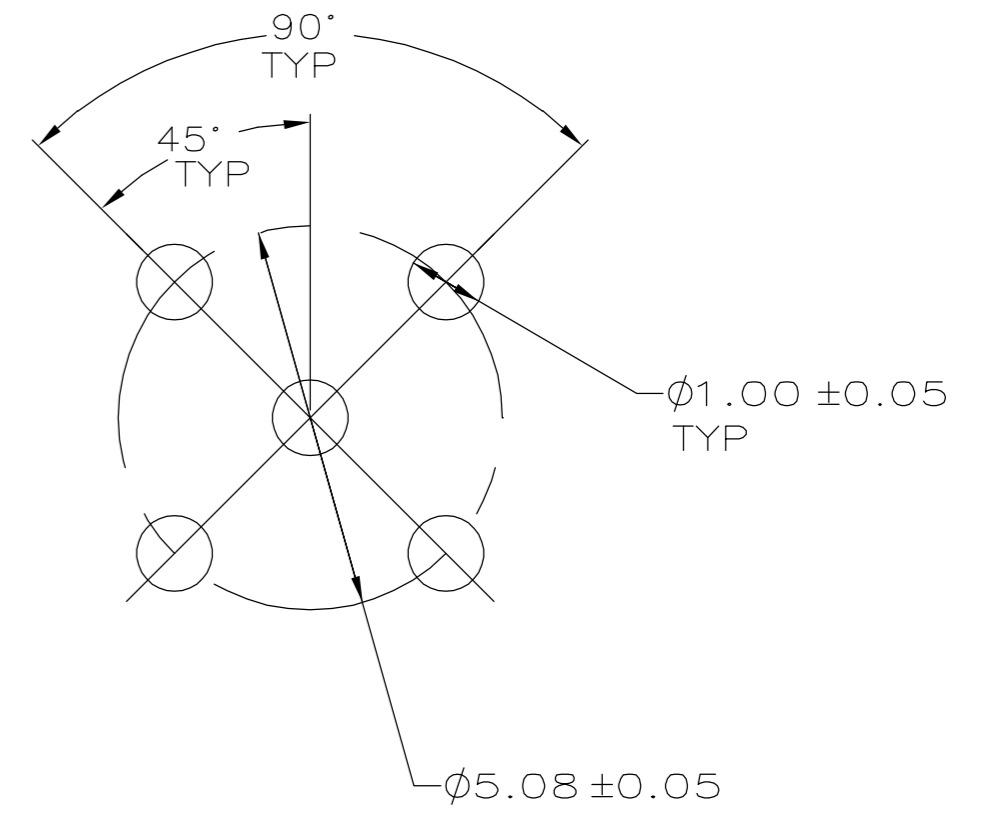
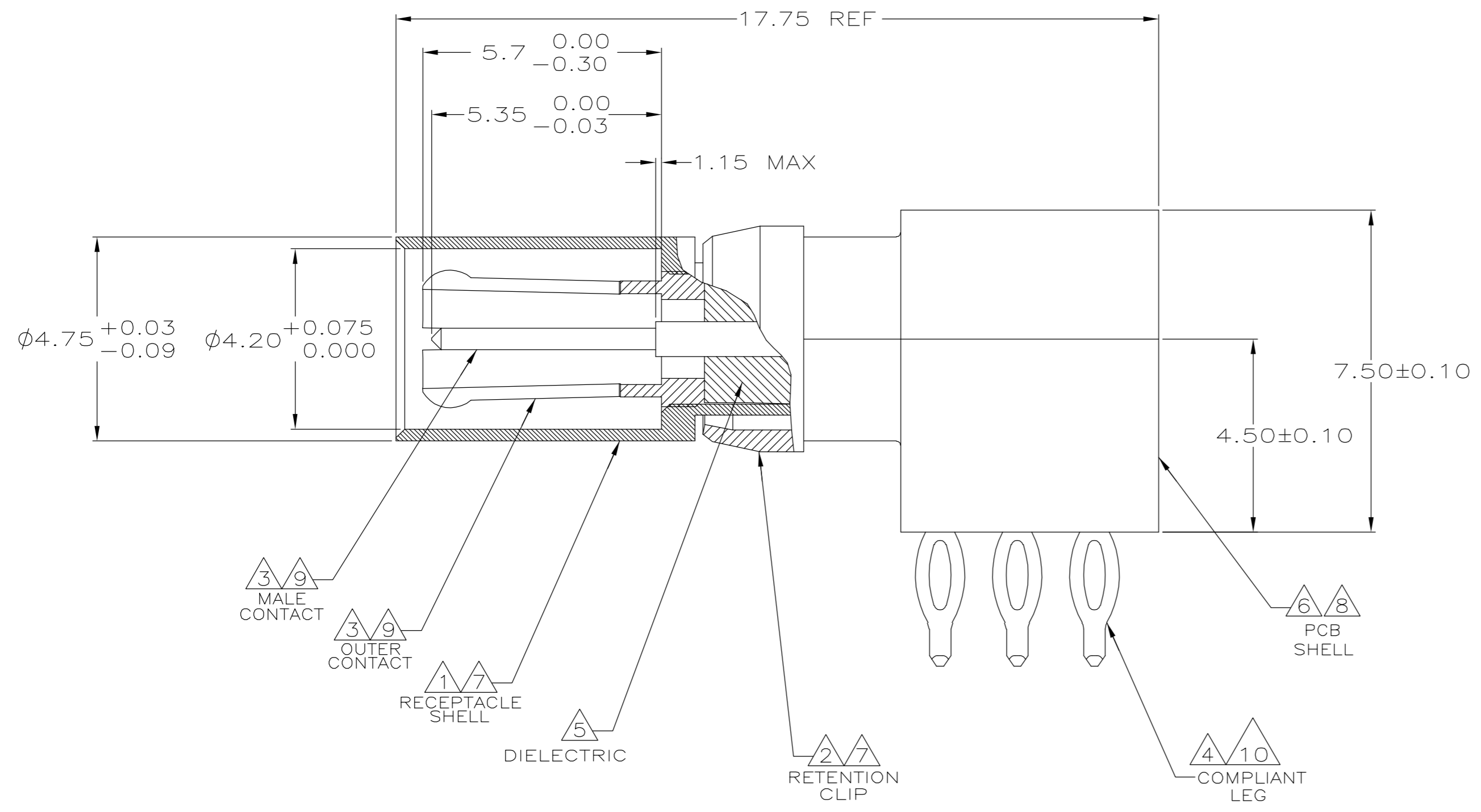
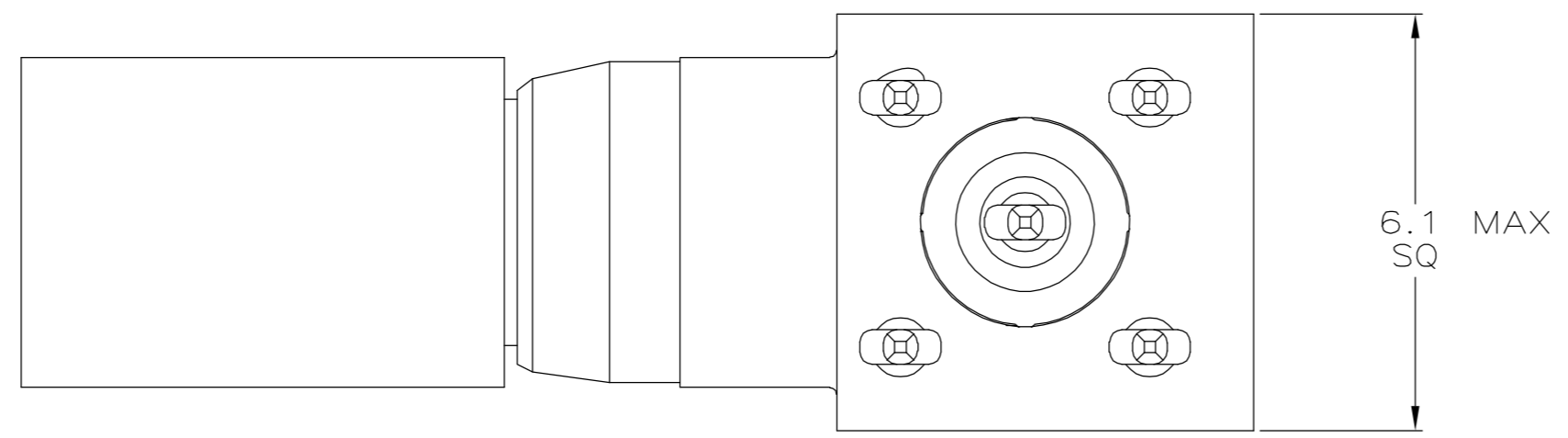


THIS DRAWING IS UNPUBLISHED. RELEASED FOR PUBLICATION  
 © COPYRIGHT BY TYCO ELECTRONICS CORPORATION. ALL RIGHTS RESERVED.

Loc	DIST	REVISIONS					
		P	LTR	DESCRIPTION	DATE	DWN	APVD
AJ	16	0		REV PER EC-0S14-0496-04	02FEB2005	LV	KW



RECOMMENDED PC BOARD LAYOUT



- 1 BRASS PER ASTM-B-16
- 2 BERYLLIUM COPPER PER ASTM-B-194
- 3 BERYLLIUM COPPER PER ASTM-B-196
- 4 PHOS BRONZE PER ASTM-B-103
- 5 POLYMETHYLPENTENE, GENERAL PURPOSE
- 6 ZINC PER QQ-Z-363
- 7 NICKEL PLATE PER QQ-N-290
- 8 NICKEL PLATE PER QQ-N-290
- 9 GOLD PLATE PER ASTM-B488
- 10 TIN PLATE PER ASTM-B-545

6274097-1  
PART NUMBER

THIS DRAWING IS A CONTROLLED DOCUMENT.		DWN L. VARELA - DOCK5 02FEB2005	Tyco Electronics Corporation Harrisburg, PA 17105-3608	
DIMENSIONS: mm		CHK J. HAVENER 02FEB2005		
TOLERANCES UNLESS OTHERWISE SPECIFIED:		APVD K. WEIDNER 02FEB2005	NAME PCB PIN, RTANG, COMPLIANT	
0 PLC ± -	1 PLC ± -	PRODUCT SPEC	-	
2 PLC ± -	3 PLC ± -	APPLICATION SPEC	-	
4 PLC ± -	ANGLES ± -	WEIGHT -	SIZE A2	CAGE CODE 00779
MATERIAL -	FINISH -	CUSTOMER DRAWING	DRAWING NO C=6274097	RESTRICTED TO -
			SCALE 10:1	SHEET 1 OF 1
			REV 0	