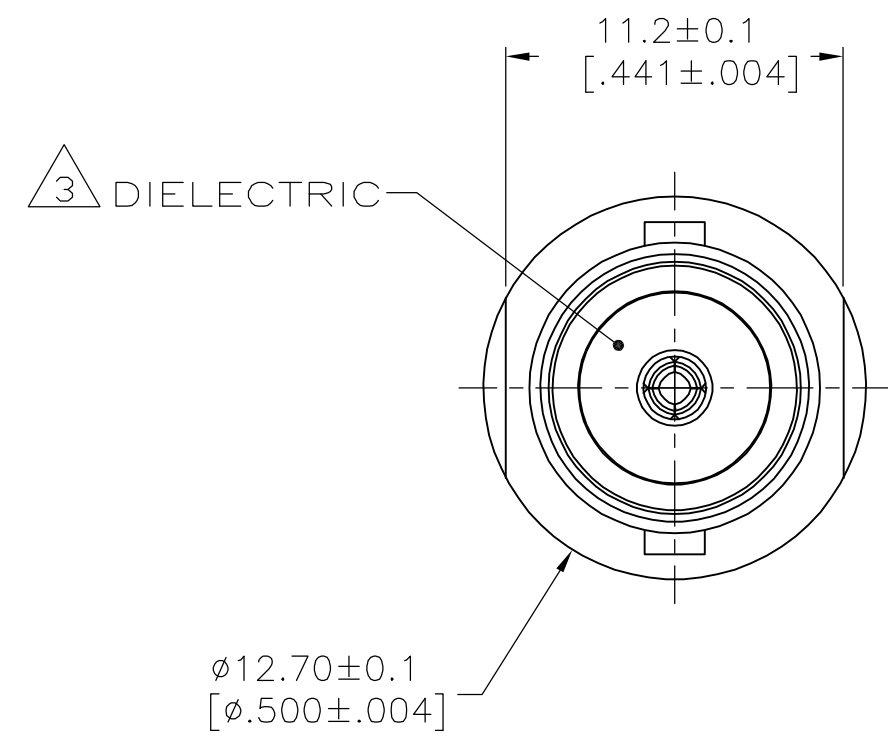
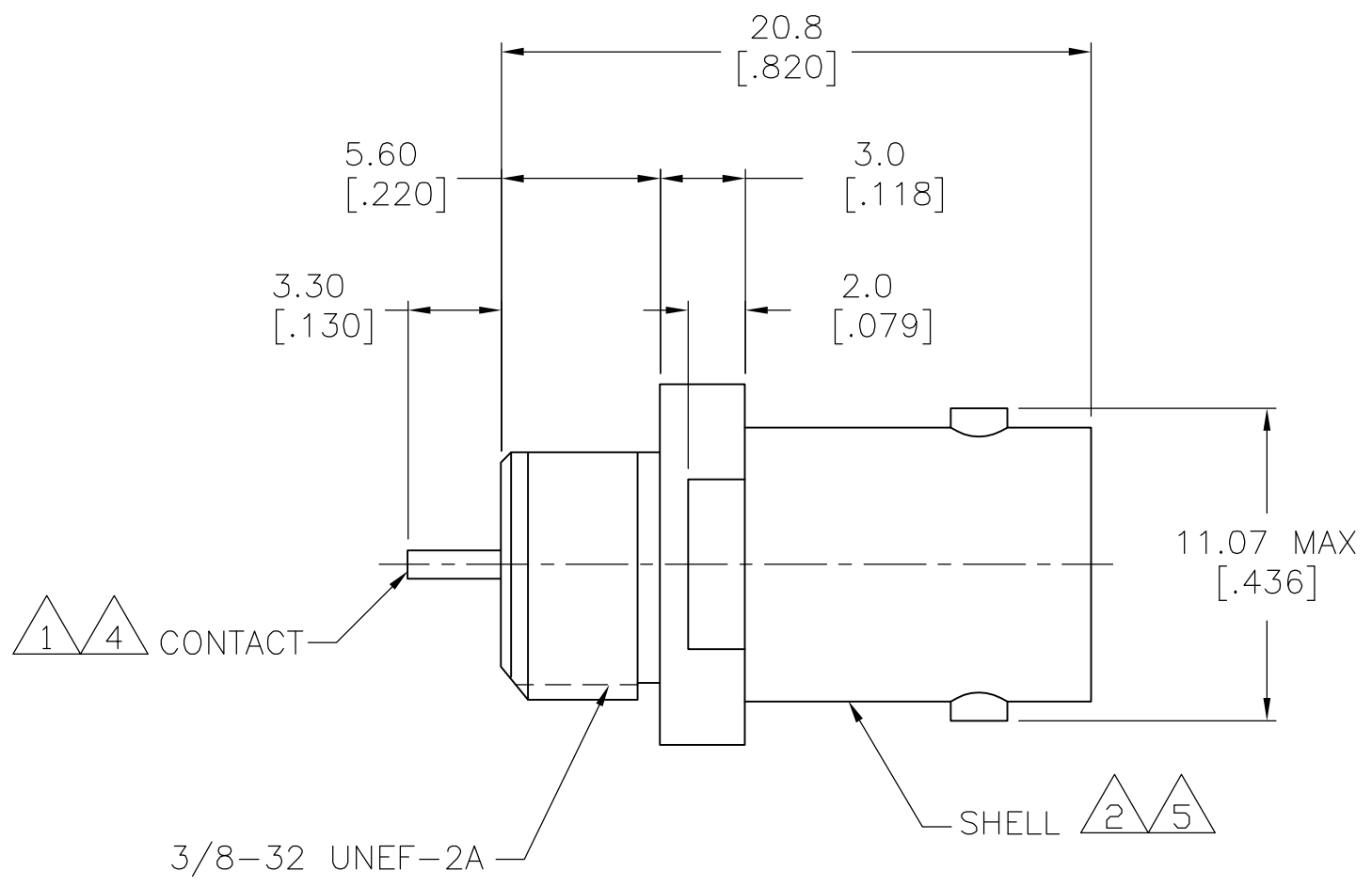


THIS DRAWING IS UNPUBLISHED. RELEASED FOR PUBLICATION  
 © COPYRIGHT BY TYCO ELECTRONICS CORPORATION. ALL RIGHTS RESERVED.

LOC	DIST	REVISIONS			
P	LTR	DESCRIPTION	DATE	DWN	APVD
AJ	16				
	0	RELEASED PER EC OS14-0189-05	24OCT05	BM	JGH



- 1 BERYLLIUM COPPER PER ASTM-B-196.
- 2 ZINC PER QQ-Z-363.
- 3 PTFE PER MIL-P-19468.
- 4 GOLD PLATE PER MIL-G-45204, 0.76µm [.000030] MINIMUM THICK.
- 5 NICKEL PLATE PER QQ-N-290 3.81µm [.000150] MINIMUM THICK.

6274086-1  
 PART NUMBER

THIS DRAWING IS A CONTROLLED DOCUMENT.		DWN B. MCMASTER 24OCT05	Tyco Electronics Corporation Harrisburg, PA 17105-3608	
DIMENSIONS: mm [INCHES]		CHK J. HAVENER 24OCT05		
TOLERANCES UNLESS OTHERWISE SPECIFIED:		APVD J. HAVENER 24OCT05	NAME JACK, BULKHEAD, PCB, 75ohm SERIES BNC	
0 PLC ± - 1 PLC ± - 2 PLC ± - 3 PLC ± 0.20 [.008] 4 PLC ± - ANGLES ± -		PRODUCT SPEC -	RESTRICTED TO -	
MATERIAL		APPLICATION SPEC -	SIZE A3	CAGE CODE 00779
FINISH		WEIGHT -	DRAWING NO G-6274086	REV 0
		CUSTOMER DRAWING		SCALE 4:1
		SHEET 1 of 1		