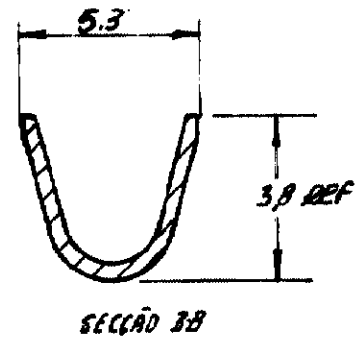
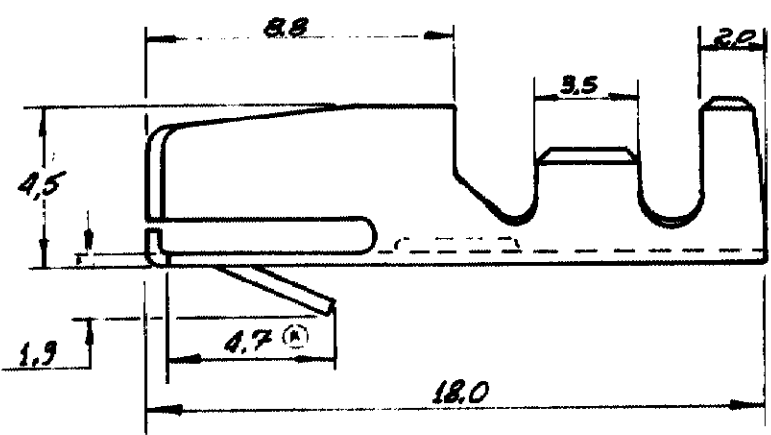
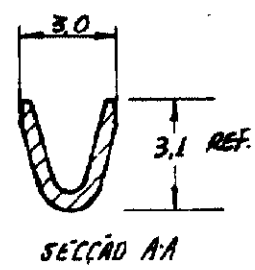
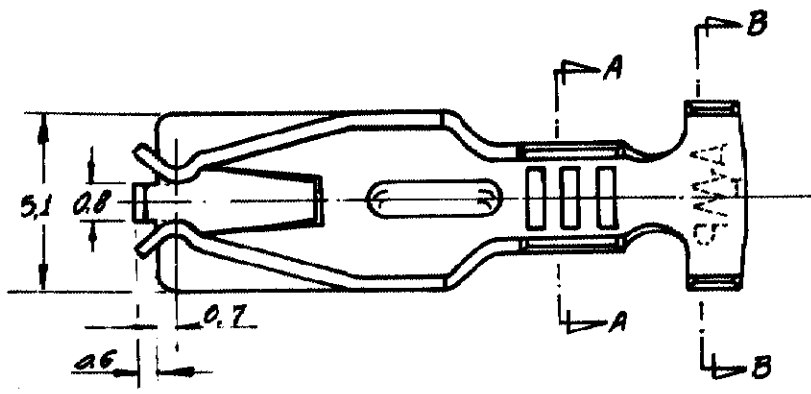


DRAWING MADE IN THIRD ANGLE PROJECTION

LOC	DIST
-----	------

© Copyright 1979 by AMP DO BRASIL - S. P. All International Rights Reserved. AMP Incorporated products covered by U. S. and Foreign patents and/or patents pending.

REVISIONS				DATE	APPROVED	P.F.
LIT	DESCRIPTION					
0	ERA P78-29092			27/11/79	JoPupo	
A	COTA RELOCADA	ECN3321	Briz	27.08.82		



— — — — — LAYTO SIMILAR AO SAE 70A 626 462-1

ACABAMENTO	MATERIAL	PART NO
------------	----------	---------

UNLESS OTHERWISE SPECIFIED DIMENSIONS ARE IN mm TOLERANCES ON DECIMALS ANGLES

CONTRACT NO	DR	CHK
	C.C. LIMA 05/11/79	JoPupo 27/11/79
APPRO	APPRO	

TOLERANCE	± 0.3
-----------	-------

AMP 4 AMP DO BRASIL
S. Paulo - Brasil

MATERIAL
VER TABELA

WIRE RANGE	20 - 16 AWG
INSULATION RANGE	2.0 A 2.8 DIA.

NAMI
WEDGE BASE LAMP CONTACT

FINISH
VER TABELA

SCALE	5:1
-------	-----

SIZE	LOC AP.	DRAWING NO
A		626 462
SHEET	1 OF 1	REV. 0