

4

3

2

1

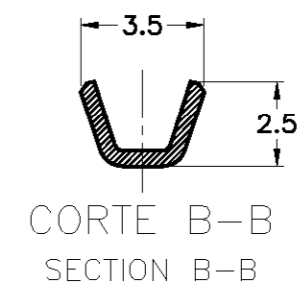
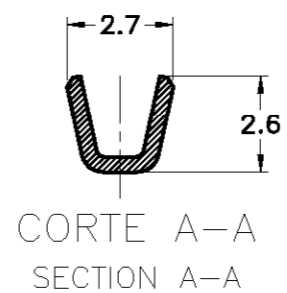
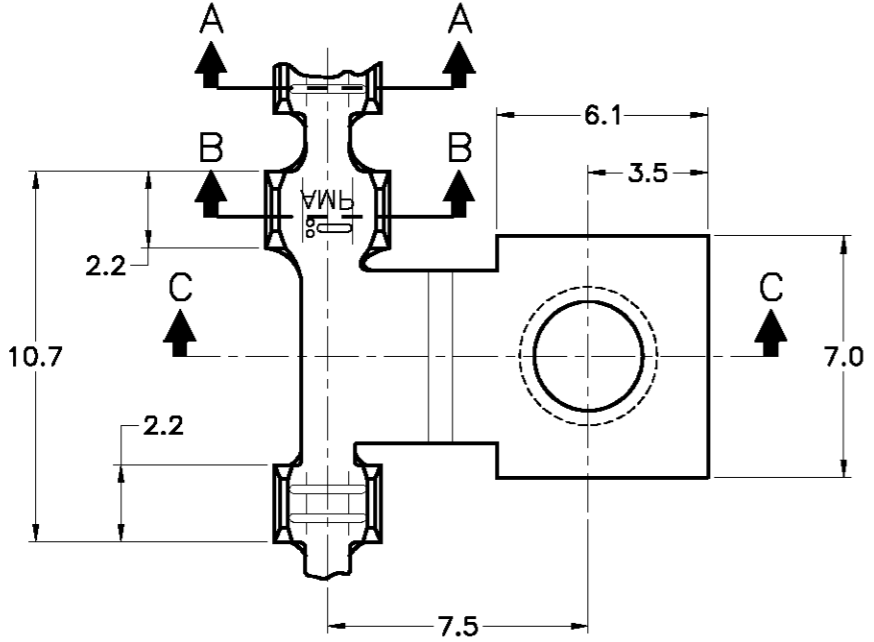
THIS DRAWING IS UNPUBLISHED. RELEASED FOR PUBLICATION .19

© COPYRIGHT 19 BY AMP INCORPORATED. ALL RIGHTS RESERVED.

DO NOT SCALE

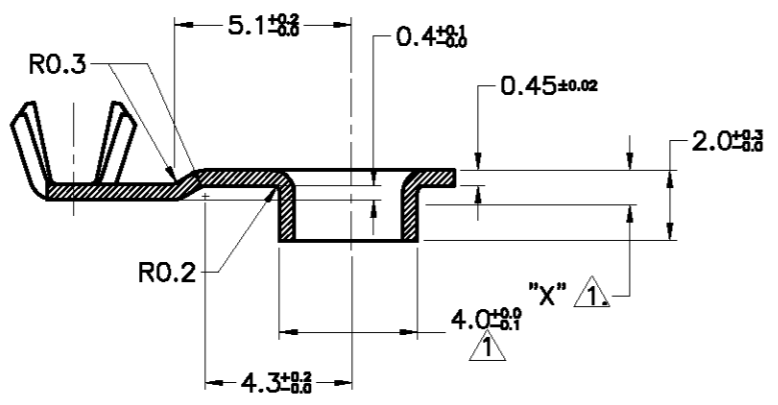


LOC	DIST	REVISIONS			
P	LTR	DESCRIPTION	DATE	DWN	APVD
AP	-	E1 REDRAWN BY ECLB0373/01	01OCT2001	HL	PLF
		E2 REVISED PER ECO-09-026444	25DEC09	KK	AEG



1 - A DIMENSÃO 4.0±0.1 DEVE SER TOMADA A 0.97("X") DA FACE SUPERIOR DA LINGUETA, CONFORME MOSTRADO.  
 -THE DIMENSION 4.0±0.1 MUST BE MEASURED AT A 0.97("X") DISTANCE FROM THE SUPERIOR FLAG SURFACE, AS SHOWN.

2 OBSOLETE PARTS



FINISH	MATERIAL	PART REV	PART NUMBER
ESTANHADO/TIN PLATED	AÇO / STEEL	E	626317-5
NIQUELADO/NICKEL PLATED	AÇO / STEEL	E	626317-4
--/--	AÇO / STEEL	E	626317-3
ESTANHADO/TIN PLATED	LATÃO / BRASS	E	2 626317-2
--/--	LATÃO / BRASS	E	626317-1

THIS DRAWING IS A CONTROLLED DOCUMENT.

DIMENSIONS:	TOLERANCES UNLESS OTHERWISE SPECIFIED:
MM	
	0 PLC ± -
	1 PLC ± 0.3
	2 PLC ± -
	3 PLC ± -
	4 PLC ± -
	ANGLES ± 1°

INSUL. DIA. RANGE	1.2-2.0mm
WIRE RANGE	0.35-0.75mm <sup>2</sup>

MATERIAL	SEE TABLE VER TABELA
FINISH	SEE TABLE VER TABELA

DWN	H.LIVERARO	01OCT2001
CHK	P.L.FARIA	01OCT2001
APVD	R.MOREIRA	01OCT2001
PRODUCT SPEC	108-16001	
APPLICATION SPEC	114-18022	
WEIGHT	-	
CUSTOMER DRAWING		

<p><b>AMP</b> AMP do Brasil Ltda. São Paulo, Brasil</p>			
<p>EXTRUDED FLAG SQUARE TONGUE LEFT</p>			
SIZE	CAGE CODE	DRAWING NO	RESTRICTED TO
A3	00779	C-626317	-
SCALE	SHEET	OF	REV
1:1	1	1	E2