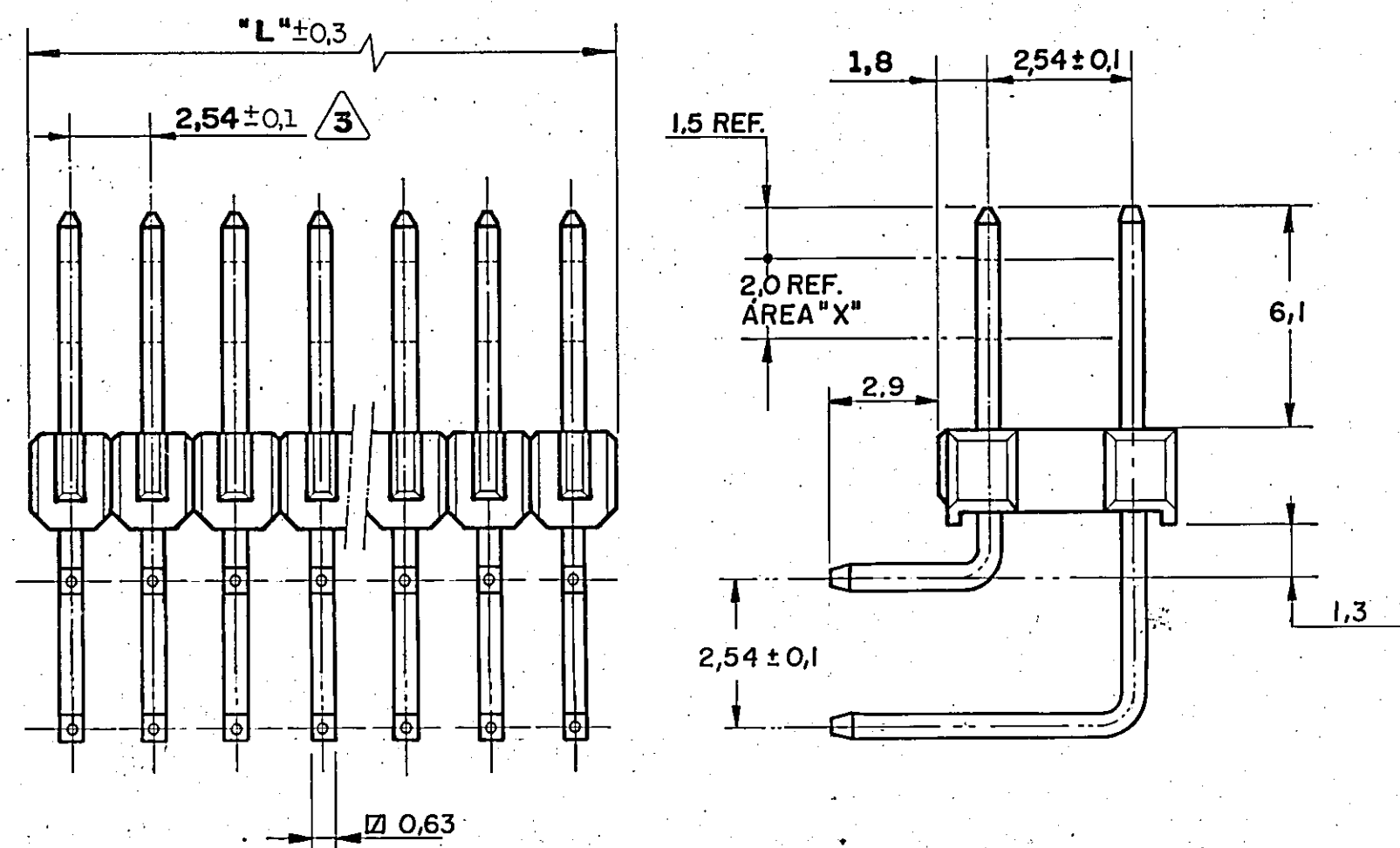


DWG NO.	DO NOT SCALE		METRIC		3rd ANGLE PROJECTION
	DIMENSIONS IN mm.				
REQ. PER ASSY	ITEM	DESCRIPTION	MATERIAL	FINISH	

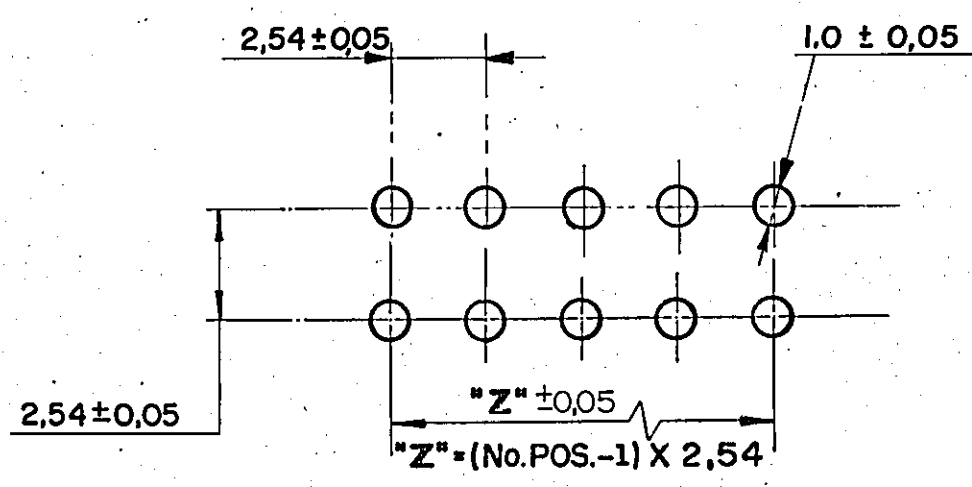


127,00	50	5-	-0
124,46	49	4-	-9
121,92	48	4-	-8
119,38	47	4-	-7
116,84	46	4-	-6
114,30	45	4-	-5
111,76	44	4-	-4
109,22	43	4-	-3
106,68	42	4-	-2
104,14	41	4-	-1
101,60	40	4-	-0
99,06	39	3-	-9
96,52	38	3-	-8
93,98	37	3-	-7
91,44	36	3-	-6
88,90	35	3-	-5
86,36	34	3-	-4
83,82	33	3-	-3
81,28	32	3-	-2
78,74	31	3-	-1
76,20	30	3-	-0
73,66	29	2-	-9
71,12	28	2-	-8
68,58	27	2-	-7
66,04	26	2-	-6
63,50	25	2-	-5
60,96	24	2-	-4
58,42	23	2-	-3
55,88	22	2-	-2
53,34	21	2-	-1
50,80	20	2-	-0
48,26	19	1-	-9
45,72	18	1-	-8
43,18	17	1-	-7
40,64	16	1-	-6
38,10	15	1-	-5
35,56	14	1-	-4
33,02	13	1-	-3
30,48	12	1-	-2
27,94	11	1-	-1
25,40	10	1-	-0
22,86	9	1-	-9
20,32	8	1-	-8
17,78	7	1-	-7
15,24	6	1-	-6
12,70	5	1-	-5
10,16	4	1-	-4
7,62	3	1-	-3
5,08	2	1-	-2
2,54	1	1-	-1

NOTES:
NOTAS

- 1 CONTACT: BRASS, W/ 0,76 µm MIN. Au ON "X" AREA; 2,54 µm MIN. Sn ON SOLDER AREA, BOTH OVER TOTAL PLATING 1,27 µm MIN. Ni.
HOUSING: THERMOPLASTIC W/ GLASS F. V-O, BLACK.
CONTATO: LATÃO, C/ 0,76 µm MIN. Au NA AREA "X"; 2,54 µm MIN. Sn NA AREA DE SOLDA, AMBOS SOBRE BANHO TOTAL DE 1,27 µm MIN. DE Ni.
RECEPTACULO: TERMOPLASTICO C/ F. VIDRO V-O, PRETO.
- 2 THIS DASH IS OBSOLETE.
ESTE TRAÇO É OBSOLETO.
- 3 TOLERANCE NON-CUMULATIVE.
TOLERÂNCIA NÃO CUMULATIVA.
- 4 OBSOLETE PARTS: OBSOLETE CIS STREAMLINING
PER D.RENAUD/D.SINISI

P.C. BOARD MOUNTING AND HOLE PATTERN.
FURACÃO RECOMENDADA PARA PLACA DE C.I.



4 OBSOLETE
4 OBSOLETE
4 OBSOLETE
4 OBSOLETE

CUSTOMER DWG for REFERENCE ONLY		THIS DRAWING IS UNPUBLISHED RELEASED FOR PUBLICATION	
TOLERANCES UNLESS OTHERWISE STATED DEC. ± 0,5 ANGLES ± 1°		1/8" DIA RANGE	WIRE RANGE
DR E. LOPES 25 DEC 94		AMP do BRASIL LTDA. São Paulo, Brasil	
CHK M. RUSSO 23 DEC 94		DESCRIPTION AMP MODU II PIN HEADER, DOUBLE ROW RIGHT ANGLE. (SQUARE POST)	
G1 REVISED PER ECO-09-026444		APP M.E. DINIZ	
G2 REVISED BY EC LB		DWG NO. A2	
F1 REDRAWN BY EC LB		SHEET 1 OF 1	
ISS REVISION RECORD		C 626256	