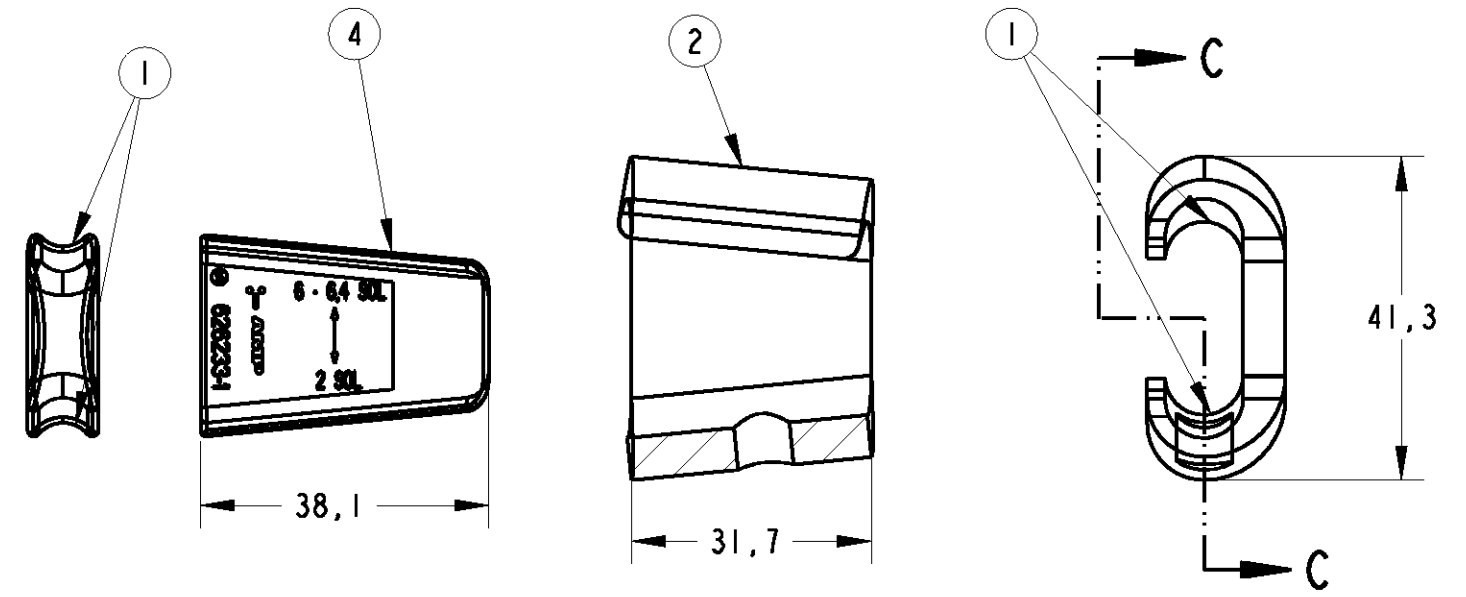
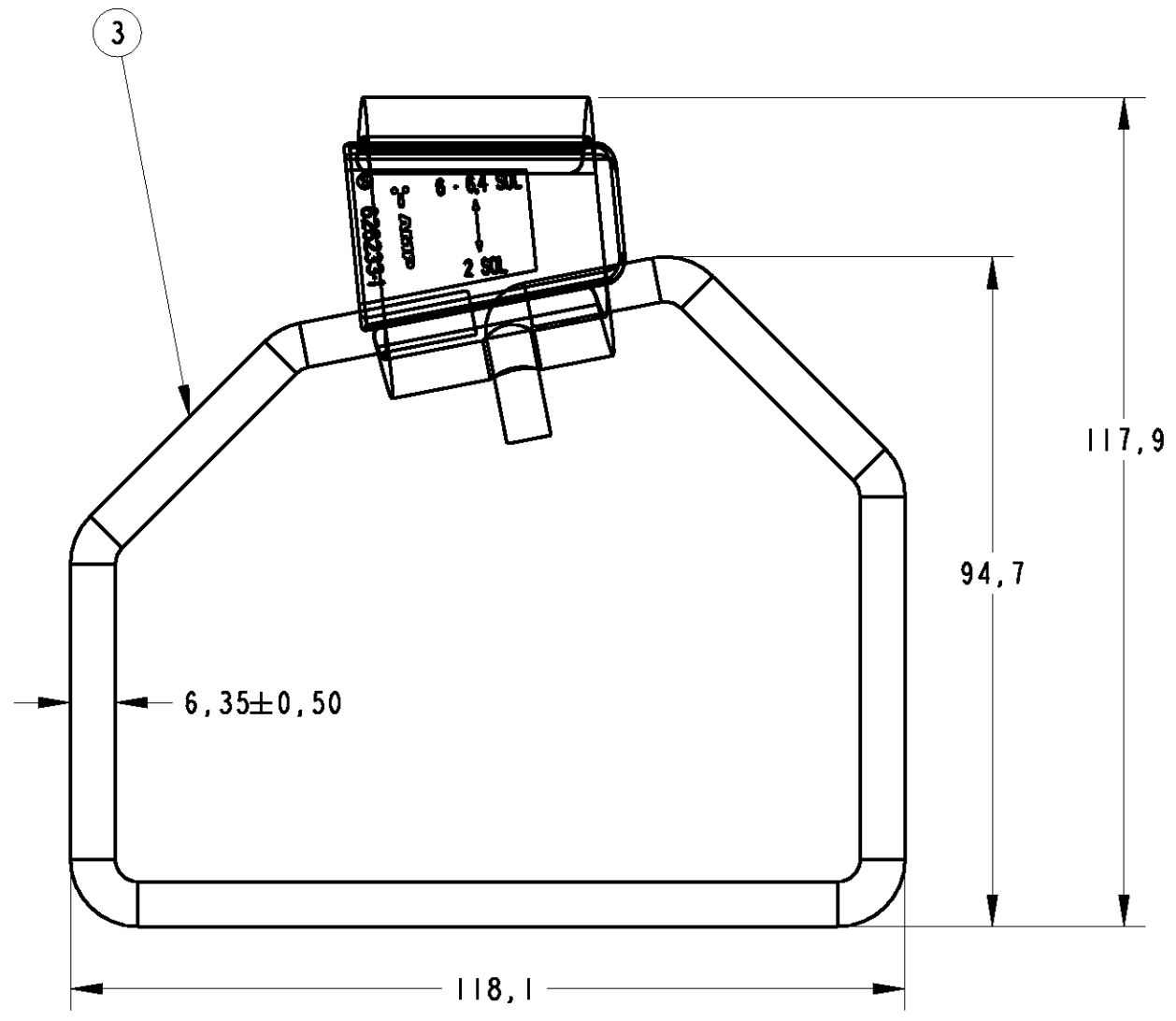


THIS DRAWING IS UNPUBLISHED. RELEASED FOR PUBLICATION .19  
 © COPYRIGHT 19 BY AMP INCORPORATED. ALL RIGHTS RESERVED.

LOC	DIST	REVISIONS			
P	LTR	DESCRIPTION	DATE	DWN	APVD
AP	-	A	REDRAWN BY EC LB00 0162/98	04JUN98	VF JAL
		B	ECO-06-008800	31MAY2006	GO WB



SECTION C-C

REQ. PER ASS'Y	ITEM	DESCRIPTION	MATERIAL	FINISH
	4	WEDGE/CUNHA	ALUMINUM ALLOY/LIGA DE ALUMÍNIO	--
	3	BAIL/ESTRIBO	COPPER/COBRE	TIN PLATED/ESTANHADO
	2	"C"	ALUMINUM ALLOY/LIGA DE ALUMÍNIO	--
	1	INHIBITOR/GRAXA	--	--
626233				

<small>THIS DRAWING IS A CONTROLLED DOCUMENT FOR AMP INCORPORATED. IT IS SUBJECT TO CHANGE AND THE CONTROLLING ENGINEERING ORGANIZATION SHOULD BE CONTACTED FOR THE LATEST REVISION.</small>		DWN <b>V. FUZETTI</b> 04JUN98 CHK <b>W. BELLINI Jr.</b> 04JUN98 APVD <b>J. A. SALVIA</b> 04JUN98	<b>AMP</b> AMP do BRASIL LTDA. São Paulo, Brasil
DIMENSIONS: <b>mm</b>	TOLERANCES UNLESS OTHERWISE SPECIFIED: 0 PLC ± 1 PLC ±2.0 2 PLC ± 3 PLC ± 4 PLC ± ANGLES ±1°	PRODUCT SPEC - APPLICATION SPEC - WEIGHT -	<b>AMPACT STIRRUP ASS'Y</b> - -
MATERIAL <b>SEE TABLE/VER TABELA</b>	FINISH <b>SEE TABLE/VER TABELA</b>	SIZE <b>A3</b> CAGE CODE <b>00779</b> DRAWING NO <b>C-626233</b>	RESTRICTED TO -
<b>CUSTOMER DRAWING</b>		SCALE - SHEET OF REV <b>B</b>	