

4

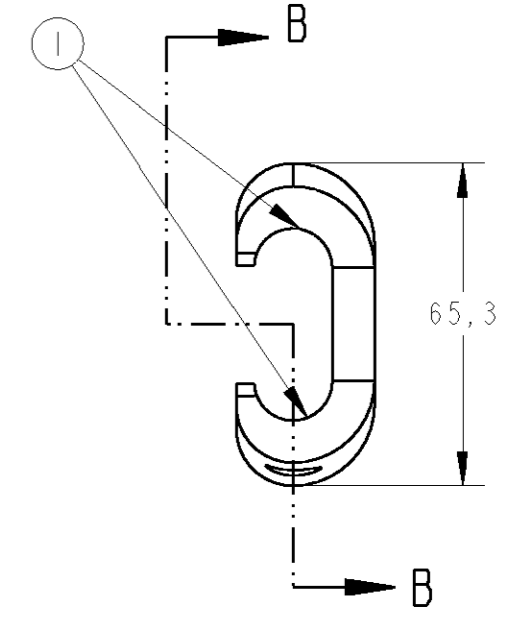
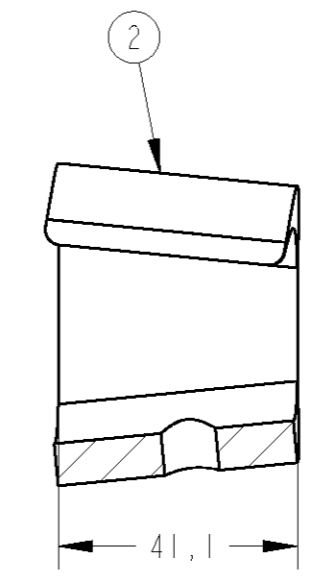
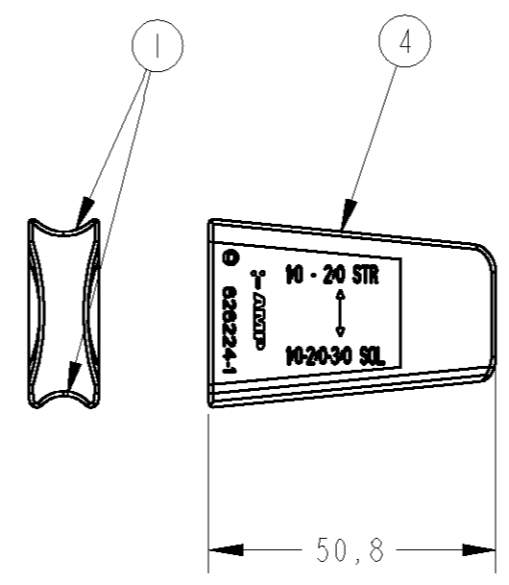
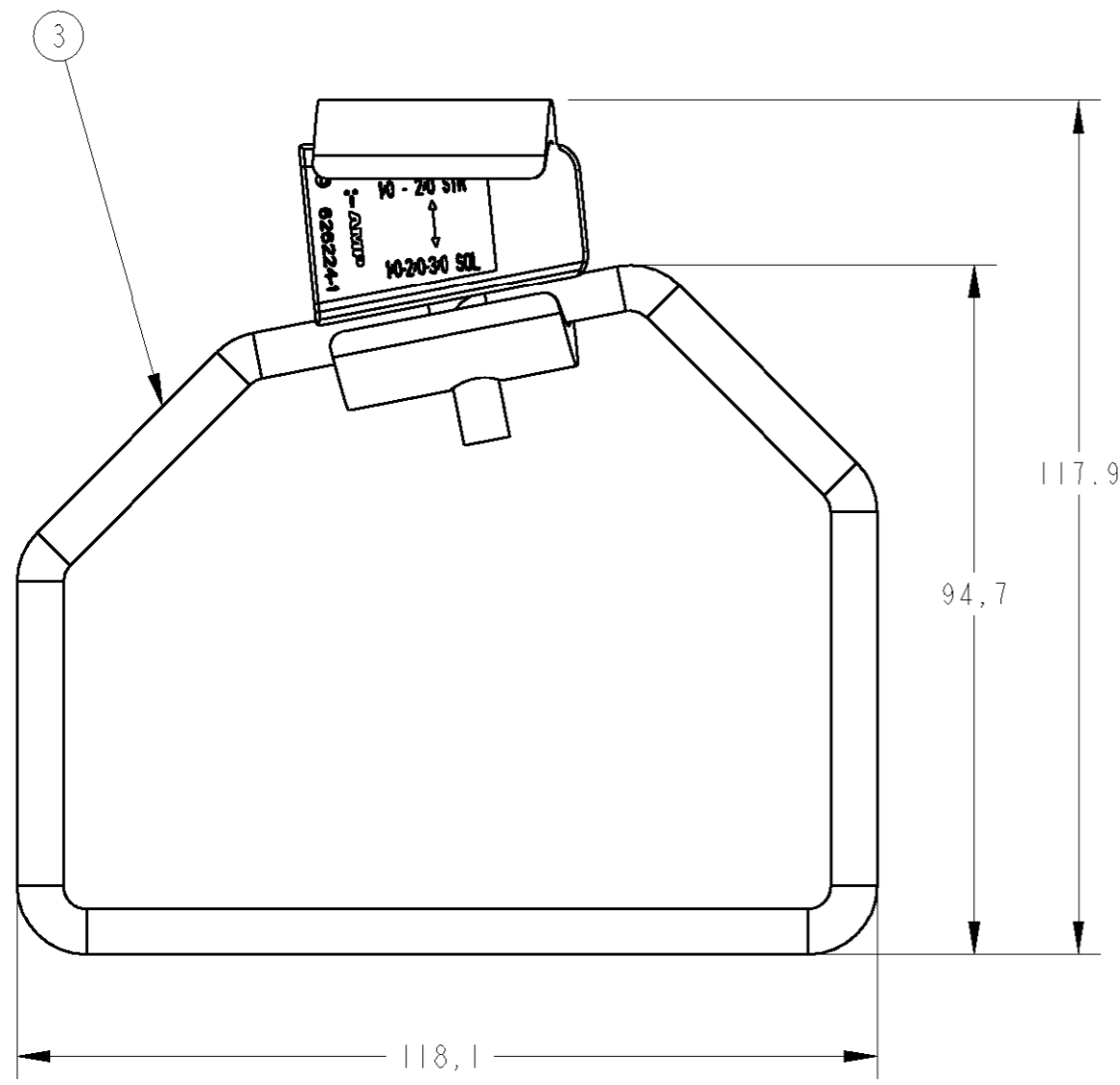
3

2

1

THIS DRAWING IS UNPUBLISHED. RELEASED FOR PUBLICATION .19 .
 © COPYRIGHT 19 BY AMP INCORPORATED. ALL RIGHTS RESERVED.

LOC	DIST	REVISIONS					
		P	LTR	DESCRIPTION	DATE	DWN	APVD
AP	-	0		ERA P81-29173/176	18FEB82	RB	RPL
		A		REDRAWN BY EC 0364/01	22AUG2001	VF	JAL



SECTION B-B

REQ. PER ASS'Y	ITEM	DESCRIPTION	MATERIAL	FINISH
1	4	WEDGE/CUNHA	ALUMINUM ALLOY/LIGA DE ALUMÍNIO	--
1	3	BAIL/ESTRIBO	COPPER/COBRE	TIN PLATED/ESTANHADO
1	2	"C"	ALUMINUM ALLOY/LIGA DE ALUMÍNIO	--
0,80g	1	INHIBITOR/GRAXA	--	--
-1				
626224				

<small>THIS DRAWING IS A CONTROLLED DOCUMENT FOR AMP INCORPORATED. IT IS SUBJECT TO CHANGE AND THE CONTROLLING ENGINEERING ORGANIZATION SHOULD BE CONTACTED FOR THE LATEST REVISION.</small>		DWN V. FUZZETTI 22AUG01 CHK W. BELLINI JR. 22AUG01 APVD J. A. LA SALVITA 22AUG01	AMP AMP do BRASIL LTDA. São Paulo, Brasil
DIMENSIONS: mm 	TOLERANCES UNLESS OTHERWISE SPECIFIED: 0 PLC ±2,0 1 PLC ±2,0 2 PLC ±2,0 3 PLC ±2,0 4 PLC ±2,0 ANGLES ±1°	PRODUCT SPEC - APPLICATION SPEC - WEIGHT -	NAME AMPACT STIRRUP ASS'Y SIZE A3 CAGE CODE 00779 DRAWING NO ©-626224 RESTRICTED TO -
MATERIAL SEE TABLE/VER TABELA	FINISH SEE TABLE/VER TABELA	CUSTOMER DRAWING	SCALE - SHEET 1 OF 1 REV A