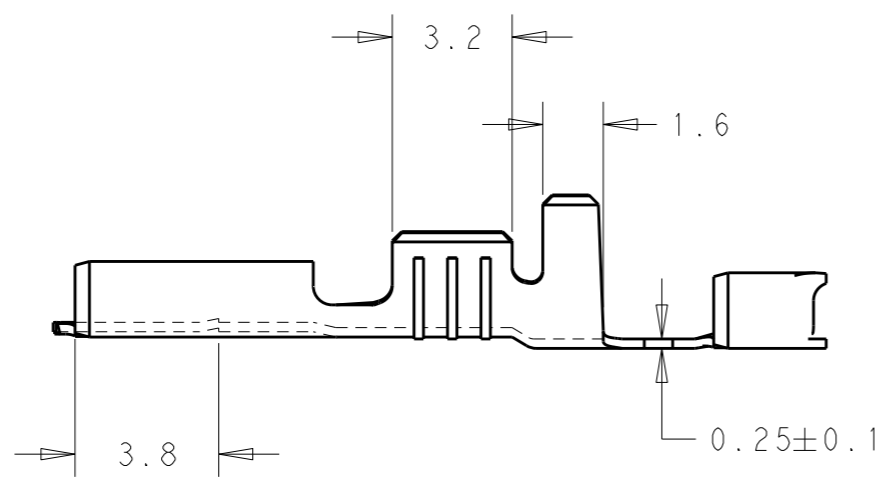
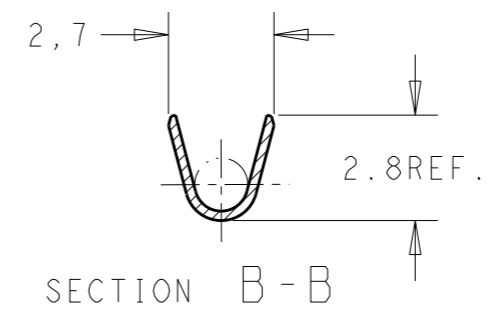
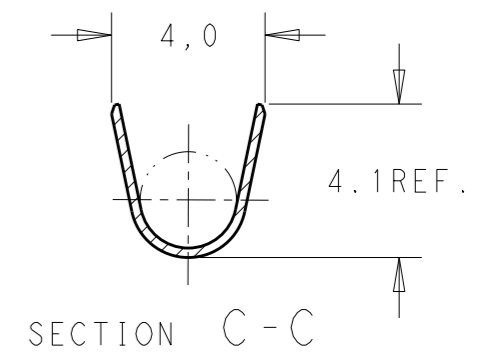
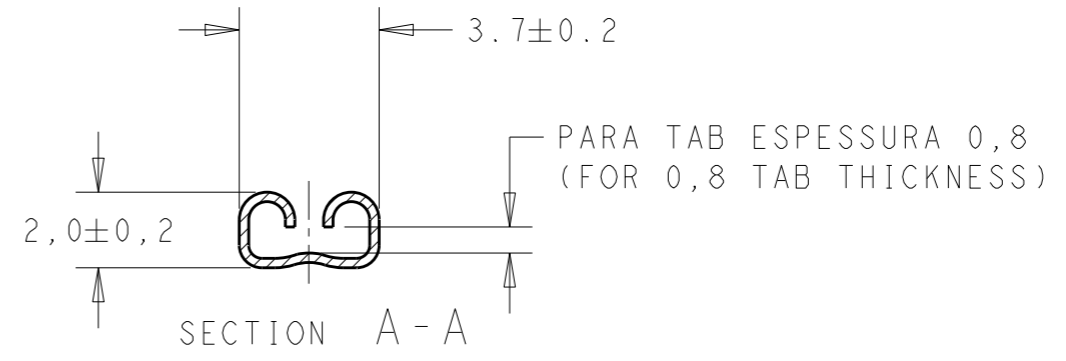
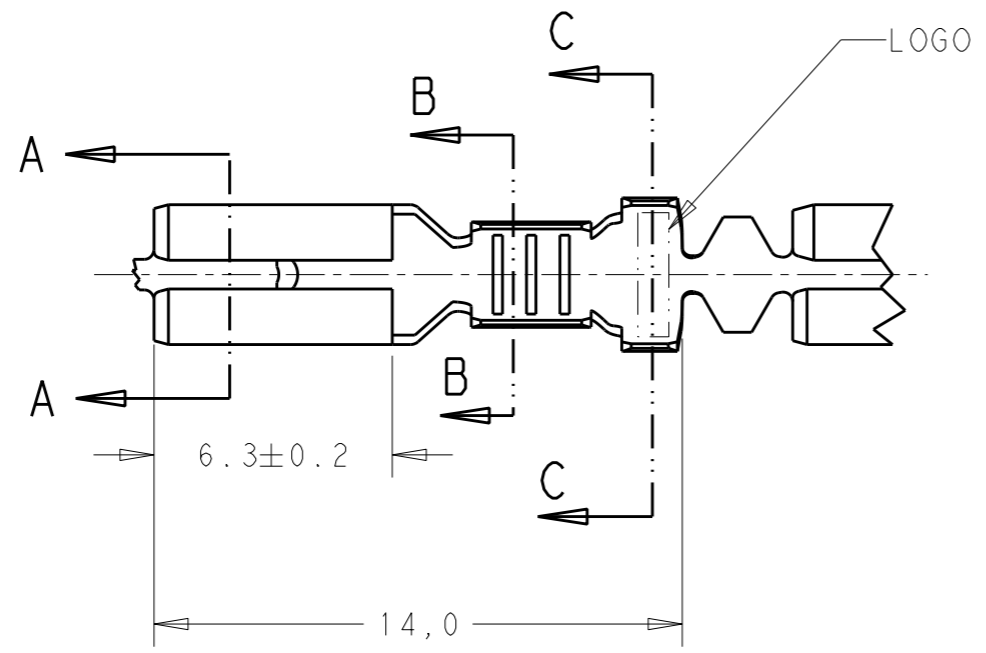


THIS DRAWING IS UNPUBLISHED. RELEASED FOR PUBLICATION 2012
 © COPYRIGHT 2012 ALL RIGHTS RESERVED.


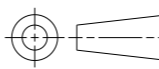
LOC	DIST	REVISIONS				
P	LTR	DESCRIPTION	DATE	DWN	APVD	
AP	-					
	R2	REV. BY ECO-12-013683	26JUL2012	HC	WLS	



626060-2	ESTANHADO/TIN-PLATED	LATÃO/BRASS	626041-2
626060-1	-	LATÃO/BRASS	626041-1
LOOSE PIECE	FINISH	MATERIAL	PART NUMBER

INS. RANGE: 2,03-3,04mm²
 WIRE RANGE: 0,5-1,5 mm²

THIS DRAWING IS A CONTROLLED DOCUMENT.

DIMENSIONS: mm	TOLERANCES UNLESS OTHERWISE SPECIFIED:	DWN H.C. CANTERI 24JUL2012	 TE Connectivity .110 SERIES FASTON RECEPTACLE
	0 PLC ±-	CHK W.L. STEFANI 26JUL2012	
	1 PLC ±0,3	APVD -	
	2 PLC ±-	PRODUCT SPEC 108-37014	
	3 PLC ±-	APPLICATION SPEC 114-2036	NAME
	4 PLC ±-	WEIGHT -	SIZE A3
	ANGLES ±-	CUSTOMER DRAWING	CAGE CODE 00779
MATERIAL -	FINISH -	SCALE 5:1	DRAWING NO C-626041
		SHEET 1 OF 1	RESTRICTED TO
		REV R2	