

THIS DRAWING IS UNPUBLISHED.

RELEASED FOR PUBLICATION

20

© COPYRIGHT 20

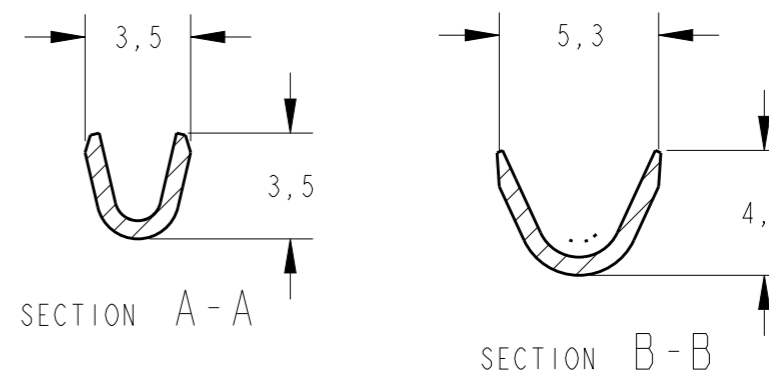
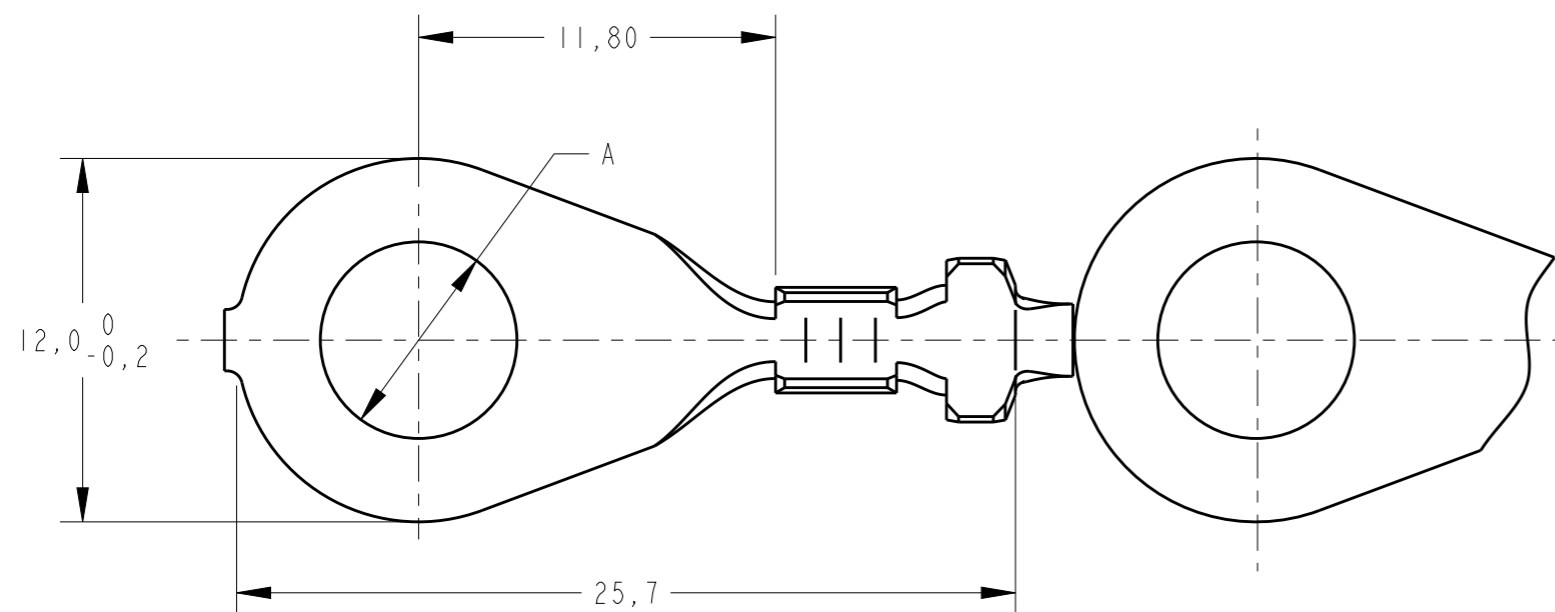
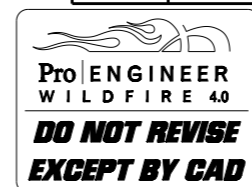
ALL RIGHTS RESERVED.

LOC
AP

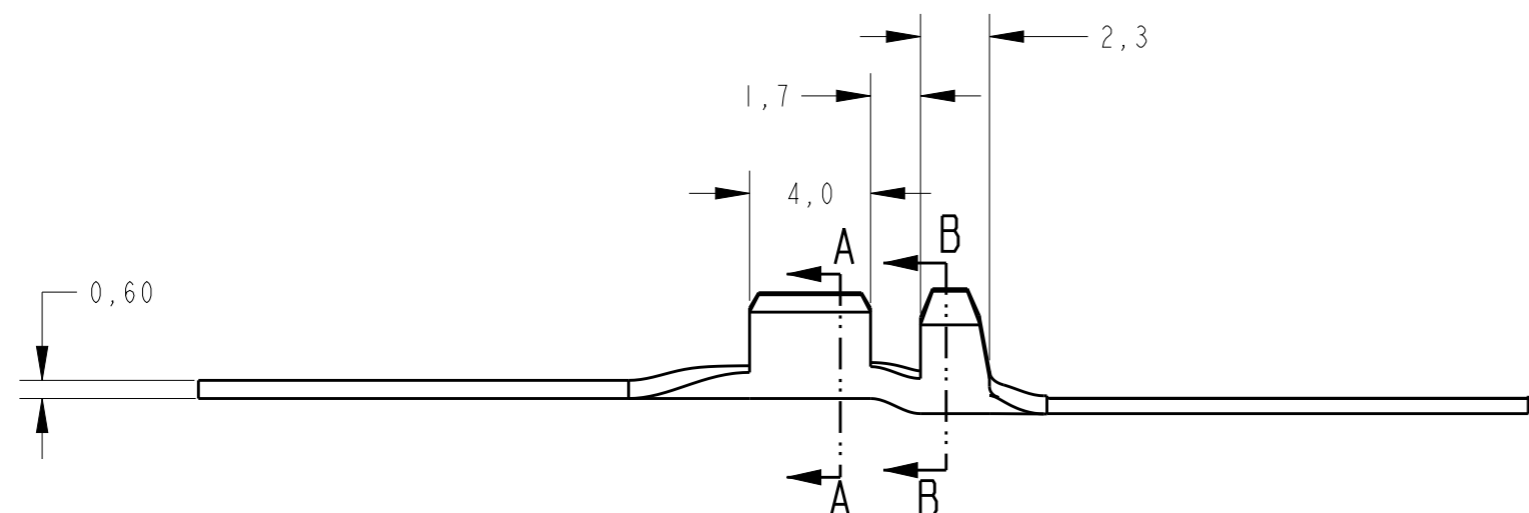
DIST
-

REVISIONS

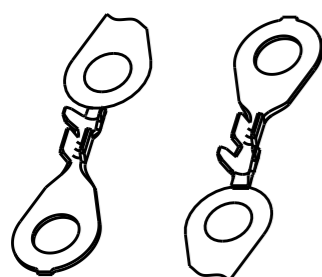
P	LTR	DESCRIPTION	DATE	DWN	APVD
D2		REDRAW BY CAD ECO-12-010156	05JUN2012	MAS	GB
D3		REVISED DRAWING ECO-13-006290	17APR2013	NCL	DAO
D4		CHANGE SPEC ECO-13-011010	13AUG2013	NCL	DAO
D5		REVISED BY ECO 16-005813	19JULY2016	HC	WLS



△ - CA 272



	6,5	ESTANHADO	LATÃO	626030-5
OBSOLETE	8,3	ESTANHADO	BRONZE FOSFOROSO	626416-4
OBSOLETE	8,3	----/----	BRONZE FOSFOROSO	626416-3
OBSOLETE	6,5	ESTANHADO	BRONZE FOSFOROSO	626030-4
OBSOLETE	6,5	----/----	BRONZE FOSFOROSO	626030-3
	8,3	ESTANHADO	LATÃO	626416-2
	8,3	----/----	LATÃO	626416-1
	6,5	ESTANHADO	LATÃO	626030-2
	6,5	----/----	LATÃO	626030-1
	∅A +0,2	FINISH	MATERIAL △	PART NO

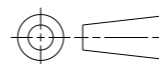


PERSPECTIVE VIEWS
SCALE 1:1

WIRE RANGE 0,5-1,5 mm ²	
INSUL / RANGE (∅mm) 1,78 - 3,05	
SURF AREA --- / ---	
APPL. FEED 27,69	TRIMMING BURR --- / ---
WDW 7,36	IDW 9,65
REELING 107--	
SPLICE 115--	

THIS DRAWING IS A CONTROLLED DOCUMENT.

DIMENSIONS:
mm



TOLERANCES UNLESS OTHERWISE SPECIFIED:

0 PLC	±-
1 PLC	±0,3
2 PLC	±-
3 PLC	±-
4 PLC	±-
ANGLES	±°
FINISH	SEE TABLE

MATERIAL SEE TABLE

SEE TABLE

DWN	05JUN2012	M.A. SARTORI
CHK	05JUN2012	J.R. GOLDSCHMIDT
APVD	05JUN2012	G. BONUCCI
PRODUCT SPEC	-	
APPLICATION SPEC	-	
WEIGHT	-	

STE TE Connectivity

NAME RING TONGUE			
SIZE	CAGE CODE	DRAWING NO	RESTRICTED TO
A3	00779	©-626030	-
CUSTOMER DRAWING / DESENHO DE CLIENTE		SCALE 4:1	SHEET 1 OF 1 REV D5