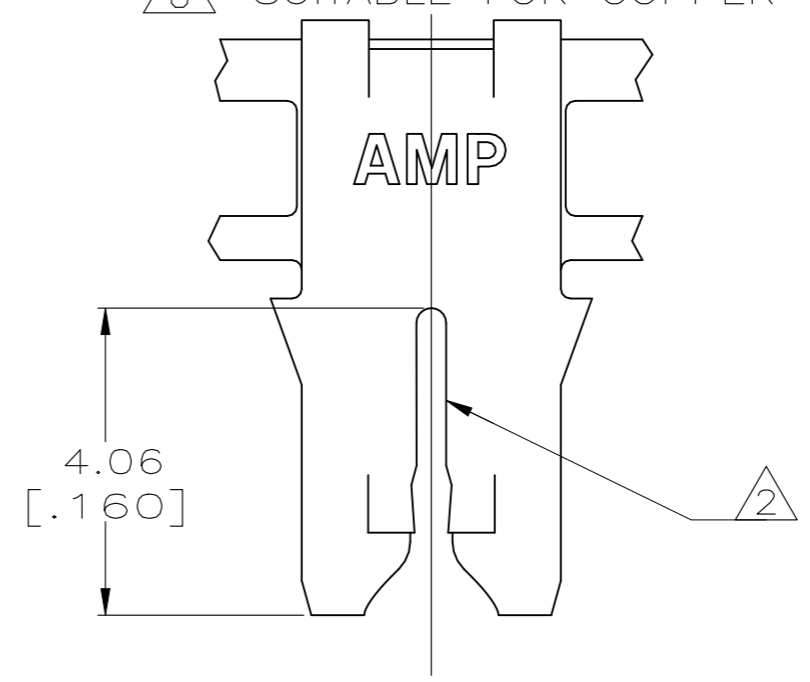
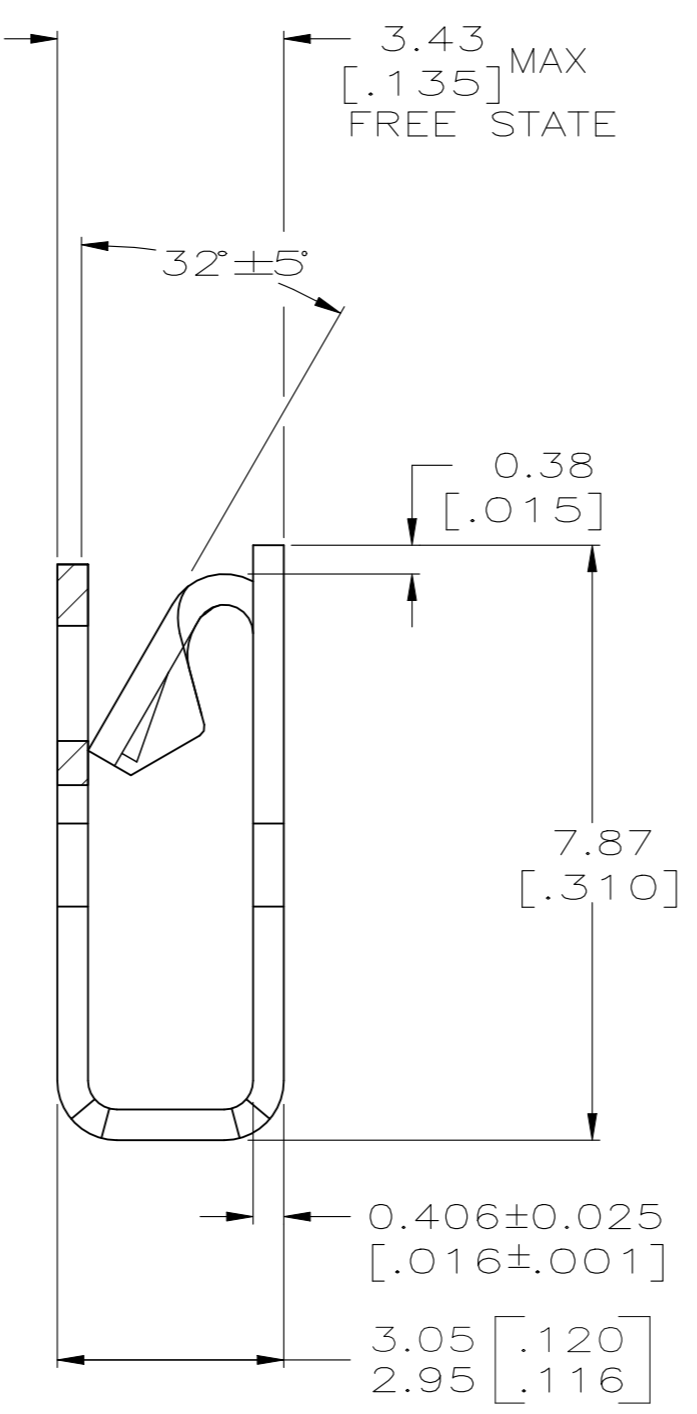
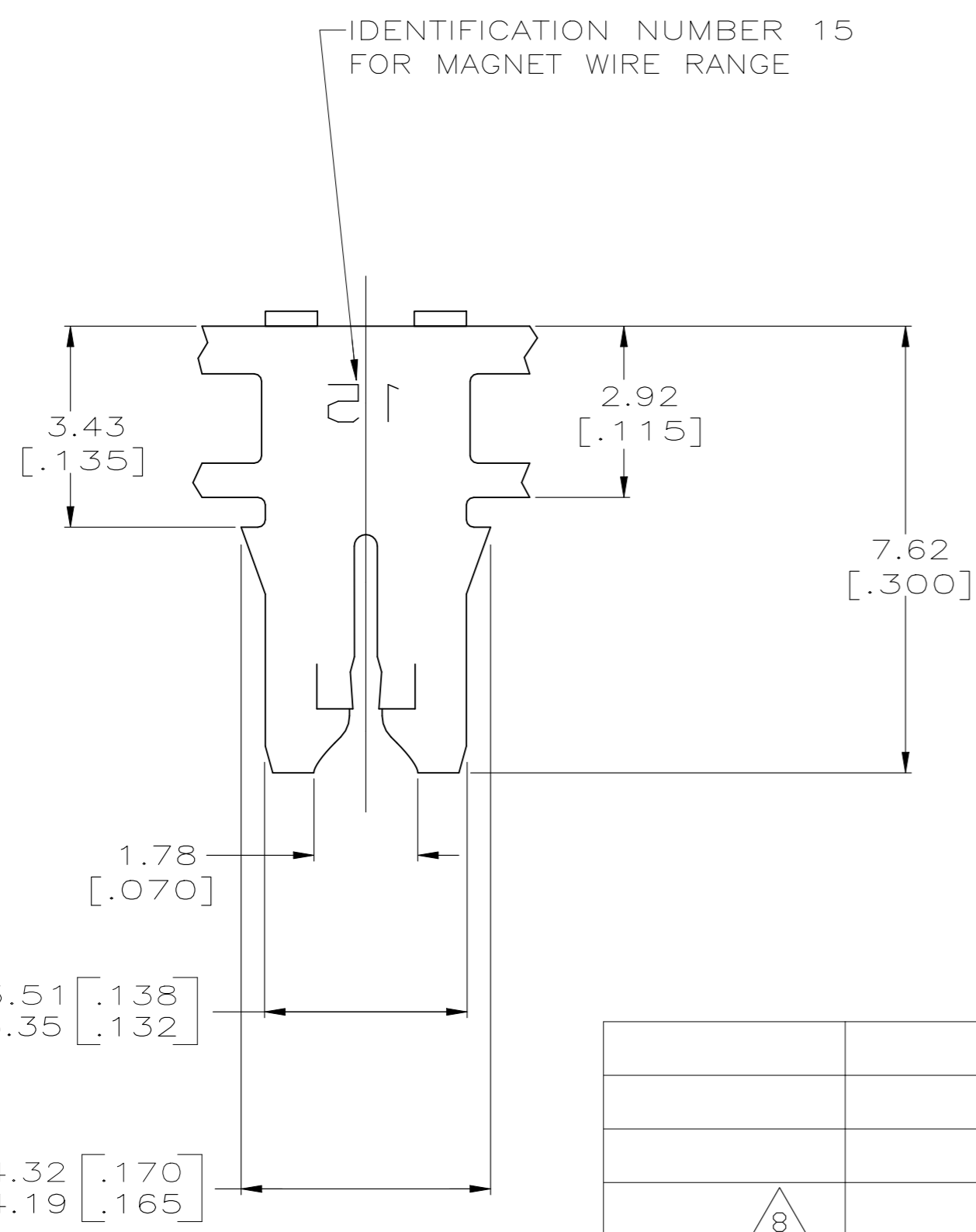
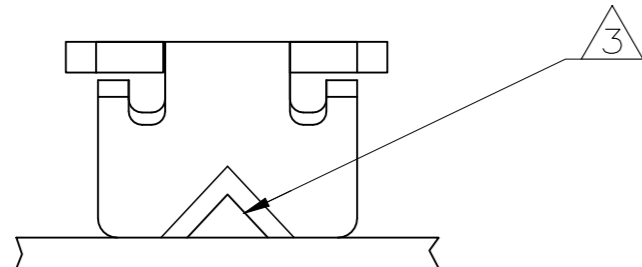


THIS DRAWING IS UNPUBLISHED. RELEASED FOR PUBLICATION  
 © COPYRIGHT - By - ALL RIGHTS RESERVED.

REVISIONS					
P	LTR	DESCRIPTION	DATE	DWN	APVD
AF1		REVISED PER ECR-21-101480	31MAR2021	BDA	KR



- 1 CONTINUOUS STRIP ON REELS WITH TERMINALS LOCATED ON 5.59±0.08 [.220±.003] CENTERS.
- △2 SLOT ACCEPTS A 0.61 - 0.81mm [#22.5 - #20 AWG] SINGLE OR 0.61mm [#22.5 AWG] DOUBLE COPPER MAGNET WIRE ONLY. SLOT ACCEPTS A 0.68 - 0.91 mm [#21.5 - #19 AWG] SINGLE OR 0.68 mm [#21.5 AWG] DOUBLE ALUMINUM MAGNET WIRE ONLY. ALUMINUM WIRE RANGE APPLIES FOR POST-TIN PLATED VERSIONS ONLY.
- △3 POKE-IN ACCEPTS A 0.81-1.02mm [#20-#18] AWG SOLID OR FUSED STRANDED LEAD WIRE.
- △4 0.0010 [.000040] MIN TIN.
- △5 VARNISH RESIST OVER 0.0010 [.000040] MIN TIN.
- △6 SPECIAL REEL QUANTITY FOR SPAIN PRODUCTION ONLY.
- △7 PRELIMINARY - NOT FOR PRODUCTION.
- △8 SUITABLE FOR COPPER MAGNET WIRES ONLY

	REVERSE	PAPER	CARDBOARD REEL	BRASS	△4	1-62420-2
		SPLICE FREE	CARDBOARD REEL	BRASS	△4	1-62420-8
	STANDARD	WELD	CARDBOARD REEL	PHOSPHOR BRONZE	△4	1-62420-4
△8	STANDARD	PAPER	PLASTIC REEL	BRASS		62420-9
	REVERSE	PAPER	CARDBOARD REEL	BRASS	△4	△7 62420-6
OBSOLETE	STANDARD	SPLICE FREE	PLASTIC REEL	BRASS	△4	△7 62420-5
OBSOLETE	STANDARD	WELD	CARDBOARD REEL	PHOSPHOR BRONZE	△4	62420-4
OBSOLETE	STANDARD	WELD	CARDBOARD REEL	BRASS	△4 △6	62420-3
OBSOLETE	STANDARD	WELD	CARDBOARD REEL	BRASS	△5	62420-2
	STANDARD	PAPER	CARDBOARD REEL	BRASS	△4	62420-1
REMARKS	REELING DIRECTION	SPLICE	REELING MATERIAL	MATERIAL	FINISH	PART NO.

THIS DRAWING IS A CONTROLLED DOCUMENT.

DWN	MICHAEL S. FEHER	5/19/92
CHK	JEFF R. RUTH	5/20/92
APVD	NELSON E. NEFF	5/21/92

TE Connectivity

TERMINAL, POKE-IN, 300 SERIES MAG-MATE

SIZE	A2	CAGE CODE	00779	DRAWING NO	C-62420	RESTRICTED TO	-
WEIGHT	0.00	SCALE	10:1	SHEET	1 OF 1	REV	AF1

CUSTOMER DRAWING