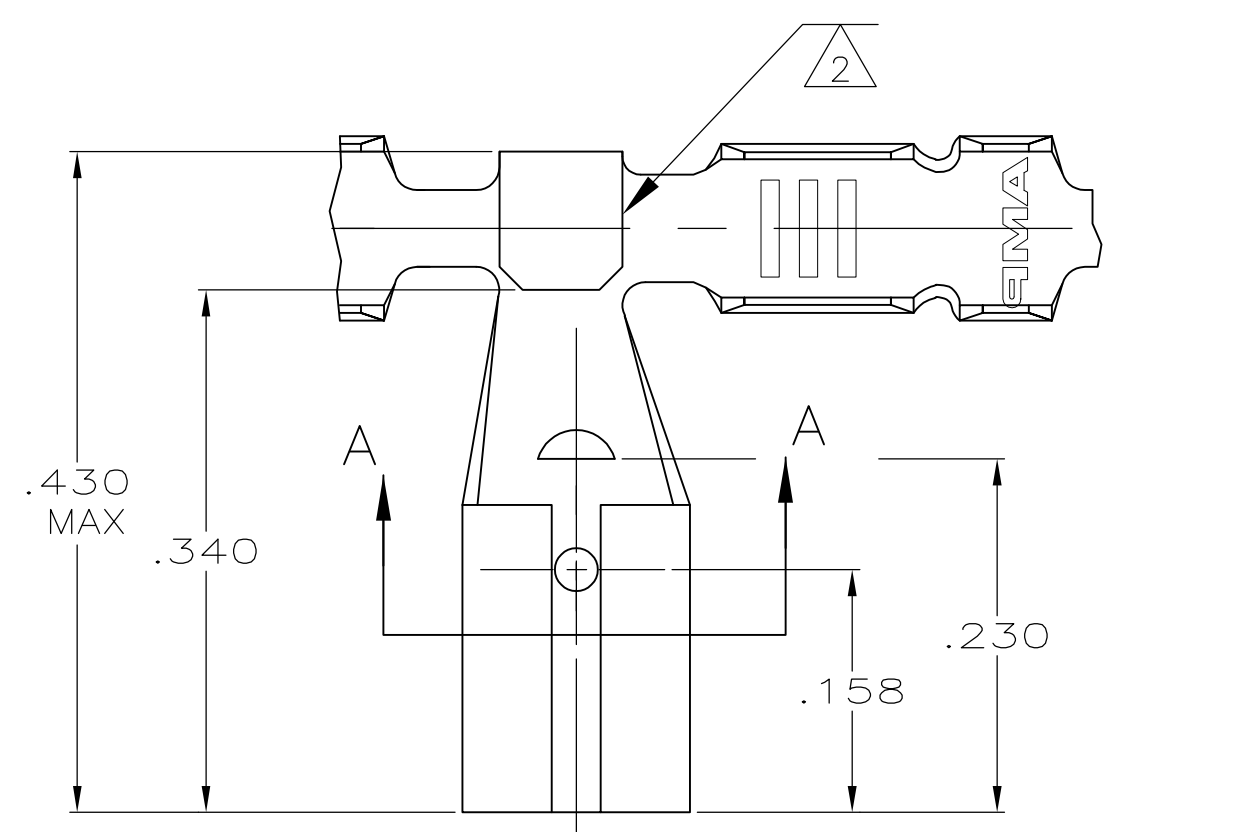
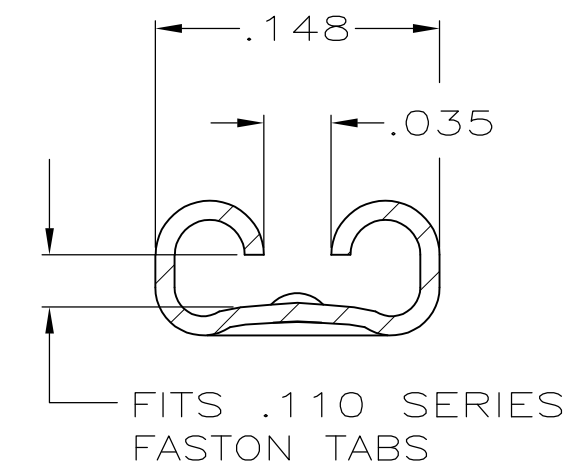


THIS DRAWING IS UNPUBLISHED. RELEASED FOR PUBLICATION
 © COPYRIGHT - By - ALL RIGHTS RESERVED.

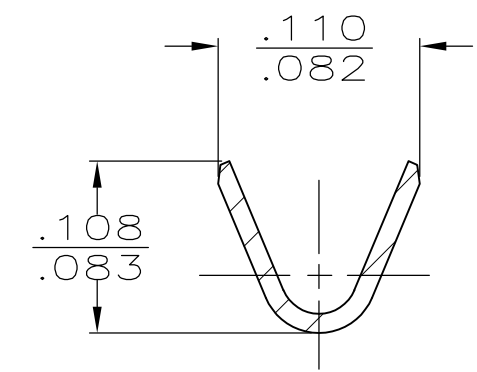
LOC	DIST	REVISIONS			
P	LTR	DESCRIPTION	DATE	DWN	APVD
AF	50				
	D	REVISED PER ECR-12-013459	27NOV2012	KH	PD



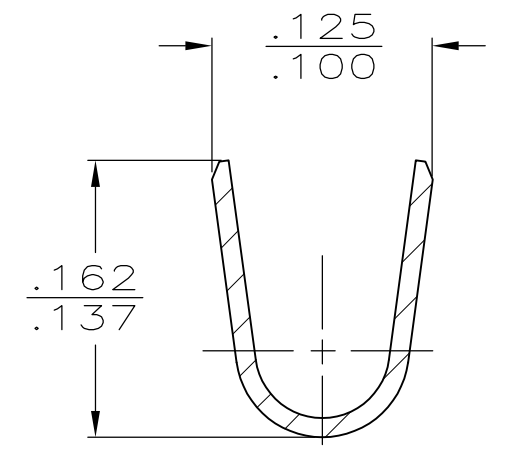
1 CONTINUOUS STRIP ON REELS
 2 GAP PERMISSABLE IN THIS AREA



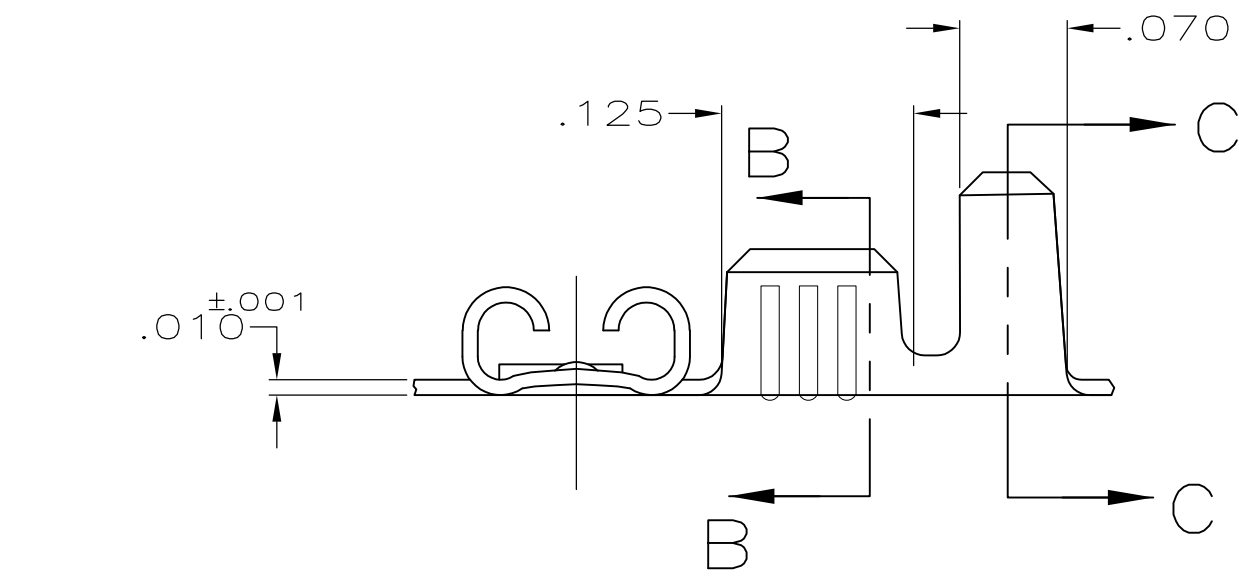
SECTION A-A
SCALE 10:1



SECTION B-B
SCALE 10:1



SECTION C-C
SCALE 10:1



2	NICKEL	CR STEEL	.060-.100 DIA	22-18 AWG	.032	62336-2
	PRE-TIN	BRASS				62336-1
	FINISH	MATERIAL	INSULATION RANGE	WIRE SIZE	MATING TAB THK ±.001	PART NO

THIS DRAWING IS A CONTROLLED DOCUMENT.		DWN	JR RUTH	4/22/91	TE Connectivity RECEPTACLE, FASTON, FLAG, .110 SERIES							
DIMENSIONS: INCHES		CHK	MS FEHER	4/22/91				NAME				
		APVD	C MEYERS	4/22/91				PRODUCT SPEC				
TOLERANCES UNLESS OTHERWISE SPECIFIED:		APPLICATION SPEC						RESTRICTED TO				
MATERIAL SEE TABLE		FINISH SEE TABLE		WEIGHT	-		SIZE	A3	CAGE CODE	00779	DRAWING NO	C-62336
CUSTOMER DRAWING				SCALE	8:1	SHEET	1 OF 1	REV	D			