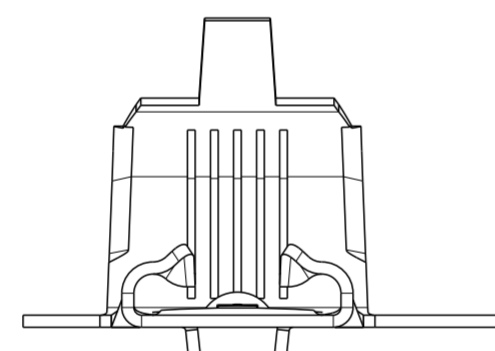
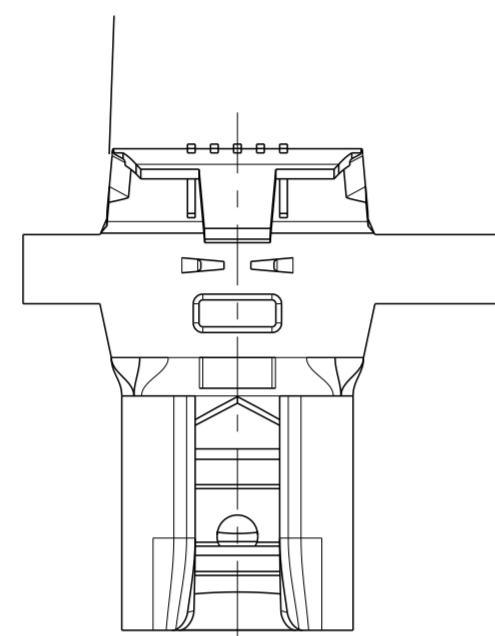

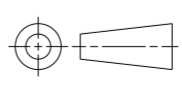


REVISIONS				
P	LTR	DESCRIPTION	DATE	APVD
	L	RELEASED PER ECN-24-XXXXXX	06MAR2024	TDB ES



1. CONTINUOUS STRIP ON REELS
2. 12-10AWG WIRE OR (2) 14AWG WIRE
3. MATES TO .032±.001 TAB

FORM	FINISH	MATERIAL	PART NUMBER
ON STRIP		BRASS	62011-3
ON STRIP	PRE-TIN	BRASS	62011-2
ON STRIP	-	BRASS	62011-1

THIS DRAWING IS A CONTROLLED DOCUMENT.		DWN T. BLAIR 06MAR2024	 TE Connectivity	
DIMENSIONS: IN		CHK B. WEAVER 06MAR2024		
		APVD E. SHERBOCKER 06MAR2024	NAME .250 SERIES FLAG FASTON RECEPTACLE	
TOLERANCES UNLESS OTHERWISE SPECIFIED: 0 PLC ±- 1 PLC ±.1 2 PLC ±- 3 PLC ±.005 4 PLC ±.0001 ANGLES ±- FINISH -		PRODUCT SPEC -	RESTRICTED TO -	
MATERIAL -		APPLICATION SPEC -	SIZE A2	CAGE CODE 00779
		WEIGHT 0.89	DRAWING NO C-62011-C	
		CUSTOMER DRAWING		SCALE 4:1 SHEET 1 OF 1 REV L