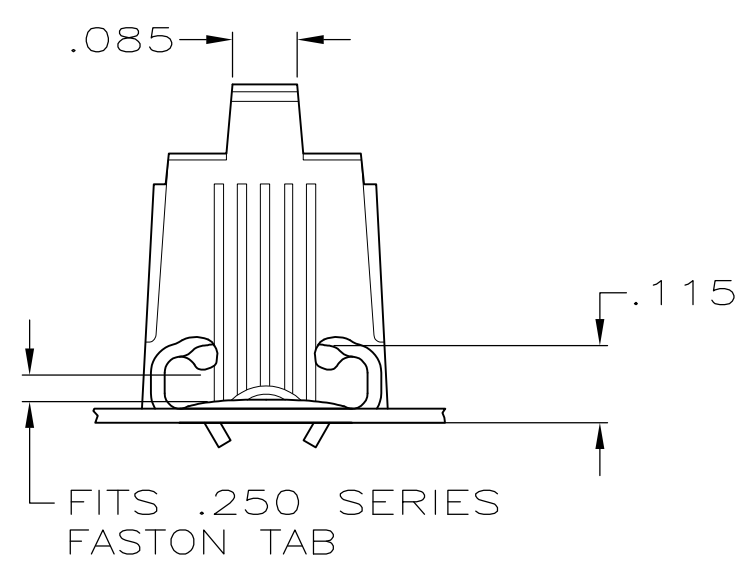
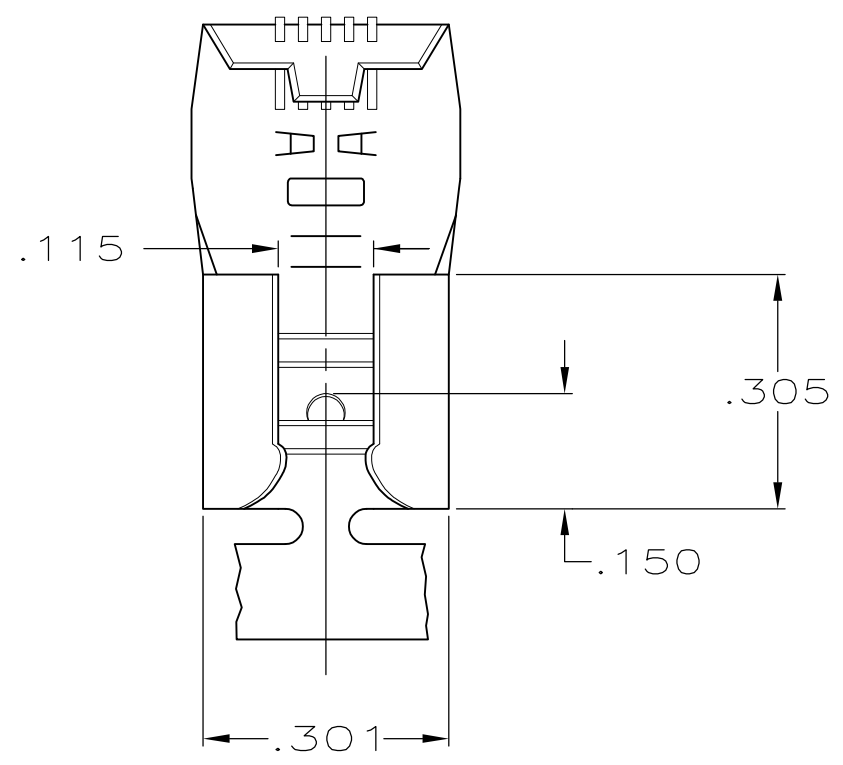


THIS DRAWING IS UNPUBLISHED. RELEASED FOR PUBLICATION
 © COPYRIGHT - By - ALL RIGHTS RESERVED.

LOC	DIST	REVISIONS			
P	LTR	DESCRIPTION	DATE	DWN	APVD
AF	50	J	REVISED PER ECR-12-013459	28NOV2012	KH PD

- 1 CONTINUOUS STRIP ON REELS.
- 2 REREELING FROM PN 62011-1, REFER TO TEC-107-3, FIG 247



12-10 OR (2) #14	.032 ±.001	---	BRASS	△ 62011-3
12-10 OR (2) #14	.032 ±.001	PRE-TIN	BRASS	62011-2
12-10 OR (2) #14	.032 ±.001	---	BRASS	62011-1
WIRE SIZE	TAB THK	FINISH	MATERIAL	PART NO

THIS DRAWING IS A CONTROLLED DOCUMENT.		DWN JR RUTH 2/3/86	STE TE Connectivity			
DIMENSIONS: INCHES		CHK MS FEHER 2/3/86				NAME RECEPTACLE, FASTON, FLAG, .250 SERIES
TOLERANCES UNLESS OTHERWISE SPECIFIED:		APVD C MEYERS 2/5/86	PRODUCT SPEC			
0 PLC ± - 1 PLC ± - 2 PLC ± - 3 PLC ± .015 4 PLC ± - ANGLES ± -		APPLICATION SPEC	RESTRICTED TO			
MATERIAL SEE TABLE		FINISH SEE TABLE	WEIGHT 0.89	SIZE A3	CAGE CODE 00779	DRAWING NO C-62011
CUSTOMER DRAWING			SCALE NTS	SHEET 1 OF 1	REV K	