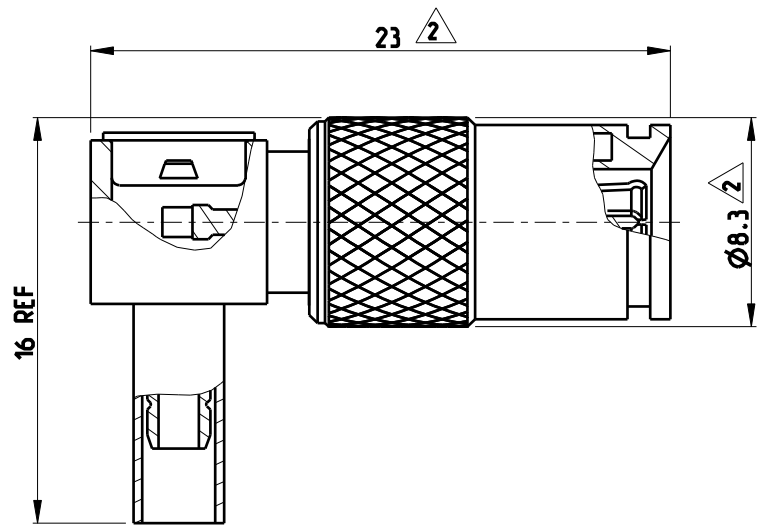


THIS DRAWING IS UNPUBLISHED. RELEASED FOR PUBLICATION
 © COPYRIGHT 2005 BY TYCO ELECTRONICS CORPORATION. ALL RIGHTS RESERVED.

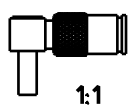
LOC	DIST	REVISIONS					
		P	LTR	DESCRIPTION	DATE	DWN	APVD
IS	-	A		First Issue	13DEC2005	MG	OB



1	1	CAP	6	Sn	
1	1	KNURLED SHELL		CuZn	Ni
1	1	DIELECTRIC		PTFE	
1	1	OUTER CONDUCTOR		Phosphor Bronze / BeCu	Ni / Au
1	1	CENTER CONDUCTOR	7	CuZn	Au
1	1	FERULE	6	Cu	Ni
5--1	-1	DESCRIPTION		MATERIAL	PLATING
5	4	ORDER N°	ORDER N°		

1) Dimensions of mating face according to IEC 169-29 and CECC 22230

- 2 Max. dimensions
- 3 DIN ISO 8015 ; DIN ISO 2768-mH
- 4 ONE PLUG PACKED IN PLASTIC BAG
- 5 200 PLUGS PACKED IN CARTON BOX
- 6 SUPLIED AS LOOSE PART
- 7 CENTER CONDUCTOR TO BE SOLDERED



<small>THIS DRAWING IS A CONTROLLED DOCUMENT FOR TYCO ELECTRONICS CORPORATION. IT IS SUBJECT TO CHANGE AND THE CONTROLLING ENGINEERING ORGANIZATION SHOULD BE CONTACTED FOR THE LATEST REVISION.</small>		DWN R. Luppi 11MAY2005 CHR D. Bozzer 11MAY2005 APVD - PRODUCT SPEC - APPLICATION SPEC 116-71010 WEIGHT -	tyco <i>Electronics</i> tyco Electronics AMP GmbH D - 64625 Bensheim
DIMENSIONS: mm 		TOLERANCES UNLESS OTHERWISE SPECIFIED: 0 PLC ± 1 PLC ± 2 PLC ± 3 PLC ± 4 PLC ± ANGLES ±° FINISH -	
MATERIAL -		NAME CABLE PLUG DIN 1.0/2.3 SERIES RG316 CABLE TYPE SIZE A3 CAGE CODE 00779 DRAWING NO C-619228 RESTRICTED TO - SCALE 5:1 SHEET 1 OF 1 REV A	
CUSTOMER DRAWING		SCALE 5:1 SHEET 1 OF 1 REV A	