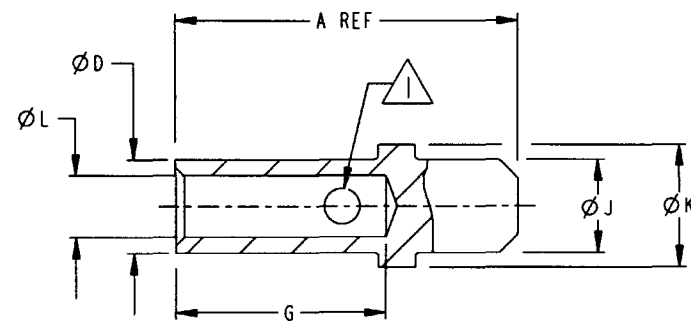


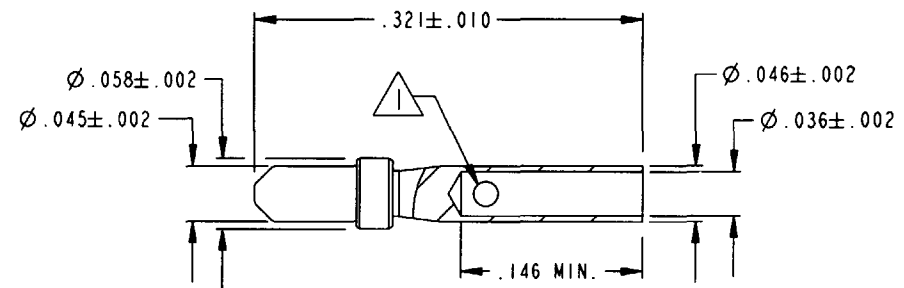
PROPERTY OF DEUTSCH E.C.D.

This drawing contains proprietary information that shall not be disclosed, duplicated, nor used in whole or in part for any purpose other than to evaluate this drawing.

D	61801	REVISIONS		
		REV	DESCRIPTION	DATE
D		REVISED PER E.O. C5745	0955E02	A.R.



SIZE 20, 16, 12 & 8



SIZE 22 ONLY

PART NUMBER	SIZE	WIRE RANGE	SEALING RANGE		A REF	ϕD	G MIN.	ϕJ	ϕK	ϕL	INSERT AND EXTRACT TOOL NUMBER	CRIMP TOOL	APPROX. WT. PER CONTACT IN LBS.
			MIN. O.D.	MAX. O.D.									
100060-26	22	26-24-22	.033	.054	NA	NA	NA	NA	NA	NA	MI5570-22-1	DAN MH800/K127	.0002
1841-1-2620	20	24-22-20	.040	.083	.281	.078 .076	.163	.078 .076	.103 .100	.050 .048	MI5570-20	MIL-C-22520/1-02	.0004
1841-1-2616	16	20-18-16	.068	.103	.381	.103 .101	.250	.103 .101	.133 .130	.068 .066	MI5570-16	MIL-C-22520/1-02	.0008
1841-1-2612	12	14-12	.106	.158	.420	.151 .148	.250	.151 .148	.190 .186	.103 .098	MI5570-12	MIL-C-22520/1-02	.0018
1841-1-2608	8	8	.127	.203	.465		.300				MI5515-103	BUCHANAN 20399	.0031

- FINISH - GOLD PLATE PER MIL-G-45204, TYPE 11, CLASS 2.
- CONTACT MATERIAL - COPPER ALLOY.
- SEE "GENERAL DESCRIPTION" FOR ELECTRICAL AND MATERIAL SPECIFICATION.
- WIRE INSPECTION HOLE (ONE WALL ONLY).

SIGNATURE & DATE		CONTACT	CP ---	MATE CODE
DR	J. FRIEDHOF 5-30-03			
CHK	J. FRIEDHOF 0955E02	TERMINAL JUNCTION SIZE 22, 20, 16, 12 & 8	DEUTSCH ENGINEERED CONNECTING DEVICES 5733 W. Whitaker Ave. Hemet, California	
PE	J. FRIEDHOF 5-30-03			
APPD	J. FRIEDHOF 5/30/03	ENVELOPE	A	
SCALE	1:1		WT	NONE
			CODE	1113
			SHEET	OF