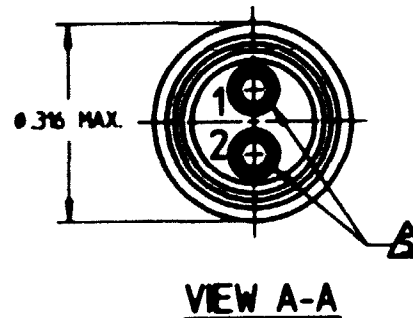
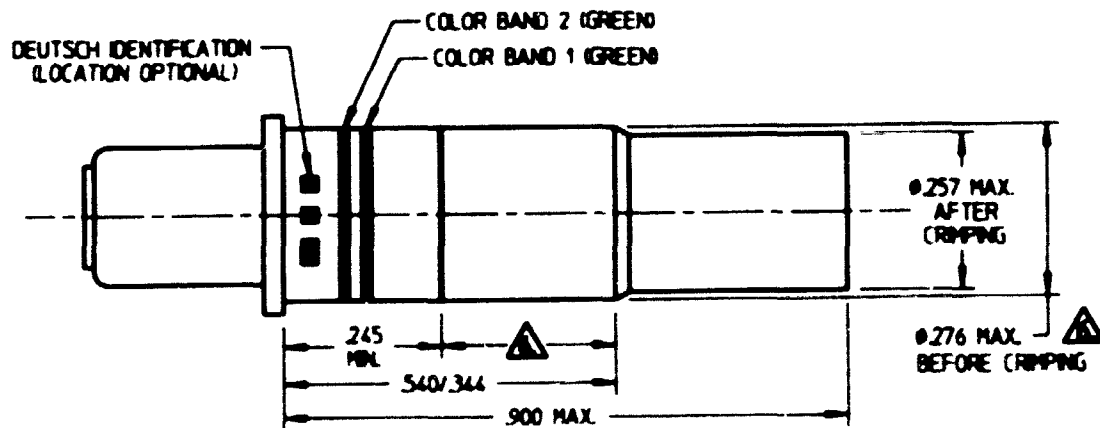


PROPERTY OF DEUTSCH E. O. D.

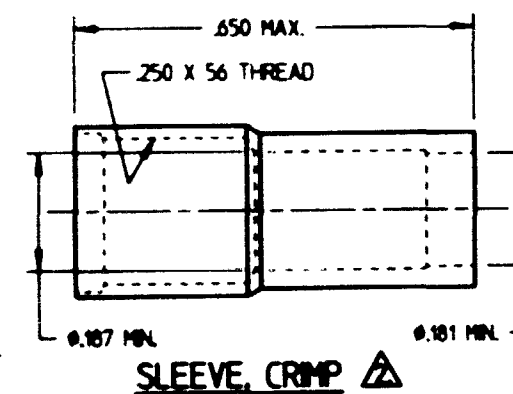
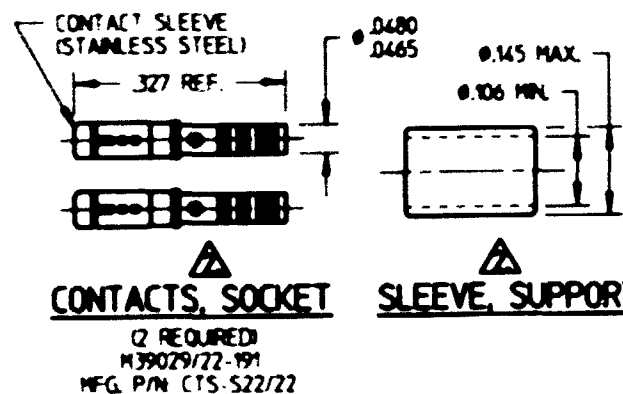
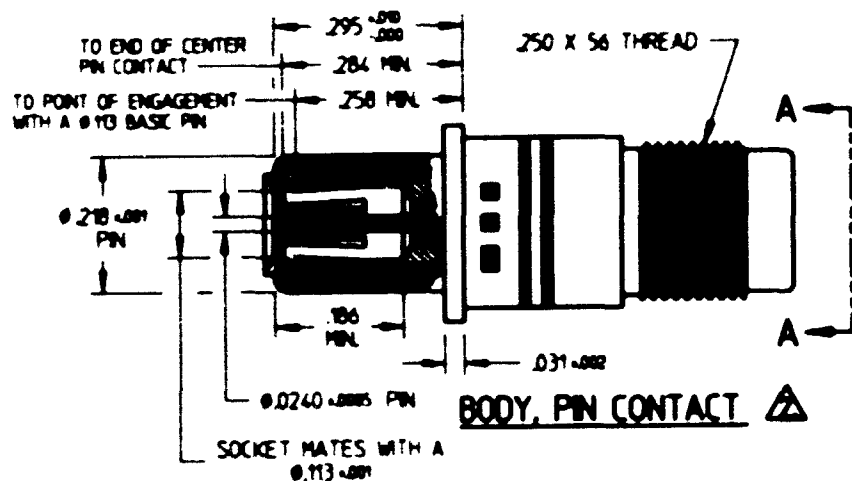
This drawing contains proprietary information that shall not be disclosed, duplicated, nor used in whole or in part for any purpose other than to evaluate this drawing.

N/C 6162-315-0877

REVISIONS			
REV	DESCRIPTION	DATE	APPROVED
N/C	NEW RELEASE PER E.O. 12813	12-9-94	[Signature]



PIN CONTACT (SHOWN ASSEMBLED)



- PART IS SAME AS 6162-289-0877 EXCEPT LESS WIRE SEALING BOOT.
- FOR ASSEMBLY INSTRUCTIONS, SEE FORM 1045.
- CONTACT ACCOMMODATES RAYCHEM DOUBLE SHIELD MULTIPLEX CABLES 10613 & 10614.
- IN AREA SHOWN, THE DIAMETER MAY GROW TO 0.290 MAX. AFTER CRIMPING.
- CAVITY MARKED "1" GOES TO INNER CONTACT, CAVITY MARKED "2" GOES TO INTERMEDIATE CONTACT.
- CONTACTS ARE PLATED .000050 MIN GOLD PER MIL-G-45204.
- ALL METALLIC COMPONENTS ARE MADE OF HIGH GRADE COPPER ALLOY EXCEPT AS SHOWN.
- DESIGNATES PARTS ARE SHIPPED LOOSE, EXCEPT CRIMP SLEEVE MAY BE THREADED ON BODY.
- DIMENSIONS ARE IN INCHES.

CONTACT	TEST CURRENT (AMPERES)	CONTACT RESISTANCE			MIN. CRIMP TENSILE STRENGTH AXIAL LOAD (POUNDS)	DIELECTRIC WITHSTANDING VOLTAGE		
		MAXIMUM VOLTAGE DROP (mV)				CONTACTS	ALTITUDE	TEST VOLTAGE A.C. RMS
		INITIAL	AFTER CONDITIONING	AFTER CONDITIONING				
CENTER	1.0	55	66	94	8	CENTER TO INTERMEDIATE	SEA LEVEL	1000
INTERMEDIATE	1.0	55	66	94	8	-----	-----	-----
OUTER	12.0	75	90	120	25	INTERMEDIATE TO OUTER	SEA LEVEL	500

NO.	SIGNATURE	DATE
DR	R. GROSS	12-8-94
CHK	[Signature]	12-9-94
APP	R. Gross	12-8-94
DATE	NONE	---

CONTACT, PIN
 CONCENTRIC TWINAX DATABUS
 SIZE 8
 FOR D38999 CONNECTOR

ENVELOPE

DEUTSCH
 ENGINEERED CONNECTING DEVICES
 36033 Whittier Ave
 Torrance, California

6162-315-0877

CODE SHEET 1 OF 1

6162-315-0877.dwg