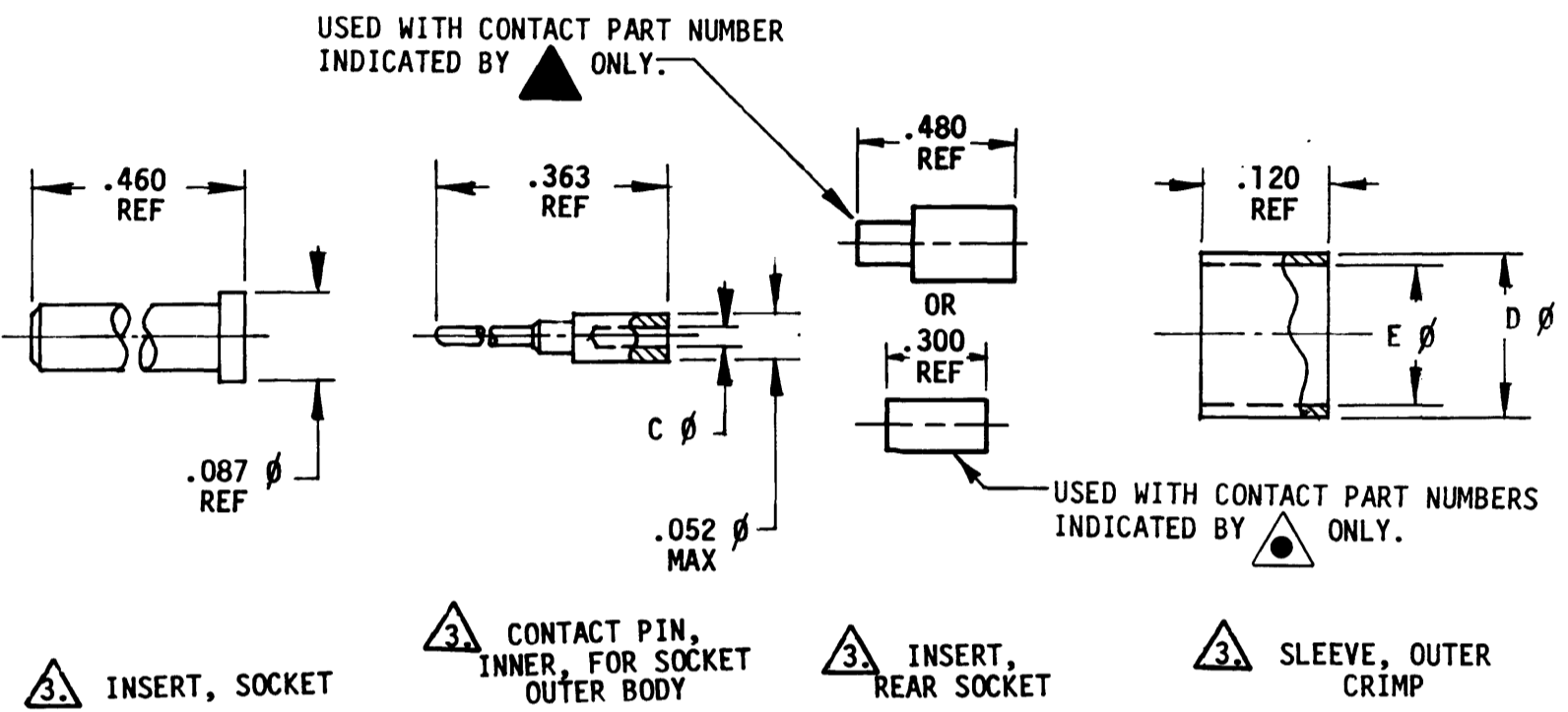
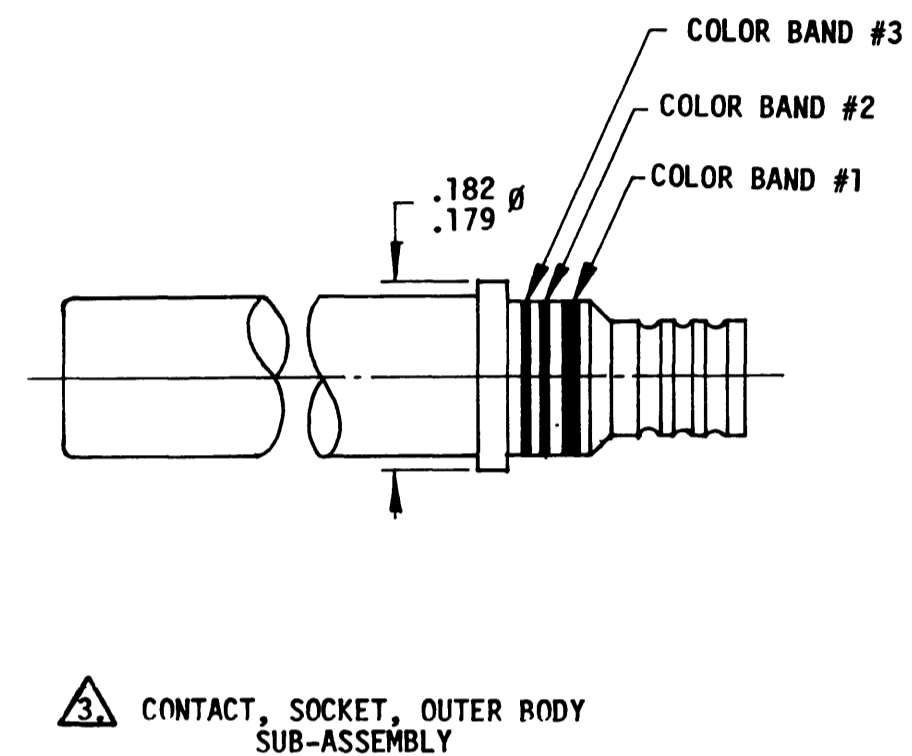
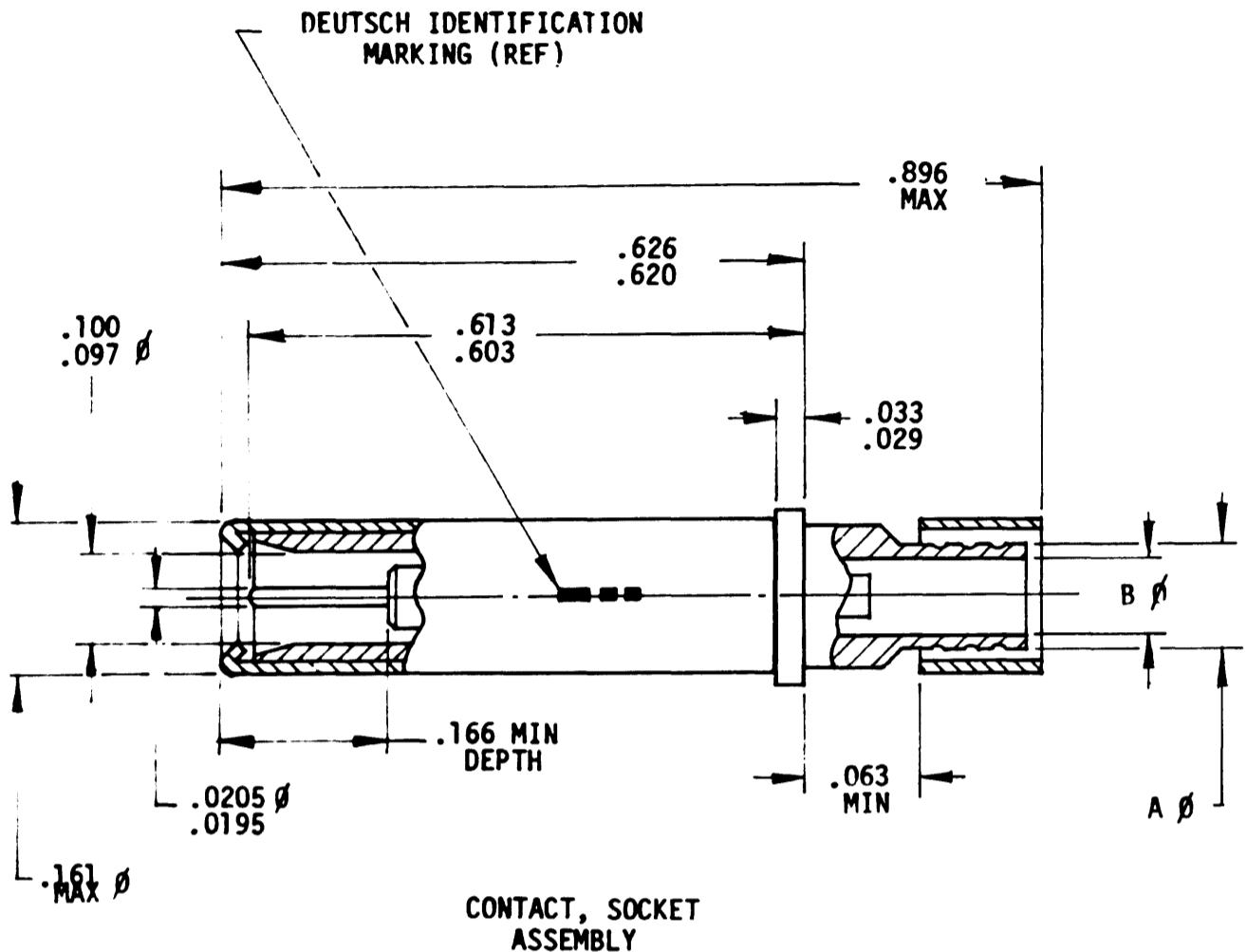


REVISIONS			
SYM	DESCRIPTION	DATE	APPROVED
N/C	NEW RELEASE PER E.O. A3061	1-23-85	<i>[Signature]</i>



REV	6162-217-1277
N/C	THRU 6162-224-1277

DEUTSCH PART NUMBER	CONTACT TYPE	BIN CODE	COLOR BANDS			OUTER A Ø MAX	CONTACT B Ø MIN	INNER CONTACT C Ø MIN	CRIMP D Ø MAX	SLEEVE E Ø MIN	TOOL INFORMATION		
			FIRST	SECOND	THIRD						INNER CONTACT CRIMPING TOOL	CRIMP SLEEVE CRIMPING TOOL	INSERTION/EXTRACTION
6162-217-1277	S	416	YELLOW	BROWN	BLUE	.110	.090	.0225	.169	.127	M22520/2-01	M22520/31-01	
6162-218-1277	S	417	YELLOW	BROWN	VIOLET	.127	.108	.0225	.169	.144	M22520/2-34	M22520/31-02	M81969/14-04
6162-219-1277	S	418	YELLOW	BROWN	GRAY	.127	.108	.0355	.169	.144	WITH POSITIONER	WITH POSITIONER	
6162-220-1277	S	419	YELLOW	BROWN	WHITE	.110	.090	.0355	.169	.127			
6162-221-1277	S	420	YELLOW	RED	BLACK	.110	.090	.0225	.169	.127			
6162-222-1277	S	421	YELLOW	RED	BROWN	.136	.117	.0270	.174	.156			
6162-223-1277	S	422	YELLOW	RED	RED	.110	.090	.0225	.169	.144			
6162-224-1277	S	423	YELLOW	RED	ORANGE	.127	.108	.0355	.174	.156			

- THIS SHIELDED CONTACT WILL MEET ALL CABLE SIZES IN MIL-C-39029/75 AND /28. FOR CABLE SIZES REFER TO MIL-C-39029/75 AND /28.
- CONTACTS PLATED .000050 MIN. GOLD PER MIL-G-45204.
- ALL COMPONENTS MADE OF HIGH GRADE COPPER ALLOY. DIELECTRICS MADE FROM TEFLON.
- DESIGNATED PARTS ARE SHIPPED LOOSE.
- CONSULT FACTORY FOR AVAILABILITY.
- ALL DIMENSIONS ARE IN INCHES UNLESS OTHERWISE SPECIFIED.

SIGNATURE & DATE		CONTACT, SOCKET SIZE 12 SHIELDED MIL-C-39029/75 ENVELOPE	CP	MATL CODE	
DR	<i>[Signature]</i> 1-23-85		The Deutsch Company ELECTRONIC COMPONENTS DIVISION Municipal Airport Banning, California		
CHK	<i>[Signature]</i> 3/7/85		C	6162-217-1277 THRU 6162-224-1277	
PE				DWG SIZE	CODE 11139
APPD		SCALE NONE	WT		