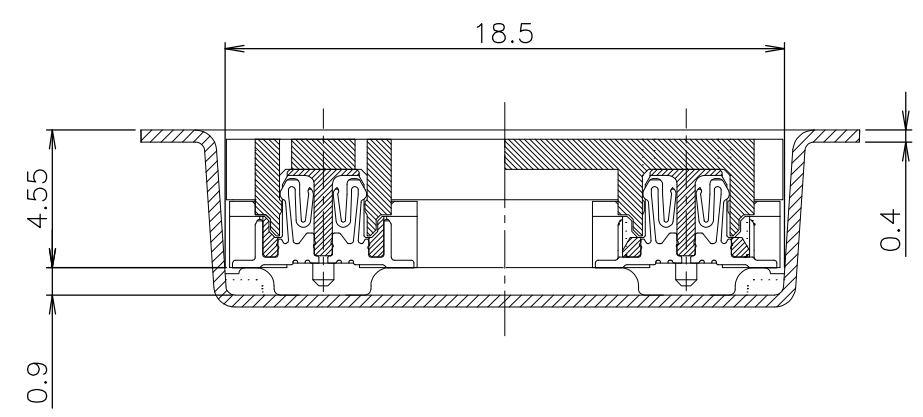
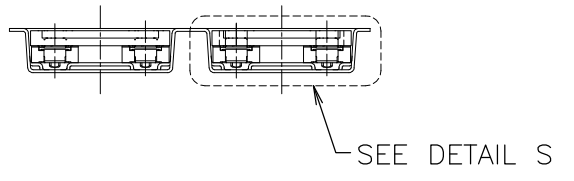
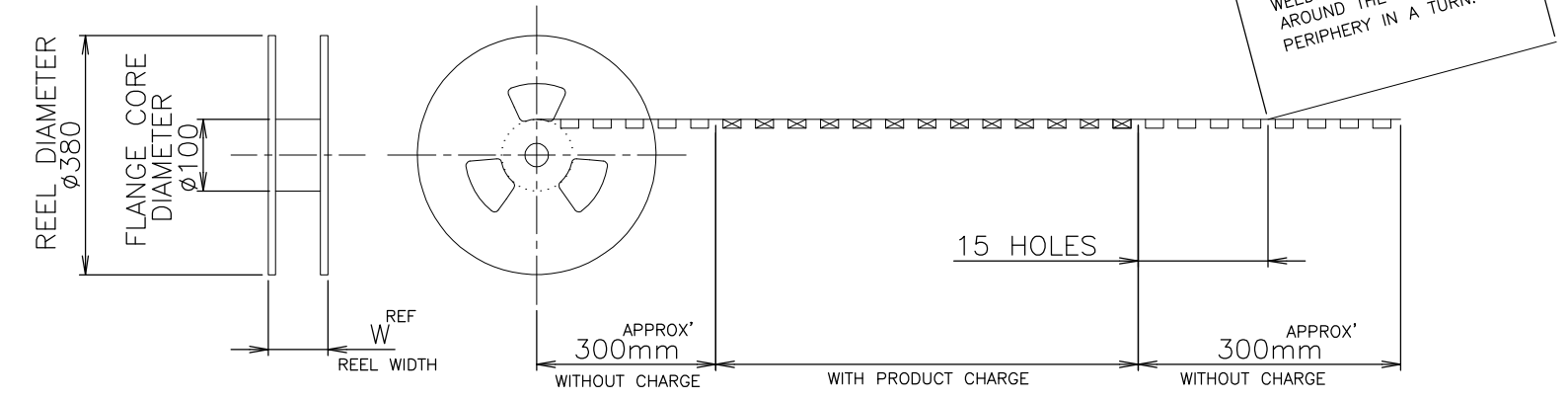
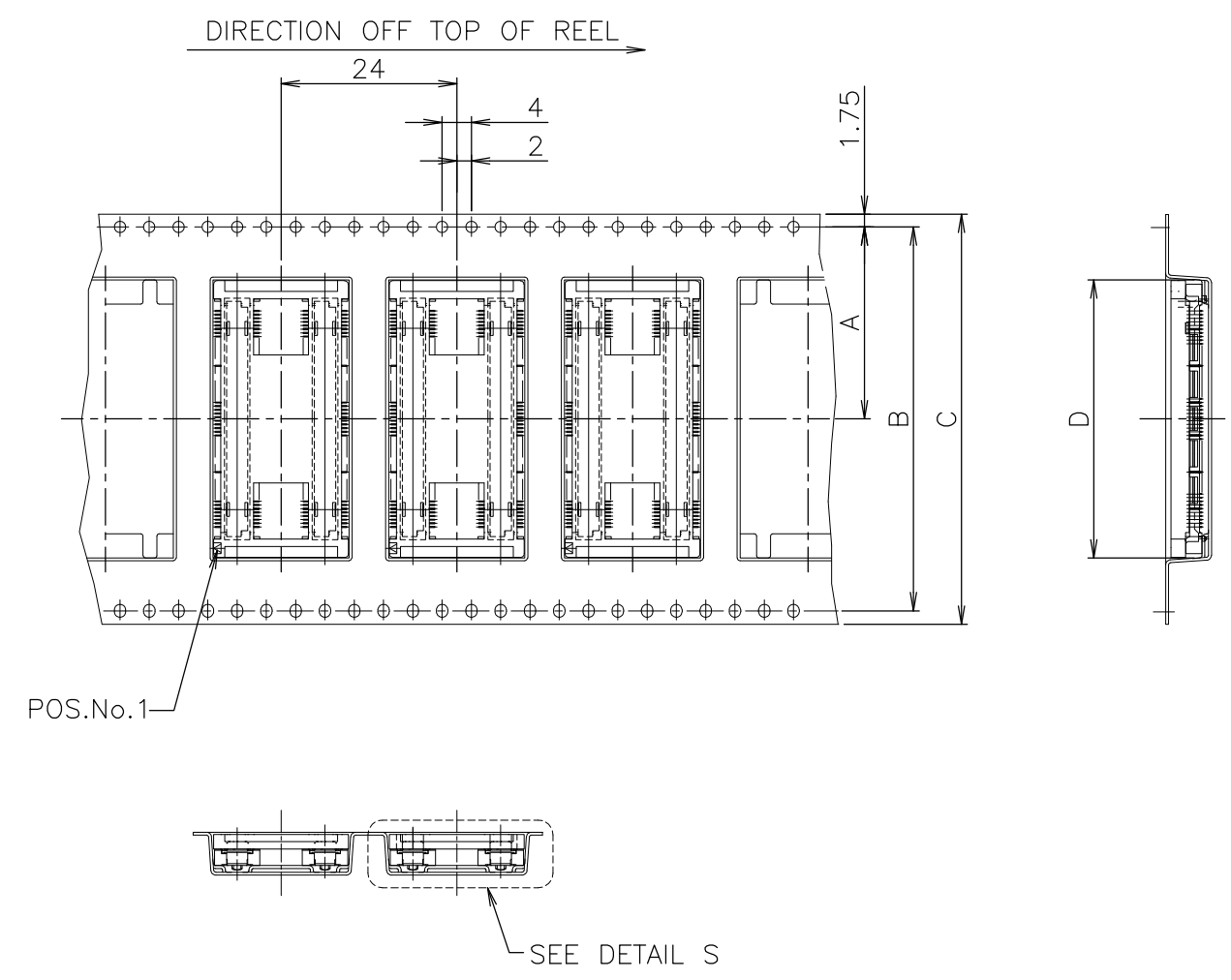


THIS DRAWING IS UNPUBLISHED. RELEASED FOR PUBLICATION MAR , 1999.  
 © COPYRIGHT 1999 By - ALL RIGHTS RESERVED.

P	LTR	DESCRIPTION	DATE	DWN	APVD
	A1	RELEASED PER ECR-14-011006	17MAR2015	I.T	W.H
	B	REVISED PER ECO-16-014598	24NOV16	B.J	S.Y



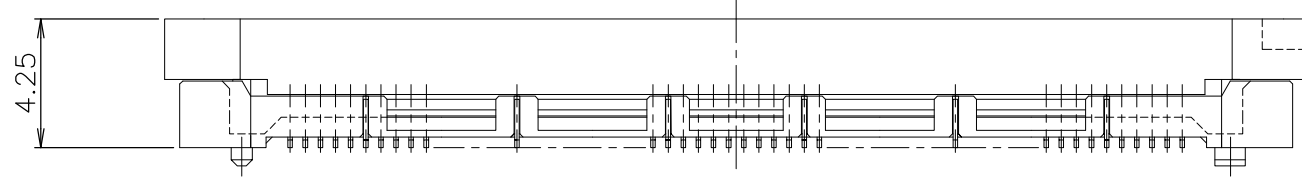
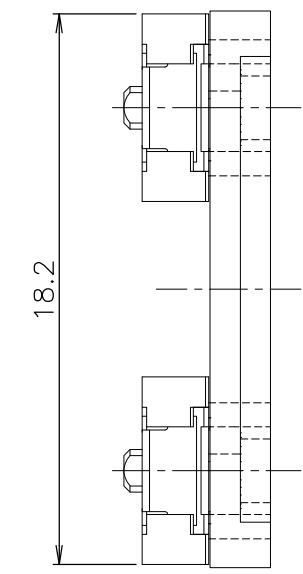
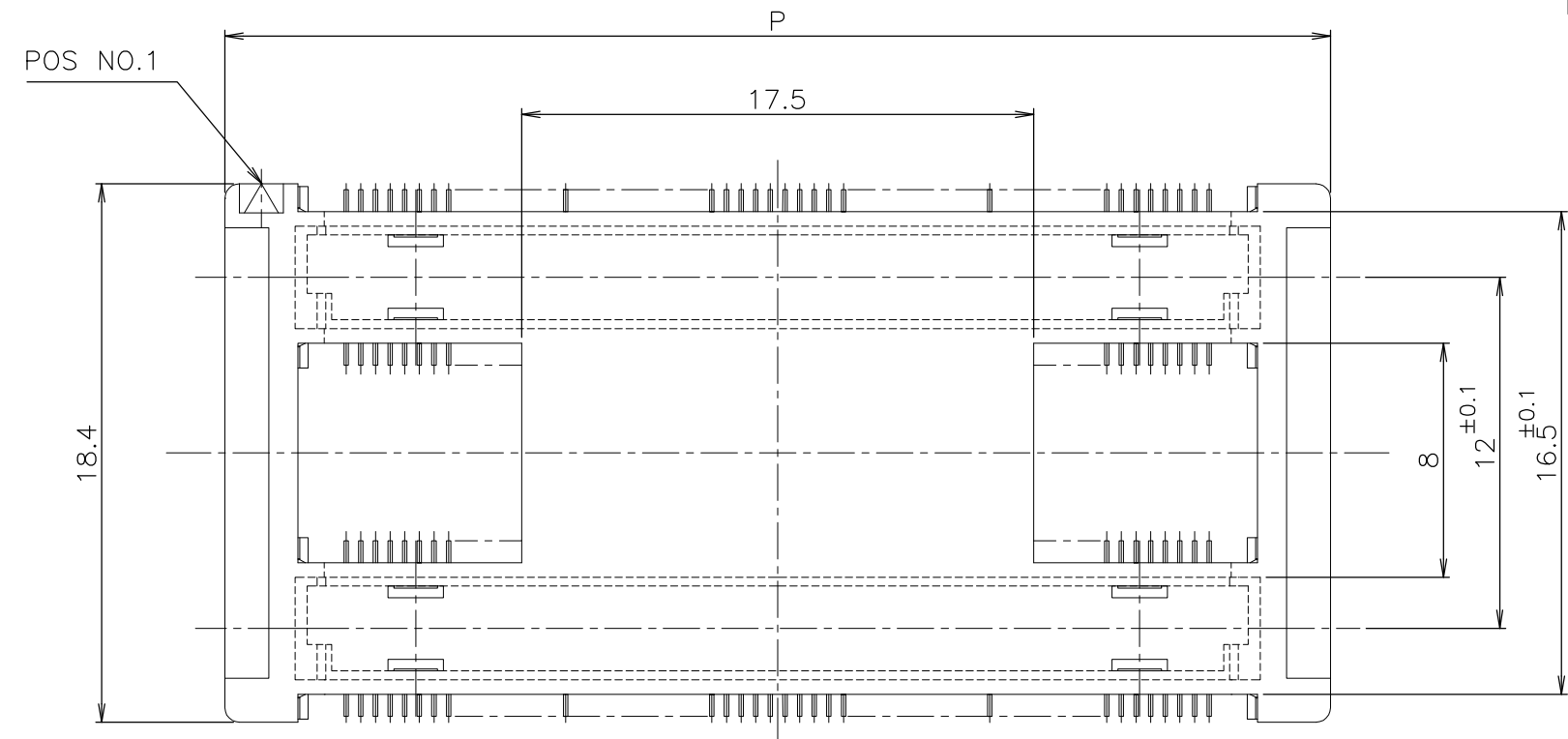
DETAIL S  
(SCALE 4:1)

COLOR:NATURAL CONNECTOR +BLACK CAP		SIF	Y	600	64.5	37.93	56	52.4	26.2	120X2=240	9-6123675-9
HSG COLOR: BLACK	SIF COATING	N				42.93				140X2=280	
		Y			64.5	37.93	56	52.4	26.2	120X2=240	7-6123675-9
	NON SIF	N		600	52.5	32.93	44	40.4	20.2	100X2=200	
		Y				64.5	37.93	56	52.4	26.2	120X2=240
HSG COLOR: NATURAL	SIF COATING	N				42.93				140X2=280	
		N			64.5	37.93	56	52.4	26.2	120X2=240	5-6123675-9
	NON SIF	N		600	52.5	32.93	44	40.4	20.2	100X2=200	
		Y				64.5	37.93	56	52.4	26.2	120X2=240
		N		600	52.5	32.93	44	40.4	20.2	100X2=200	
	TOOLING	QTY	W	D	C	B	A	2ROW TOTAL POS.		PART NO.	

THIS DRAWING IS A CONTROLLED DOCUMENT.		DWN D.LIU 120CT05	TE Connectivity			
DIMENSIONS: MM		CHK T.FUTATSUGI 120CT05				
TOLERANCES UNLESS OTHERWISE SPECIFIED:		APVD W.KODAMA 120CT05	NAME			
0 PLC ± 0.3 1 PLC ± 0.3 2 PLC ± 0.3 3 PLC ± 0.3 4 PLC ± 0.3 ANGLES ± 3°		PRODUCT SPEC 108-5560	EMBOSS ASSY FH 0.5BTB CONNECTOR REC 4H W/ G-CONT. AND 2 ROW CAP			
MATERIAL		APPLIC. SPEC	SIZE	CAGE CODE	DRAWING NO	RESTRICTED TO
FINISH		WEIGHT	A3	00779	C-6123675	
CUSTOMER DRAWING			SCALE	SHEET	REV	
			1:2	1 OF 5	B	

THIS DRAWING IS UNPUBLISHED.      RELEASED FOR PUBLICATION      MAR , 1999.  
 © COPYRIGHT 1999 By -      ALL RIGHTS RESERVED.

REVISIONS					
P	LTR	DESCRIPTION	DATE	DWN	APVD
-	-	SEE SHEET 1	-	-	-



**NOTES**

- ① MATERIAL ; HOUSING : HIGH TEMP THERMO PLASTIC UL94V-0  
CONTACT : COPPER ALLOY
- ② FINISH ; MEETS THE PERFORMANCE REQUIREMENTS  
OF PRODUCT SPECIFICATION 108-5560  
SOLDER PEG : TIN OVER Ni
- ③ THIS POSITION IS GROUND CIRCUIT.
- ④ THIS PRODUCT WAS COATED BY ANTI- FLUX  
-PENETRATION AGENT.
- ⑤ NO. OF CIRCUIT (DEPEND ON CONNECTOR POS).

42.8	140X2=280
37.8	120X2=240
32.8	100X2=200
P	2 ROW TOTAL POS

THIS DRAWING IS A CONTROLLED DOCUMENT.		DWN		TE Connectivity NAME EMBOSS ASSY FH 0.5BTB CONNECTOR REC 4H W/ G-CONT. AND 2 ROW CAP	
DIMENSIONS: MM		CHK			
TOLERANCES UNLESS OTHERWISE SPECIFIED: 0 PLC ± - 1 PLC ± - 2 PLC ± - 3 PLC ± - 4 PLC ± - ANGLES ± - FINISH		APVD			
MATERIAL		PRODUCT SPEC			
		APPLICATION SPEC		SIZE	RESTRICTED TO
		WEIGHT		A3	
		CUSTOMER DRAWING		CAGE CODE	DRAWING NO
				00779	C-6123675
		SCALE		SHEET	REV
		4:1		2 OF 5	B

4

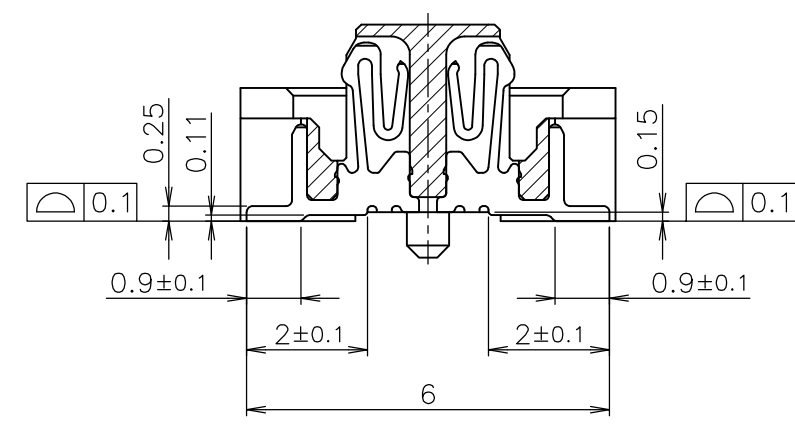
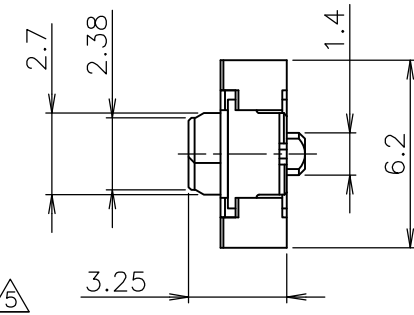
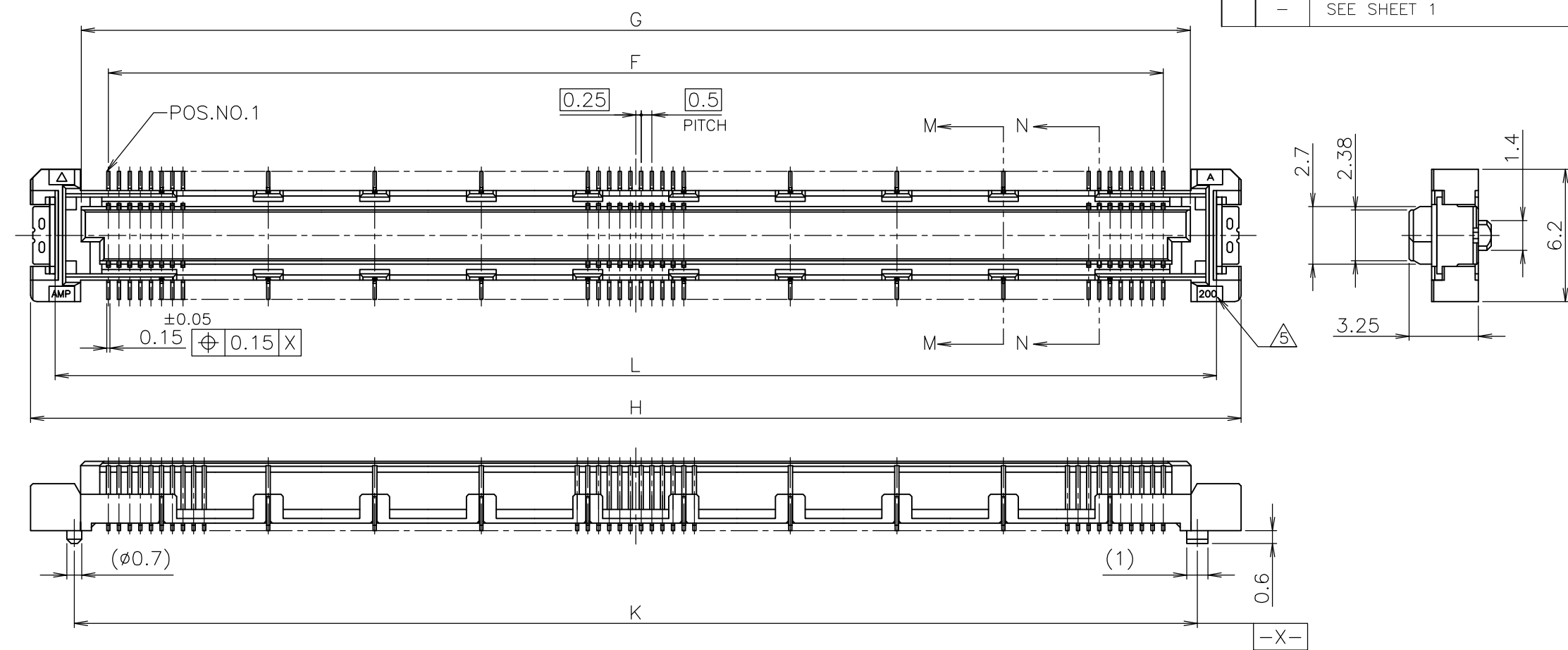
3

2

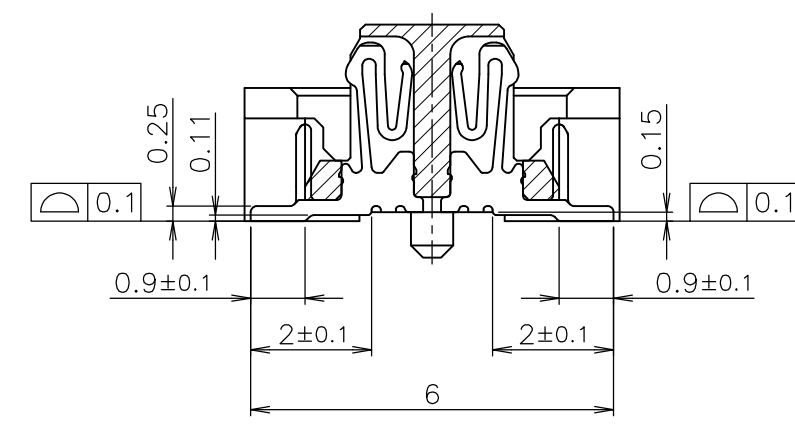
1

THIS DRAWING IS UNPUBLISHED. RELEASED FOR PUBLICATION MAR , 1999. ALL RIGHTS RESERVED.

P	LTR	DESCRIPTION	DATE	DWN	APVD
-	-	SEE SHEET 1	-	-	-



SECT. M-M  
(GRAND POSITION)  
(SCALE 8:1)



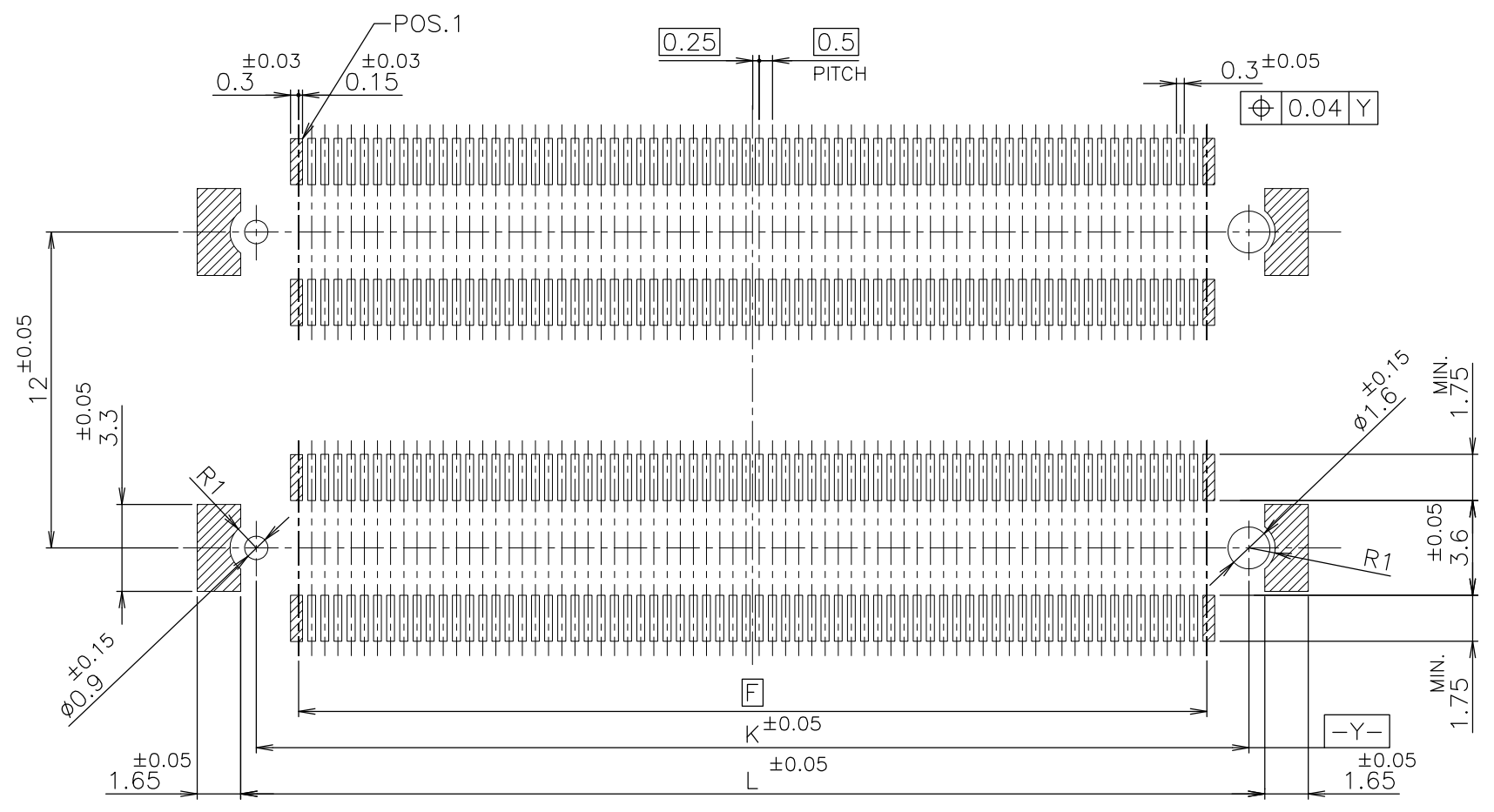
SECT. N-N  
(SIGNAL POSITION)  
(SCALE 8:1)

39.5	37.7	41.8	37.1	34.5	140
34.5	32.7	36.8	32.1	29.5	120
29.5	27.7	31.8	27.1	24.5	100
L	K	H	G	F	POS.


THIS DRAWING IS A CONTROLLED DOCUMENT.		DWN		TE Connectivity			
DIMENSIONS: MM		CHK				NAME	
TOLERANCES UNLESS OTHERWISE SPECIFIED: 0 PLC ± - 1 PLC ± - 2 PLC ± - 3 PLC ± - 4 PLC ± - ANGLES ± - FINISH ± -		APVD				EMBOSS ASSY	
MATERIAL		PRODUCT SPEC				FH 0.5BTB CONNECTOR REC 4H W/ G-CONT. AND 2 ROW CAP	
		APPLICATION SPEC		SIZE	CAGE CODE	DRAWING NO	RESTRICTED TO
		WEIGHT		A3	00779	C-6123675	
CUSTOMER DRAWING				SCALE	SHEET	REV	
				4:1	3 OF 5	B	

THIS DRAWING IS UNPUBLISHED. RELEASED FOR PUBLICATION MAR , 1999.  
 © COPYRIGHT 1999 By - ALL RIGHTS RESERVED.

REVISIONS					
P	LTR	DESCRIPTION	DATE	DWN	APVD
-	-	SEE SHEET 1	-	-	-

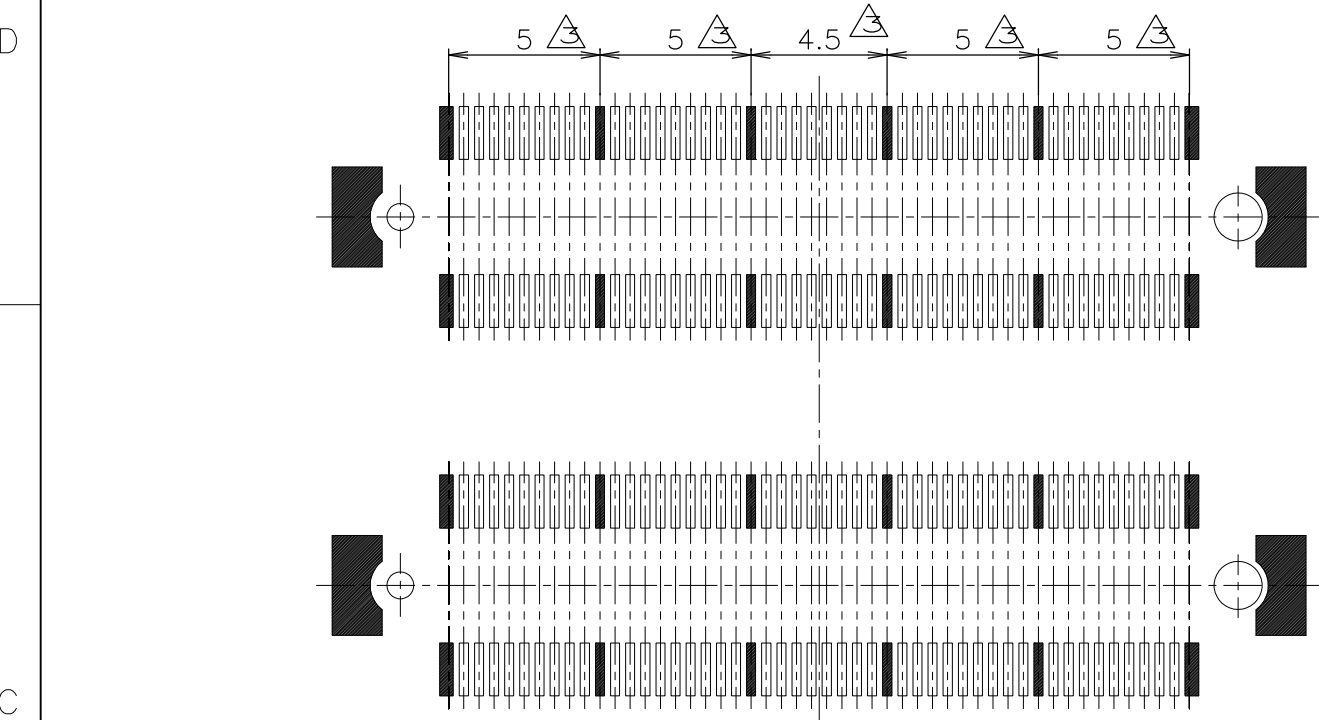


RECOMMENDED P.C. BOARD LAYOUT

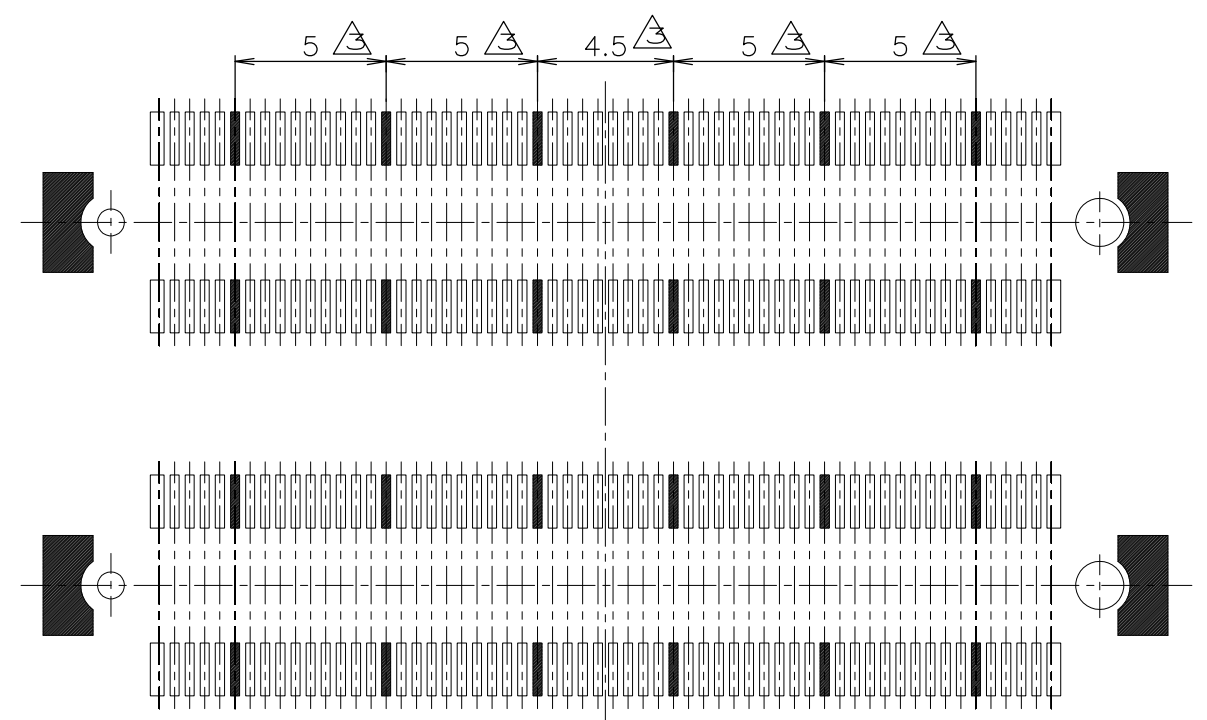
THIS DRAWING IS A CONTROLLED DOCUMENT.		DWN	 TE Connectivity			
DIMENSIONS: MM		CHK				
TOLERANCES UNLESS OTHERWISE SPECIFIED: 0 PLC ± - 1 PLC ± - 2 PLC ± - 3 PLC ± - 4 PLC ± - ANGLES ± - FINISH		APVD	NAME			
MATERIAL		PRODUCT SPEC	EMBOSS ASSY			
		APPLICATION SPEC	FH 0.5BTB CONNECTOR REC 4H			
		WEIGHT	W/ G-CONT. AND 2 ROW CAP			
		CUSTOMER DRAWING	SIZE	CAGE CODE	DRAWING NO	RESTRICTED TO
			A3	00779	C-6123675	
			SCALE	SHEET	REV	
			4:1	4 OF 5	B	

THIS DRAWING IS UNPUBLISHED. RELEASED FOR PUBLICATION MAR , 1999.  
 © COPYRIGHT 1999 By - ALL RIGHTS RESERVED.

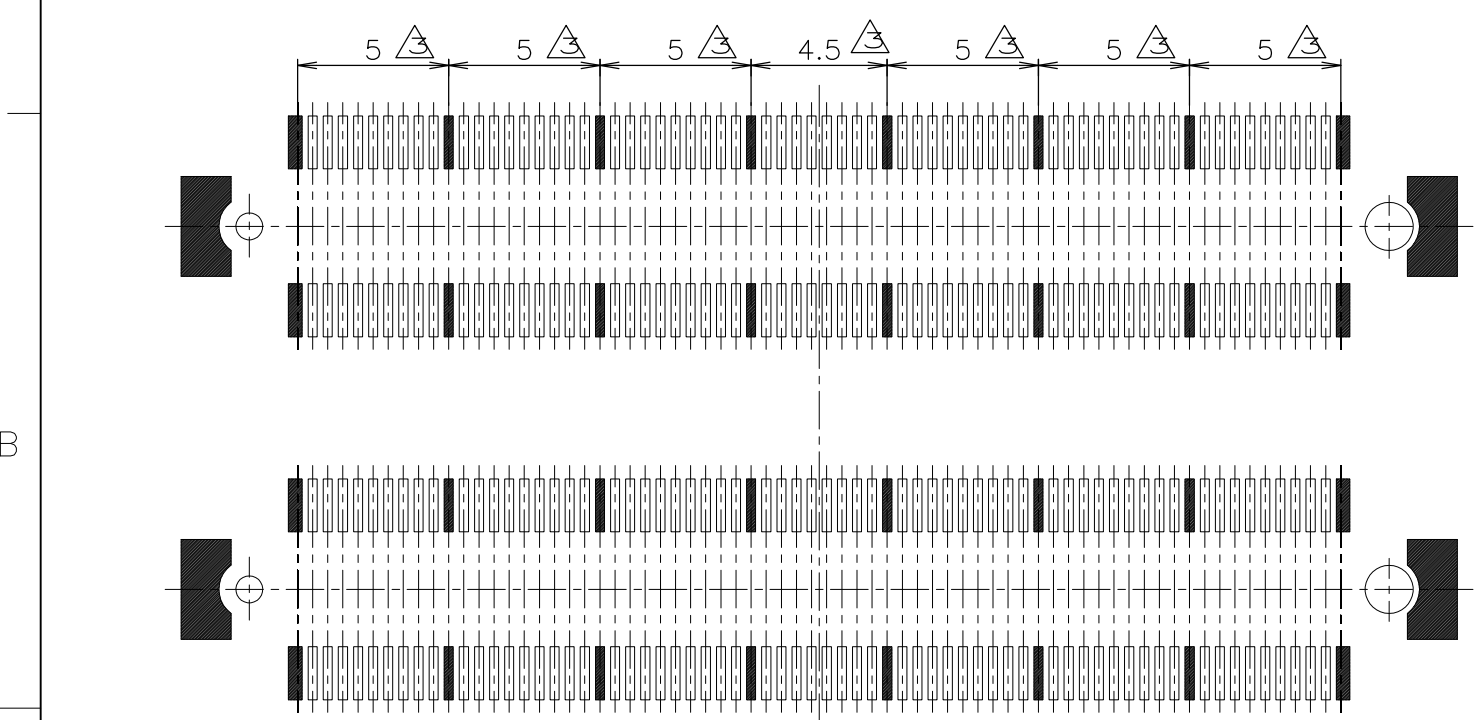
REVISIONS					
P	LTR	DESCRIPTION	DATE	DWN	APVD
-	-	SEE SHEET 1	-	-	-



200P



240P



280P

THIS DRAWING IS A CONTROLLED DOCUMENT.		DWN	TE Connectivity NAME EMBOSS ASSY FH 0.5BTB CONNECTOR REC 4H W/ G-CONT. AND 2 ROW CAP				
DIMENSIONS: MM		CHK					
		APVD					
TOLERANCES UNLESS OTHERWISE SPECIFIED: 0 PLC ± - 1 PLC ± - 2 PLC ± - 3 PLC ± - 4 PLC ± - ANGLES ± - FINISH		PRODUCT SPEC					
MATERIAL		APVD	APPLICATION SPEC	SIZE	CAGE CODE	DRAWING NO	RESTRICTED TO
		WEIGHT	A3		00779	C-6123675	
CUSTOMER DRAWING			SCALE	4:1	SHEET	5 OF 5	REV B