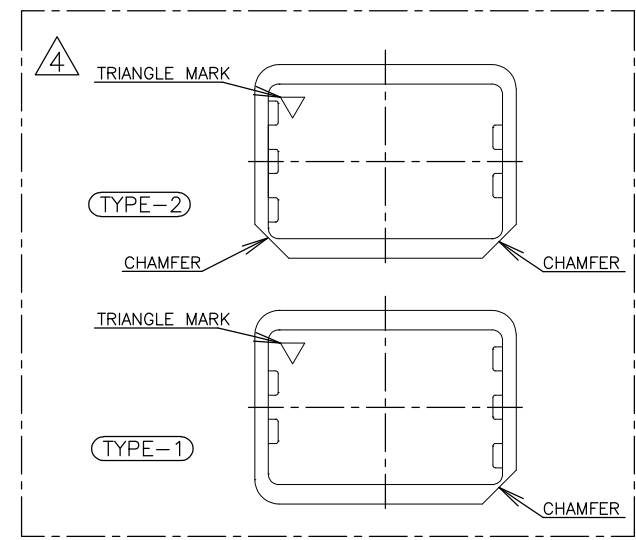
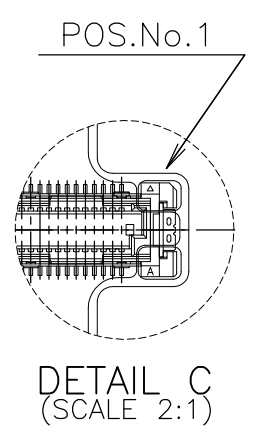
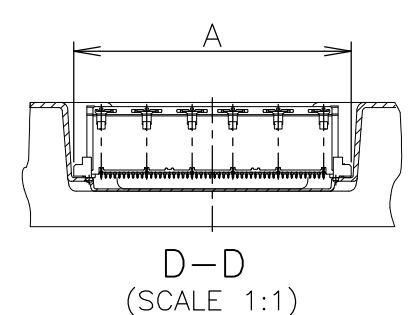
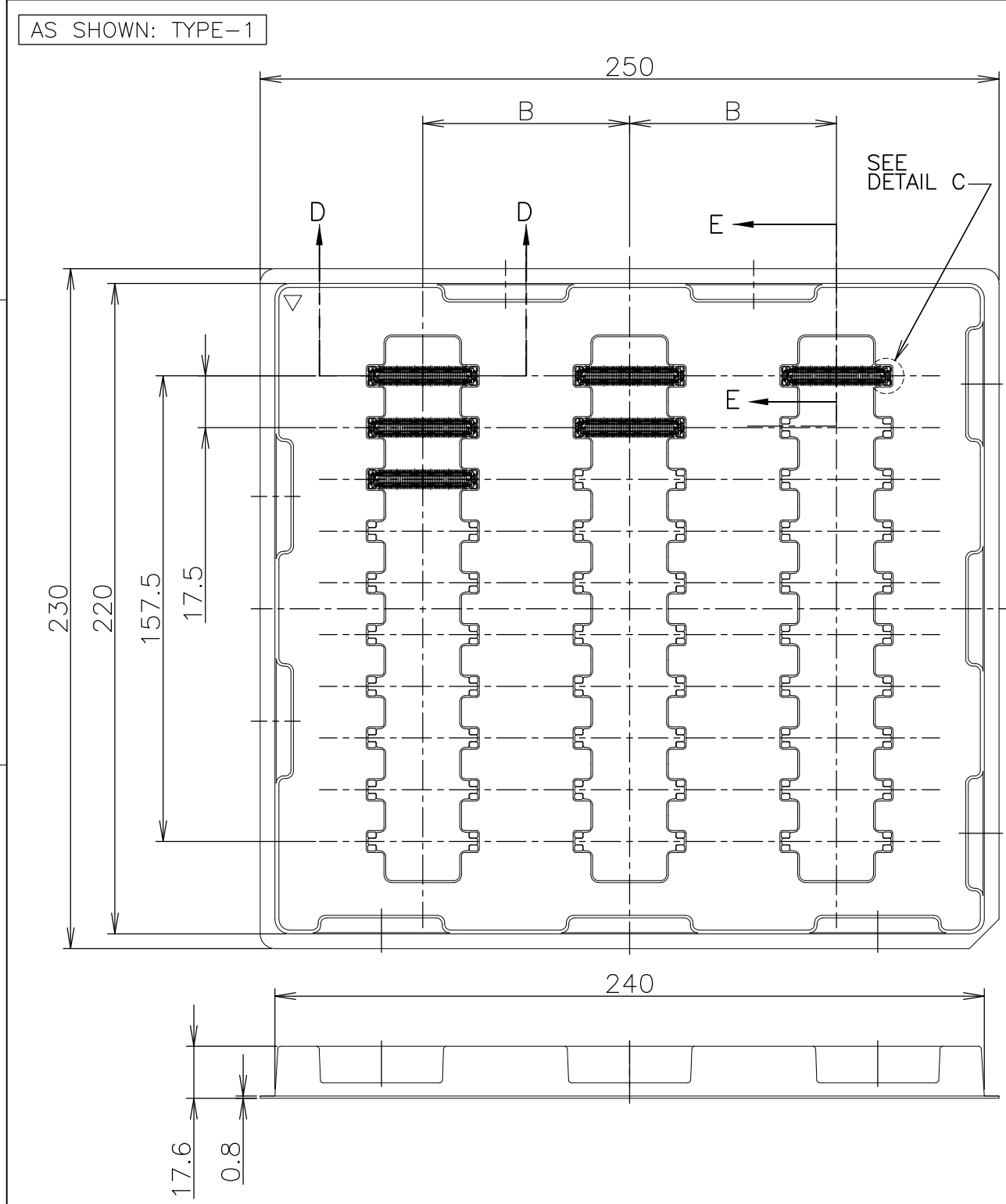
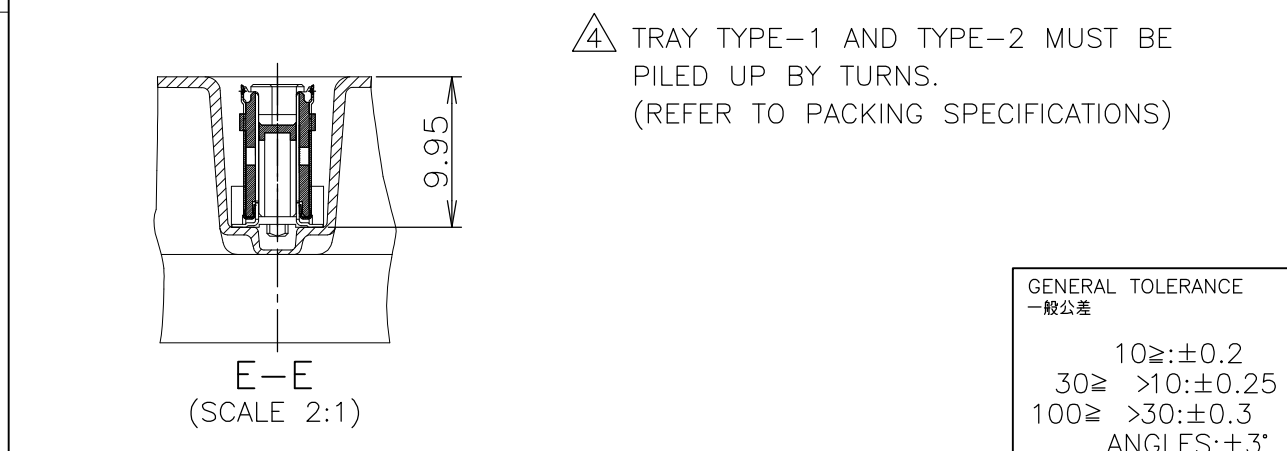


LOC	DIST	REVISIONS					
J		P	LTR	DESCRIPTION	DATE	DWN	APVD
		A1	REVISED	ECR-15-012060	14SEP2015	I.T	W.H



SEALANT	TOOLING STATUS	ROW	QTY	B	A	POS.	TRAY P/N	PART NO.
NOT AVAILABLE		3	30	70	54.7	160	3-912072-4	6-6123582-1
AVAILABLE		↑	↑	↑	48.7	140	7-912072-2	6-↑-0
NOT AVAILABLE		↓	↓	↓	42.7	120	7-912072-1	5-↓-9
↑		↓	↓	↓	36.7	100	7-912072-0	5-↓-8
↓		3	30	70	33.7	90	6-912072-9	5-↓-7
↓		5	50	43	30.7	80	6-912072-8	5-↓-6
↓		↑	↑	↑	27.7	70	6-912072-7	5-↓-5
NOT AVAILABLE		↓	↓	↓	24.7	60	6-912072-6	5-↓-4
AVAILABLE		↑	↑	↑	21.7	50	6-912072-5	5-↓-3
NOT AVAILABLE		↓	↓	↓	18.7	40	6-912072-4	5-↓-2
NOT AVAILABLE		5	50	43	15.7	30	6-912072-3	5-6123582-1
↑		3	30	70	54.7	160	3-912072-4	1-6123582-1
↑		↑	↑	↑	48.7	140	7-912072-2	1-↑-0
↑		↓	↓	↓	42.7	120	7-912072-1	↑-↓-9
↑		↓	↓	↓	36.7	100	7-912072-0	↑-↓-8
↑		3	30	70	33.7	90	6-912072-9	↑-↓-7
↑		5	50	43	30.7	80	6-912072-8	↑-↓-6
↑		↑	↑	↑	27.7	70	6-912072-7	↑-↓-5
↑		↓	↓	↓	24.7	60	6-912072-6	↑-↓-4
↑		↑	↑	↑	21.7	50	6-912072-5	↑-↓-3
↑		↓	↓	↓	18.7	40	6-912072-4	↑-↓-2
↑		5	50	43	15.7	30	6-912072-3	↑-6123582-1



GENERAL TOLERANCE
一般公差

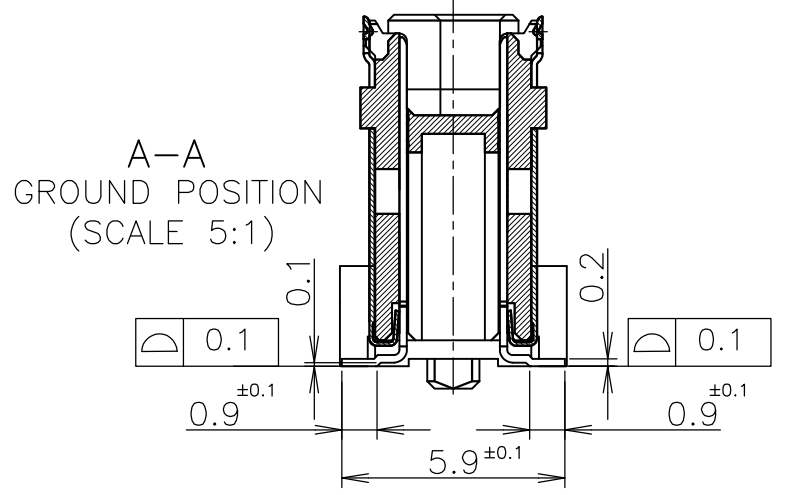
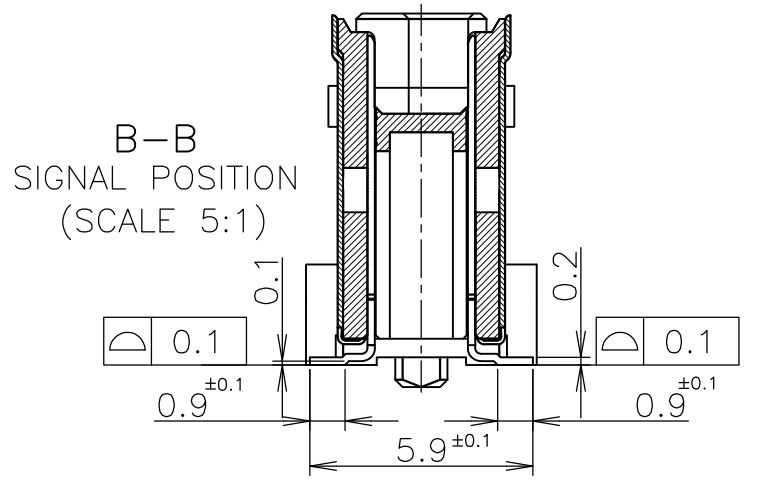
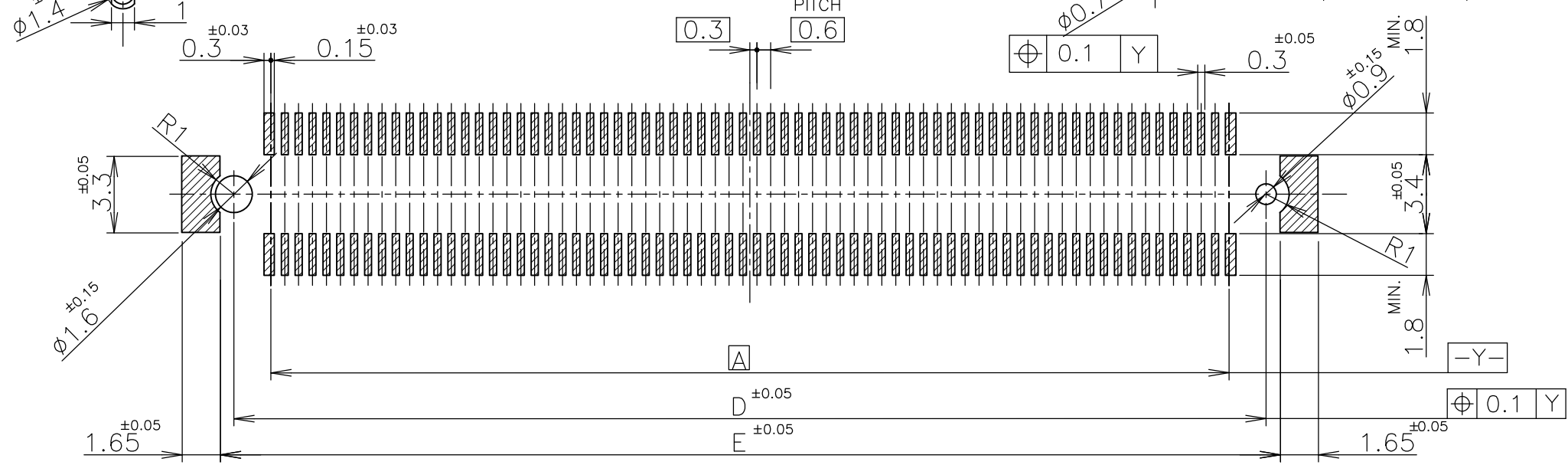
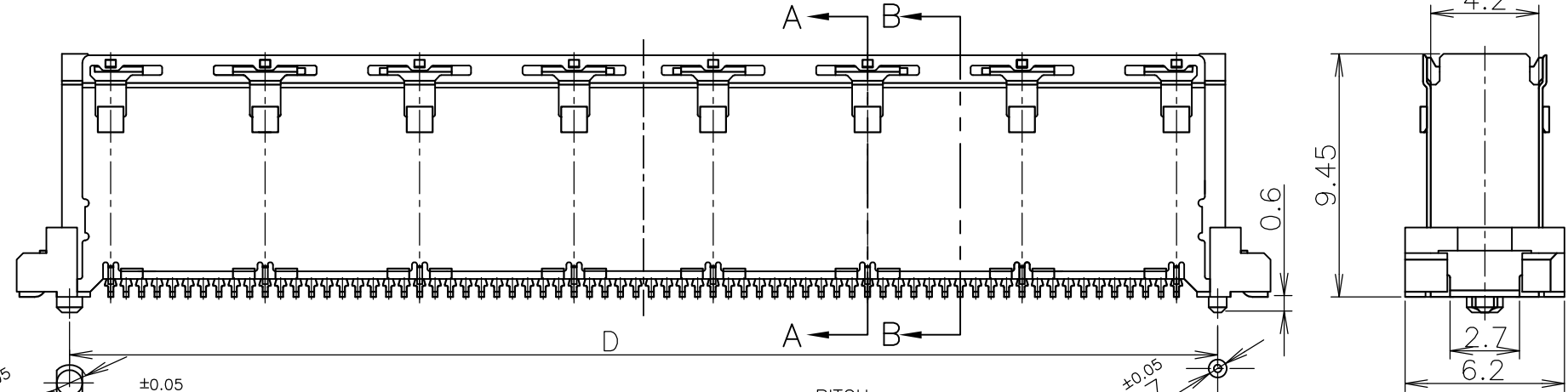
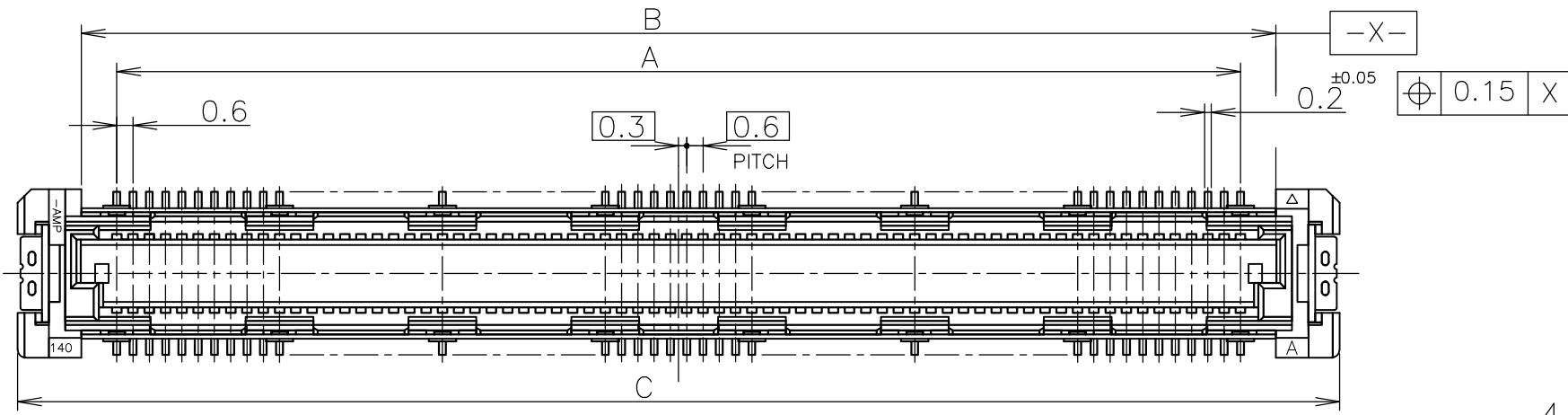
10 ≥	±0.2
30 ≥	>10: ±0.25
100 ≥	>30: ±0.3
ANGLES: ±3°	

THIS DRAWING IS A CONTROLLED DOCUMENT.

DWN HAWKING HE 13DEC04	 TE Connectivity
CHK STEVEN YAO 13DEC04	
APVD I.ENOMOTO 13DEC04	
NAME I.ENOMOTO	
PRODUCT SPEC 製品規格 108-60047	SOFT TRAY ASSY FH 0.6BTB CONNECTOR PLUG 10H W/G-PLATE
APPLICATION SPEC 取付適用規格 114-5255	SIZE A3
WEIGHT	CAGE CODE 00779
CUSTOMER DRAWING	DRAWING NO G-6123582
	RESTRICTED TO
	SCALE 尺度 1:2
	SHEET 1 OF 3
	REV A1

THIS DRAWING IS UNPUBLISHED. RELEASED FOR PUBLICATION FEB, 1998.
 © COPYRIGHT 1998 By - ALL RIGHTS RESERVED.

LOC	DIST	REVISIONS			DATE	DWN	APVD
J		P	LTR	DESCRIPTION			
		-		SEE SHEET 1	-	-	-



AVAILABLE	51.8	50.6	54.7	50	47.4	160
NOT AVAILABLE	45.8	44.6	48.7	44	41.4	140
NOT AVAILABLE	39.8	38.6	42.7	38	35.4	120
NOT AVAILABLE	33.8	32.6	36.7	32	29.4	100
NOT AVAILABLE	30.8	29.6	33.7	29	26.4	90
NOT AVAILABLE	27.8	26.6	30.7	26	23.4	80
NOT AVAILABLE	24.8	23.6	27.7	23	20.4	70
NOT AVAILABLE	21.8	20.6	24.7	20	17.4	60
NOT AVAILABLE	19.8	17.6	21.7	17	14.4	50
NOT AVAILABLE	15.8	14.6	18.7	14	11.4	40
NOT AVAILABLE	12.8	11.6	15.7	11	8.4	30
TOOLING STATUS	E	D	C	B	A	POS

REFERENCE P.C.BOARD LAYOUT

GENERAL TOLERANCE
一般公差

10 ≥	±0.2
30 ≥	>10: ±0.25
100 ≥	>30: ±0.3
ANGLES: ±3°	

THIS DRAWING IS A CONTROLLED DOCUMENT.

DIMENSIONS: 单位: 耗 mm	TOLERANCES UNLESS OTHERWISE SPECIFIED: 一般公差
0 PLC	± -
1 PLC	± -
2 PLC	± -
3 PLC	± -
4 PLC	± -
ANGLES	± -
FINISH 仕上	△

DWN	
CHK	
APVD	
PRODUCT SPEC 製品規格	
APPLICATION SPEC 取付適用規格	
WEIGHT	
CUSTOMER DRAWING	

STE TE Connectivity

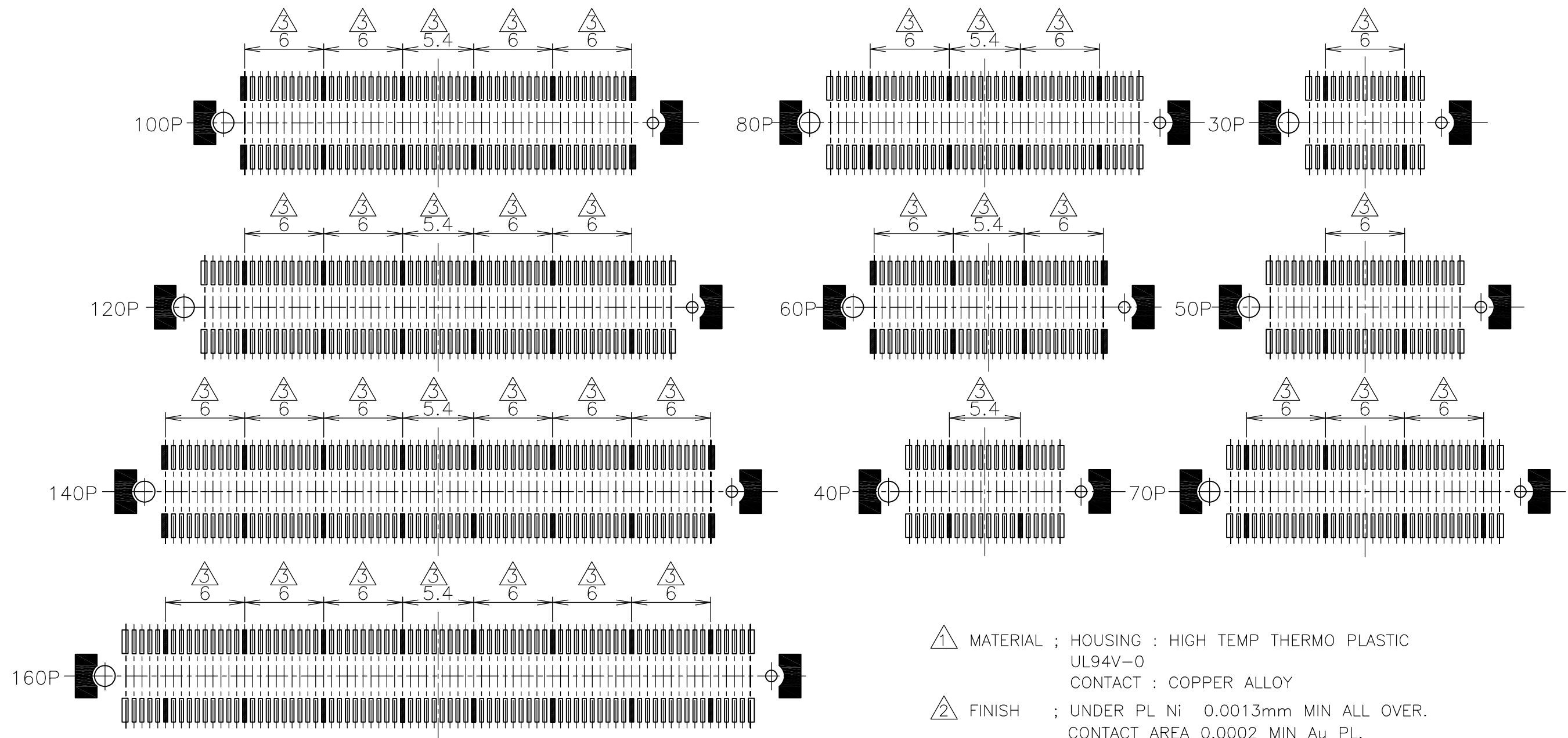
NAME 名称: SOFT TRAY ASSY
FH 0.6BTB CONNECTOR
PLUG 10H W/G-PLATE

SIZE	CAGE CODE	DRAWING NO 番号	RESTRICTED TO
A3	00779	G-6123582	

SCALE 尺度: 4:1 SHEET 2 OF 3 REV A1

THIS DRAWING IS UNPUBLISHED. RELEASED FOR PUBLICATION FEB , 1998.
 ALL RIGHTS RESERVED.

LOC J	DIST	REVISIONS 変更			DATE	DWN	APVD
P	LTR	DESCRIPTION					
	-	SEE SHEET 1		-	-	-	



- ① MATERIAL ; HOUSING : HIGH TEMP THERMO PLASTIC
UL94V-0
CONTACT : COPPER ALLOY
- ② FINISH ; UNDER PL Ni 0.0013mm MIN ALL OVER.
CONTACT AREA 0.0002 MIN Au PL.
SOLDERING AREA 0.001 MIN TIN PL.
- ③ THIS POSITION IS GROUND CIRCUIT.

GENERAL TOLERANCE
一般公差

10 ≥ : ±0.2
 30 ≥ : >10: ±0.25
 100 ≥ : >30: ±0.3
 ANGLES: ±3°

THIS DRAWING IS A CONTROLLED DOCUMENT.		DWN	TE Connectivity			
DIMENSIONS: 単位: 耗 mm		CHK				
TOLERANCES UNLESS OTHERWISE SPECIFIED: 一般公差		APVD	NAME 名称			
0 PLC ± - 1 PLC ± - 2 PLC ± - 3 PLC ± - 4 PLC ± - ANGLES ± -		PRODUCT SPEC 製品規格	SOFT TRAY ASSY FH 0.6BTB CONNECTOR PLUG 10H W/G-PLATE			
MATERIAL 材料		APPLICATION SPEC 取付適用規格	SIZE	CAGE CODE	DRAWING NO 番号	RESTRICTED TO
FINISH 仕上		WEIGHT	A3	00779	G-6123582	
CUSTOMER DRAWING			SCALE 尺度	SHEET	REV	
			3:1	3 OF 3	A1	