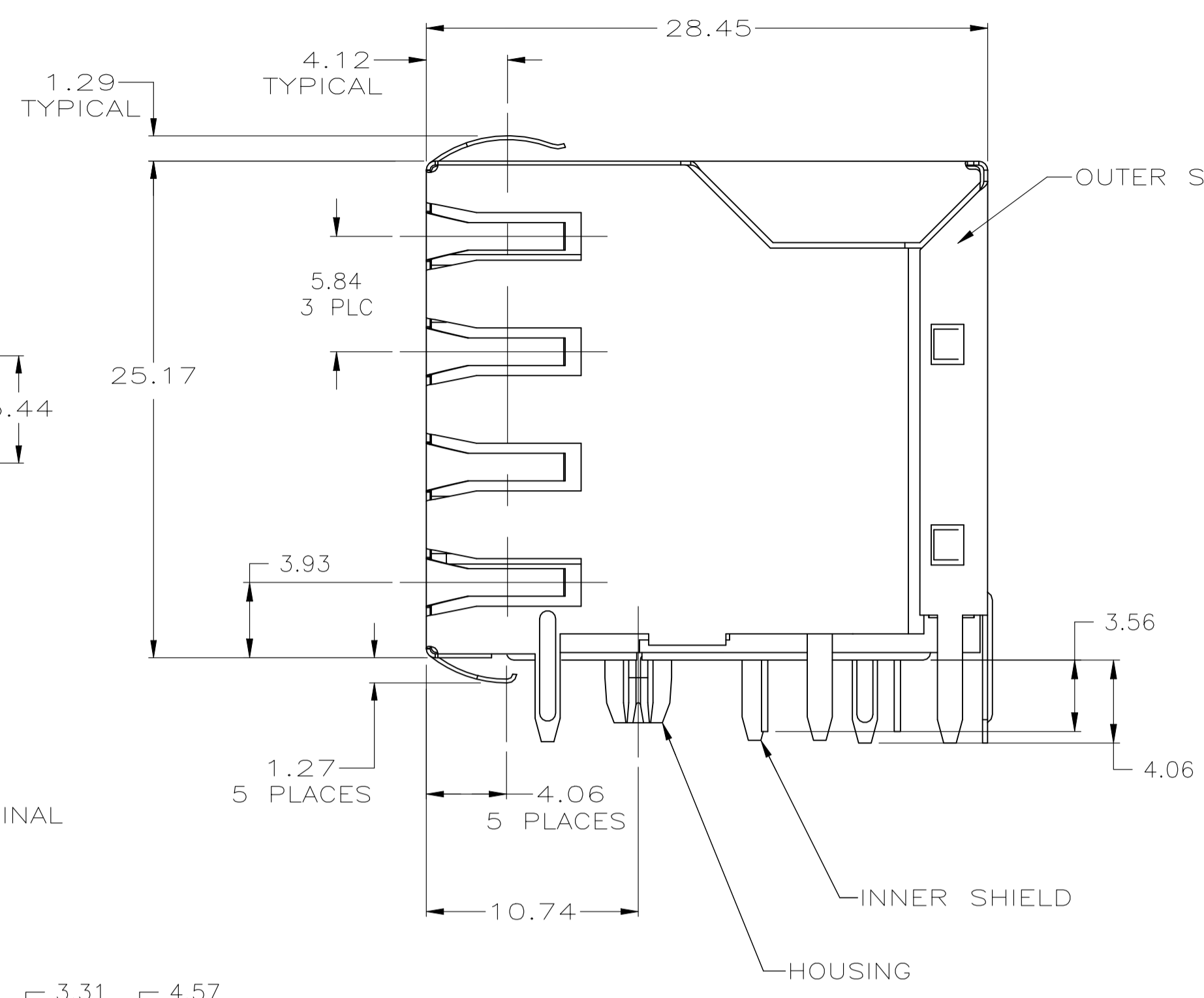
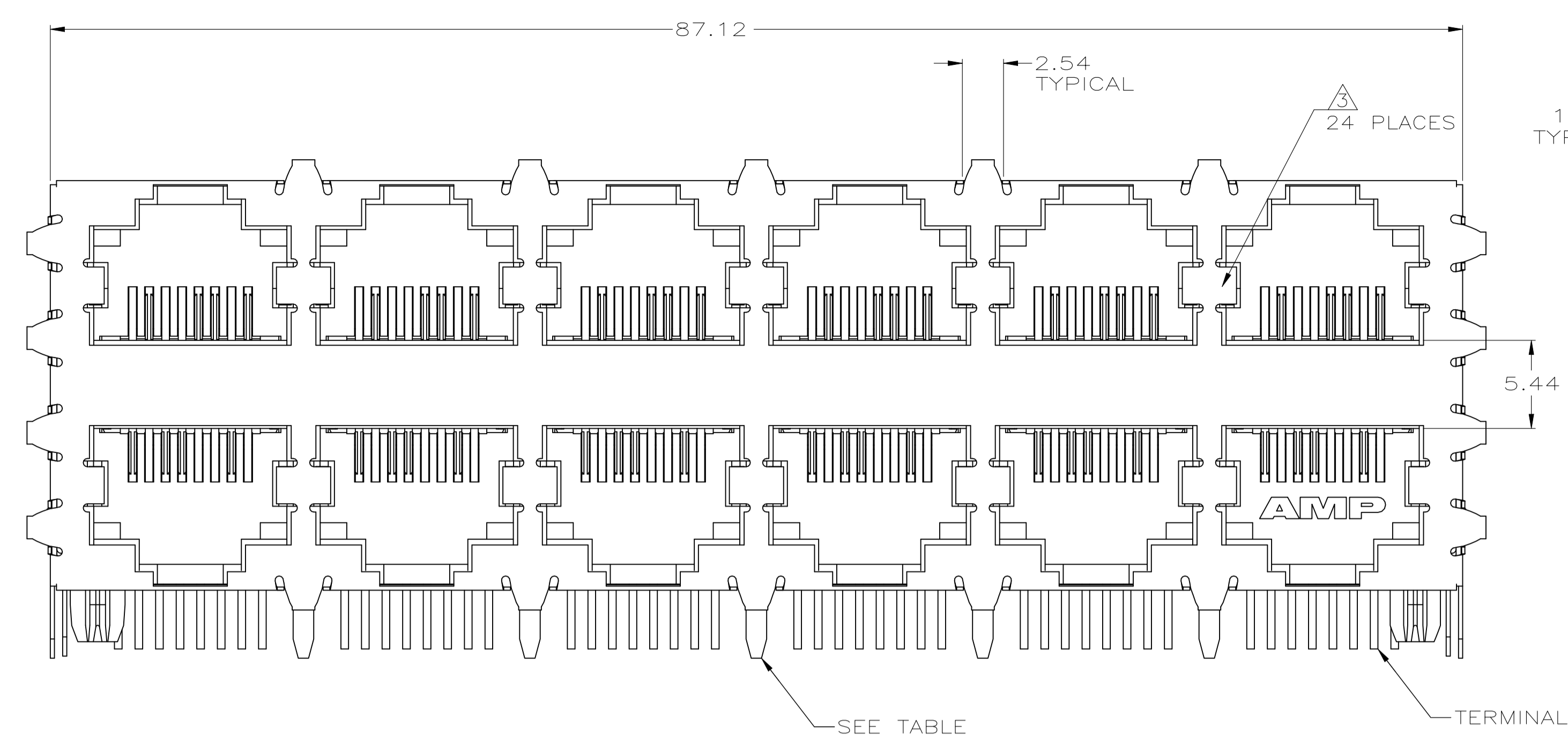
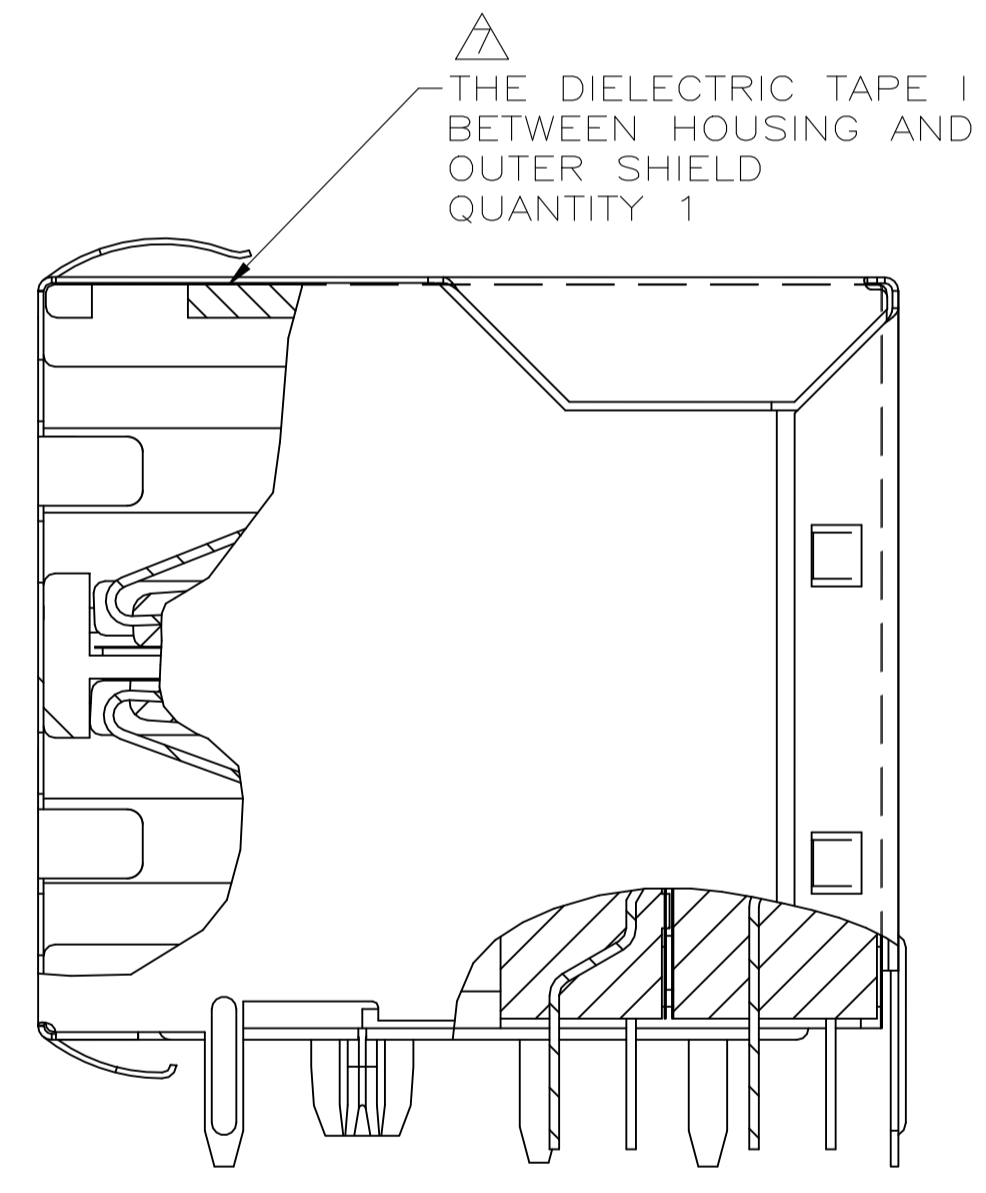
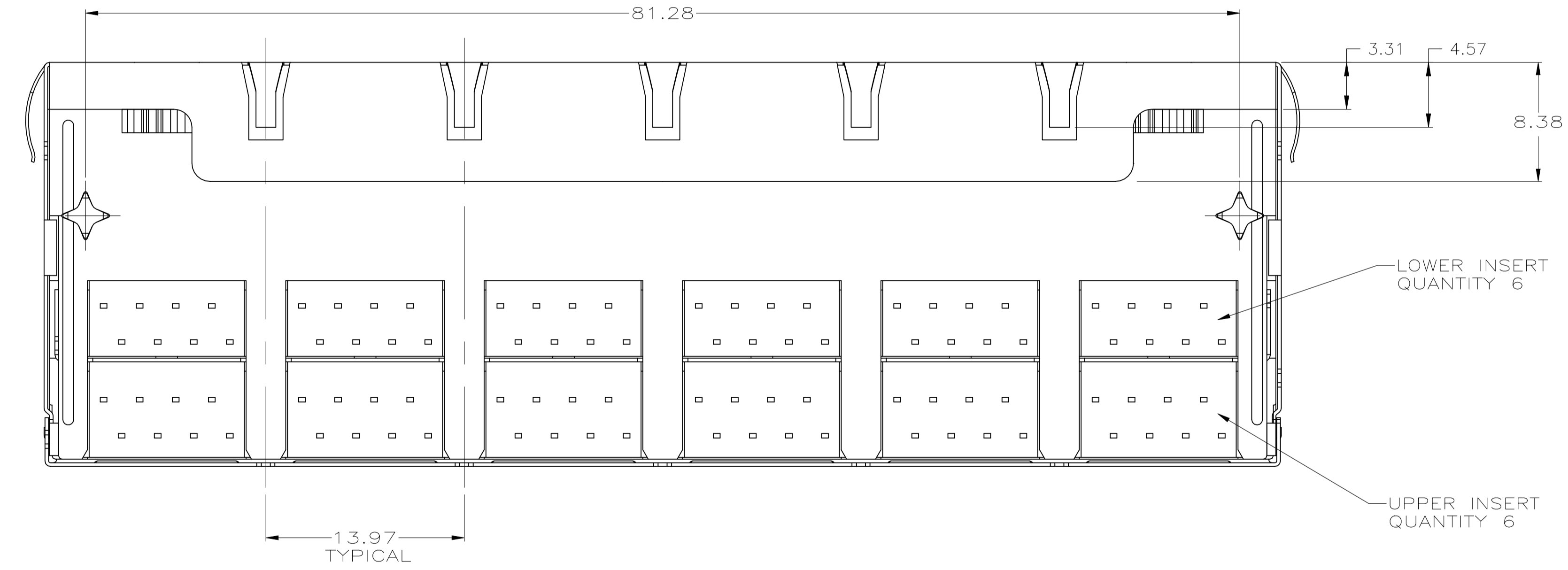


REVISIONS				
P	LTR	DESCRIPTION	DATE	APP'D
D1		REVISED AS PER ECR-23-169440	19APR2023	JK WH

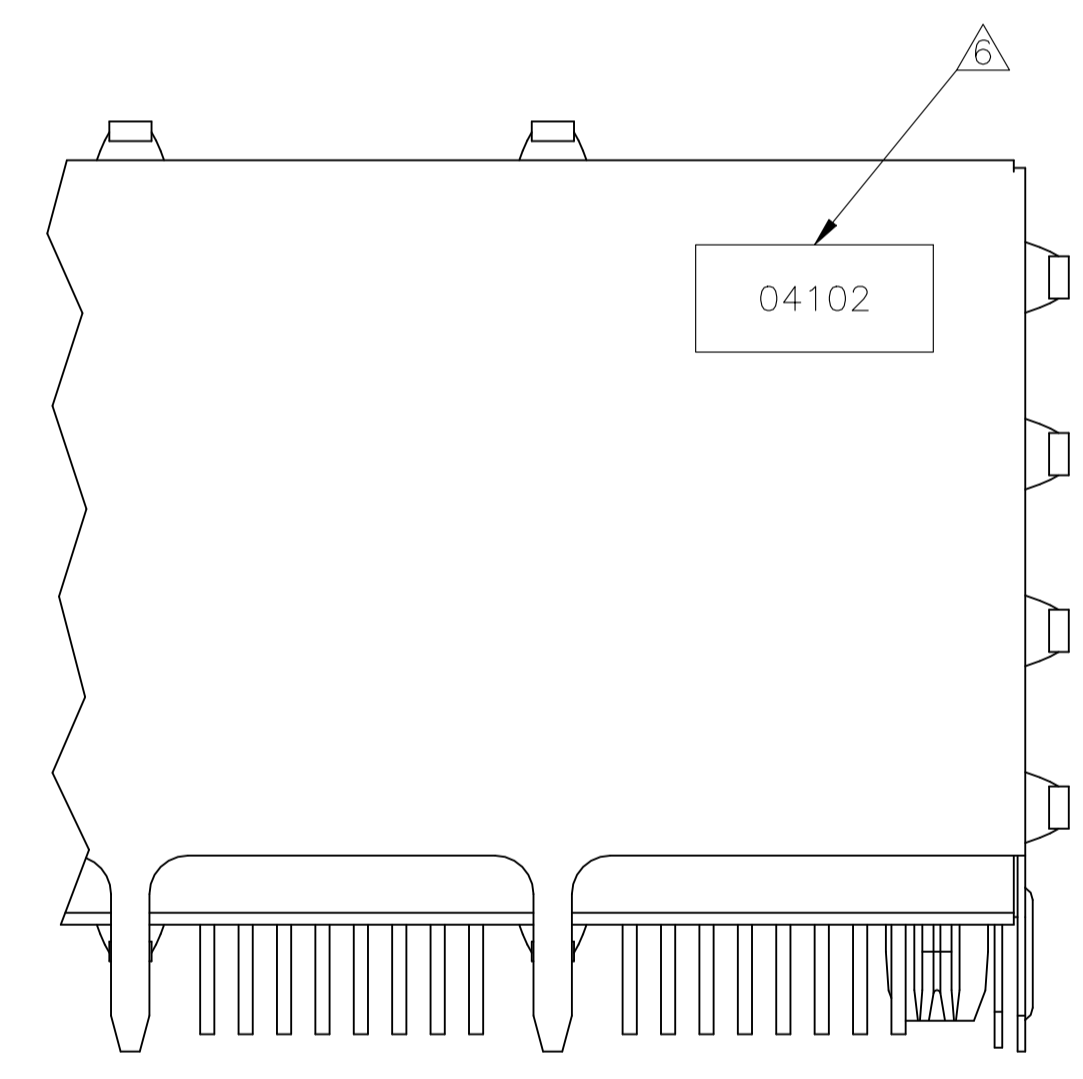


- ⚠ MATERIAL: HOUSING - HIGH TEMPERATURE THERMOPLASTIC, BLACK, UL 94V-0. OVERMOLDED TERMINAL ARRAY - PBT, BROWN. TERMINALS - 0.33 [.013] THICK PHOSPHOR BRONZE PLATED WITH 1.27μm [.000050] MIN THICK HARD GOLD IN LOCALIZED AREA AND 3.81μm [.000150] MIN THICK MATTE TIN IN SOLDER AREA OVER 1.27μm [.000050] MIN THICK NICKEL UNDERPLATE. OUTER SHIELD AND INNER SHIELD: 0.196 [.0077] THICK COPPER ALLOY PLATED 1.27μm [.000050] MIN NICKEL, PCB GROUND TABS DIPPED WITH 2.03μm [.000080] MIN TIN.
- ⚠ JACK CAVITY CONFORMS TO FCC RULES AND REGULATIONS, PART 68 SUBPART F.
- ⚠ INNER SHIELD TABS FINAL FORMED AND SIZED BY MATING WITH MODULAR PLUGS TO REDUCE INITIAL MATING INSERTION FORCE. APPLIES TO PN 6116000-1 & -4 ONLY.
- ⚠ USE #30 DRILL BIT OR 3.25mm DRILL BIT WHEN PRODUCING THESE PCB HOLES.
- 5. ALL DIMENSIONS NOMINAL UNLESS OTHERWISE SPECIFIED.
- ⚠ DATE CODE LOCATED ON REAR OF PART APPROX AS SHOWN: FIRST 2 DIGITS ARE LAST 2 DIGITS OF YEAR, SECOND 2 DIGITS ARE MANUFACTURING WORK WEEK, LAST DIGIT IS DAY OF WEEK, WITH SUNDAY=1.
- ⚠ THE DIELECTRIC TAPES ARE ONLY FOR PN 6116000-4.
- ⚠ THE PN 6116000-4 IS PRELIMINARY.
- ⚠ DIELECTRIC WITHSTANDING VOLTAGE: 2250 VDC BETWEEN CONTACT AND SHIELD.
- ⚠ WITH IMPROVED CONTACT, REDUCING CONFLICTS WITH PLUG.

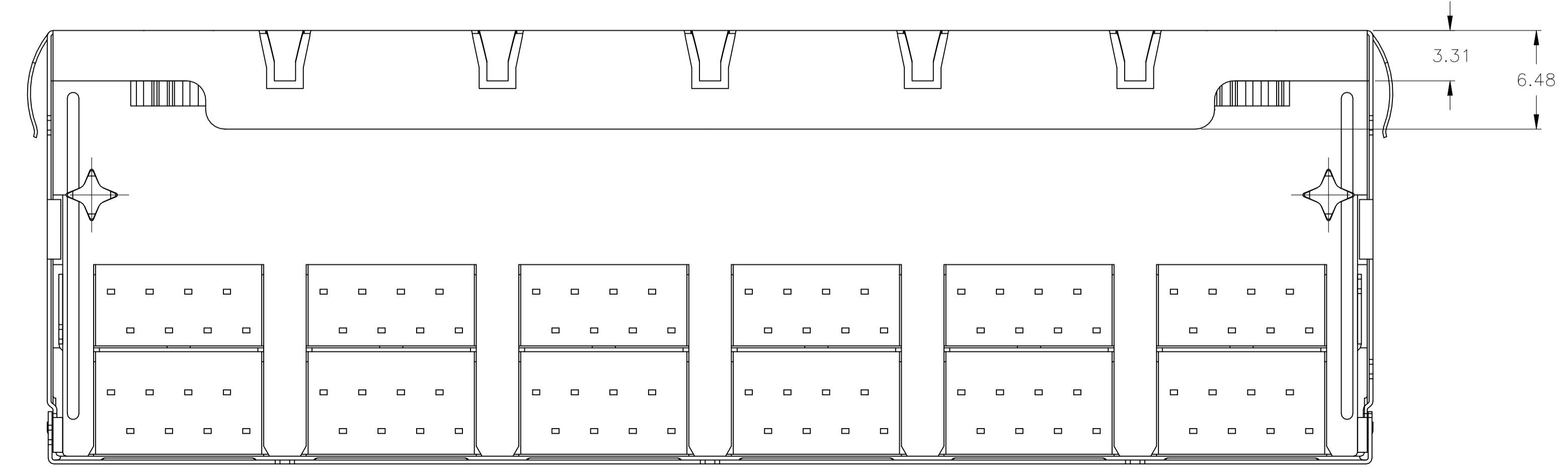
PN 6116000-2 & -3 SHOWN



SECTION VIEW ONLY FOR PN 6116000-4



PARTIAL REAR VIEW



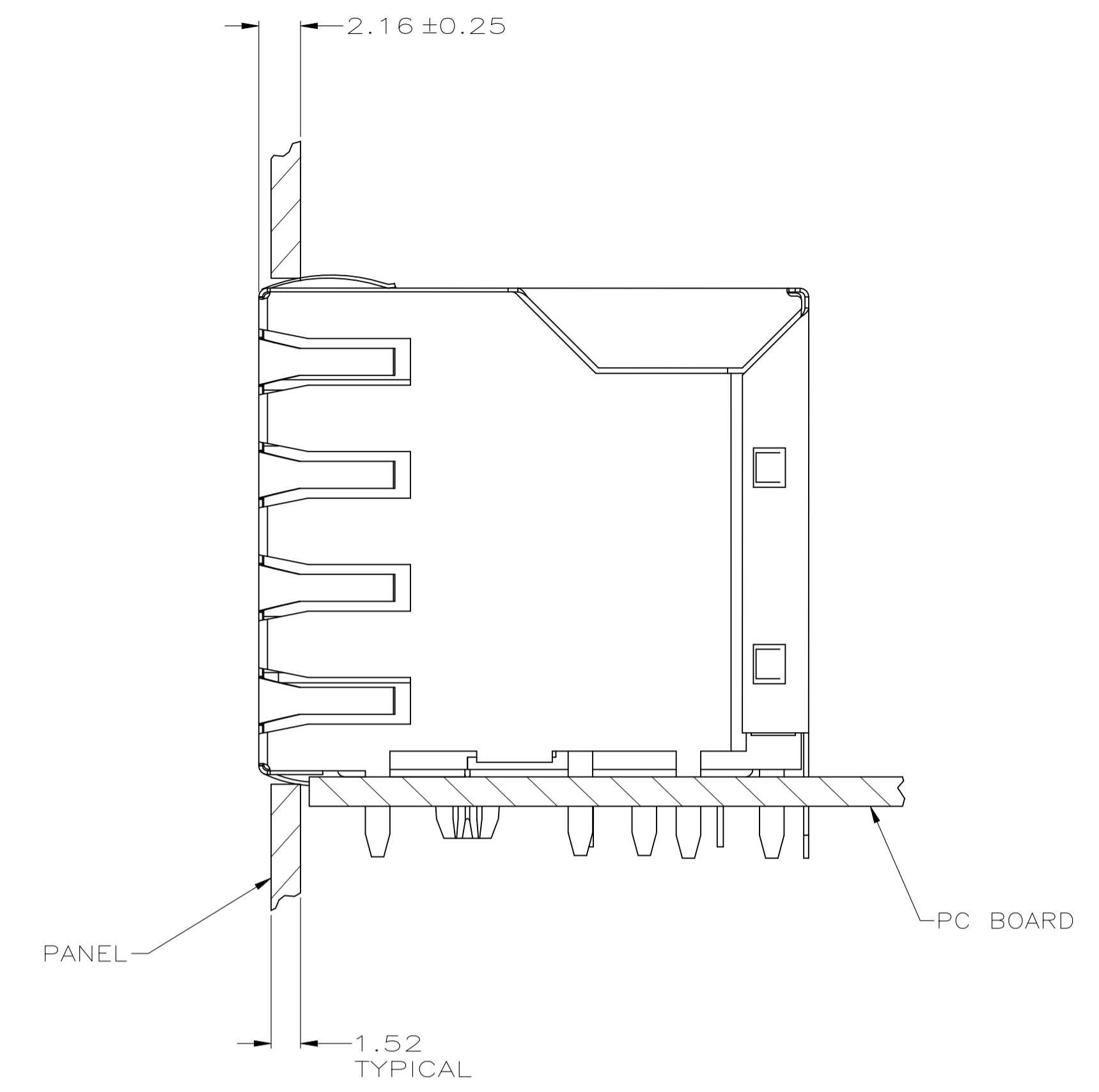
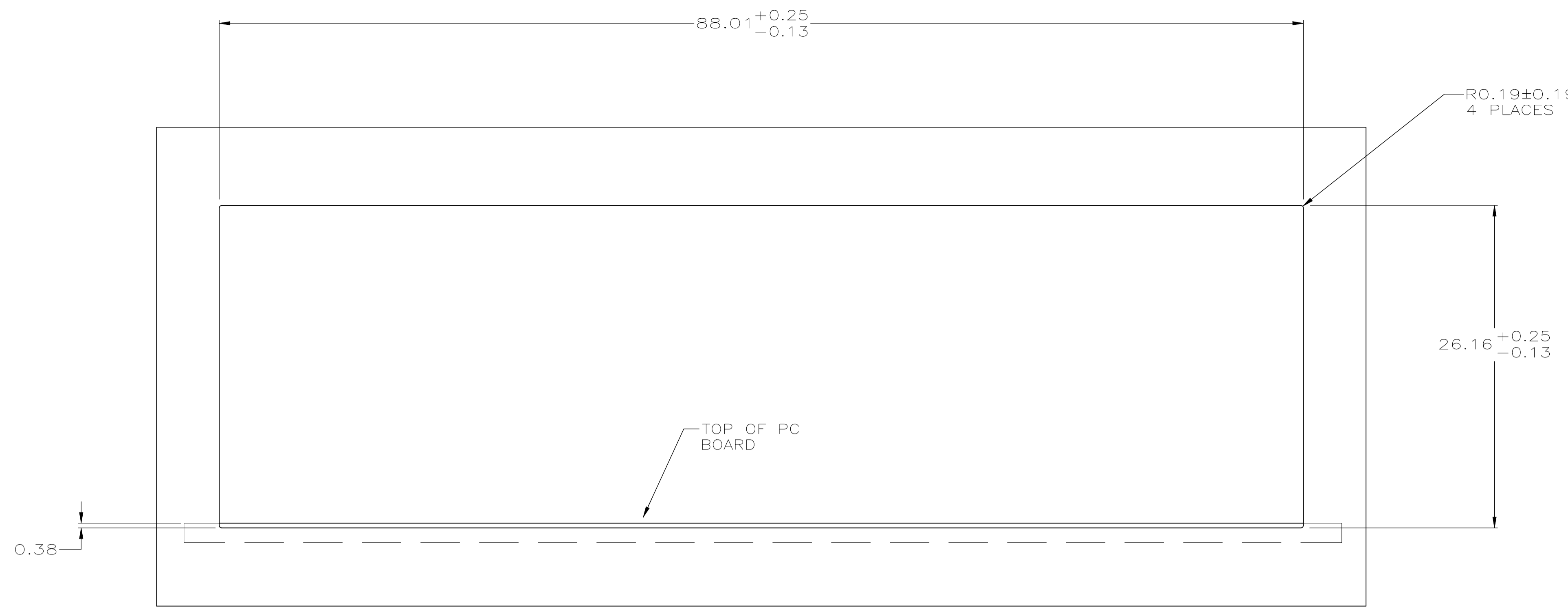
PN 6116000-1 & -4 SHOWN  
(WITH SHORT BOTTOM PANEL GROUND TABS AND 3 REAR TABS)

MATERIAL	FINISH	HOLES USED	NO. OF REAR TABS	PART NUMBER
NICKEL	A,C,E	3	3	6116000-4
NICKEL	A,B,C,D,E	5	5	6116000-3
NICKEL	A,B,C,D,E	5	5	6116000-2
NICKEL	A,C,E	3	3	6116000-1

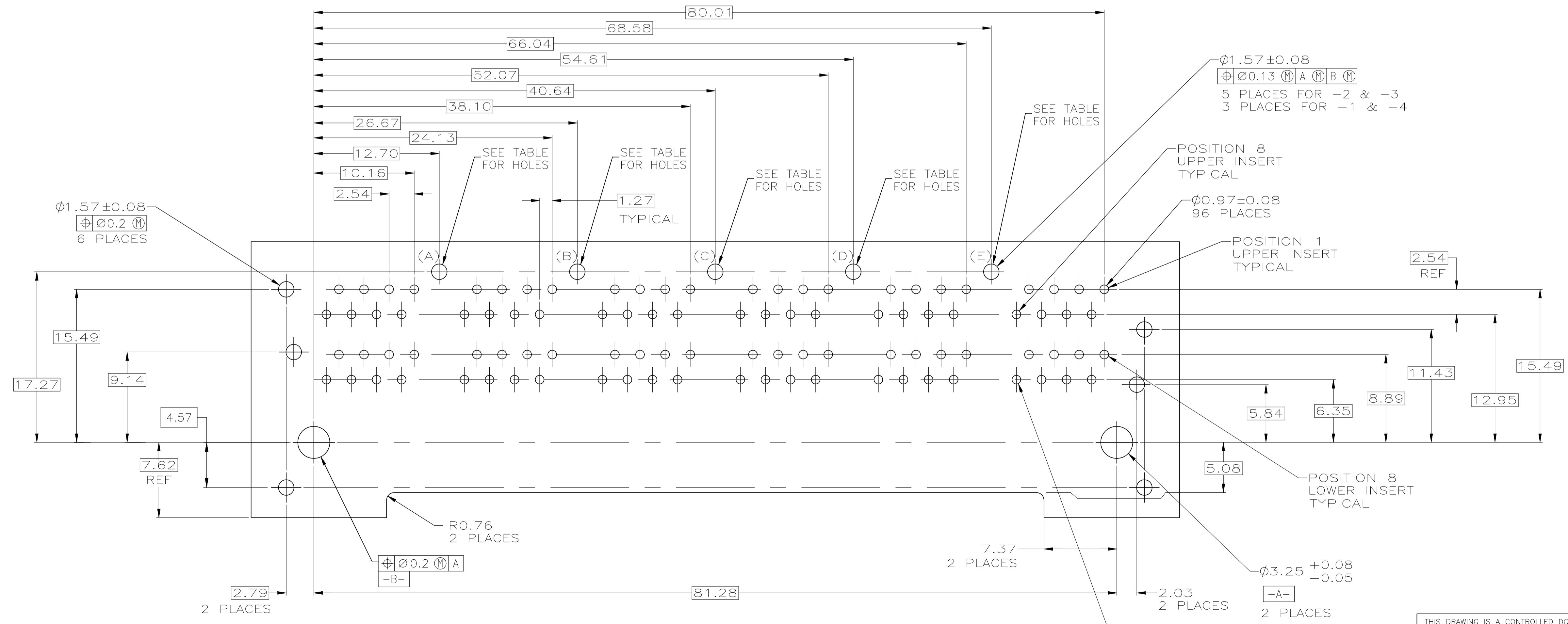
THIS DRAWING IS A CONTROLLED DOCUMENT.

DIMENSIONS: mm	TOLERANCES UNLESS OTHERWISE SPECIFIED:	DIN L. VARELA - DOCKS 08/JUN2005	CHK J. WESTMAN 08/JUN2005	APVD S. FLICKINGER 08/JUN2005	NAME		
0 PLC ± 0.13	1 PLC ± 0.13	TE Connectivity Ltd.			STACKED MODULAR JACK ASSEMBLY, 2x6 PORT, RJ45, SHIELDED, WAVE PANEL GROUNDS, CAT 5/GIGABIT ETHERNET		
2 PLC ± 0.13	3 PLC ± 0.13						
4 PLC ± 0.13	ANGLES ±						
MATERIAL	FINISH					SIZE	CAGE CODE
		114-2048	A1	00779	6116000		
CUSTOMER DRAWING		SCALE	4:1	SHEET	1 of 2	REV	D1

REVISIONS				
P	LTR	DESCRIPTION	DATE	APP'D
-	SEE SHEET 1			



SUGGESTED PANEL CUTOUT DIMENSIONS



PC BOARD LAYOUT VIEWED FROM COMPONENT SIDE

THIS DRAWING IS A CONTROLLED DOCUMENT.		DIN L. VARELA - DOCKS 08/JUN2005	 TE Connectivity Ltd.
DIMENSIONS: mm		CHK J. WESTMAN 08/JUN2005	
TOLERANCES UNLESS OTHERWISE SPECIFIED:		APP'D S. FLICKINGER 08/JUN2005	NAME STACKED MODULAR JACK ASSEMBLY, 2x6 PORT, RJ45, SHIELDED, WAVE PANEL PRODUCT SPEC 108-1163-2
0. PLC ± 0.13 1. PLC ± 0.13 2. PLC ± 0.13 3. PLC ± 0.13 4. PLC ± 0.13 ANGLES ± -		APPLICATION SPEC 114-2048	RESTRICTED TO
MATERIAL 1	FINISH 1	WEIGHT -	SCALE 4:1 SHEET 2 OF 2 REV D1