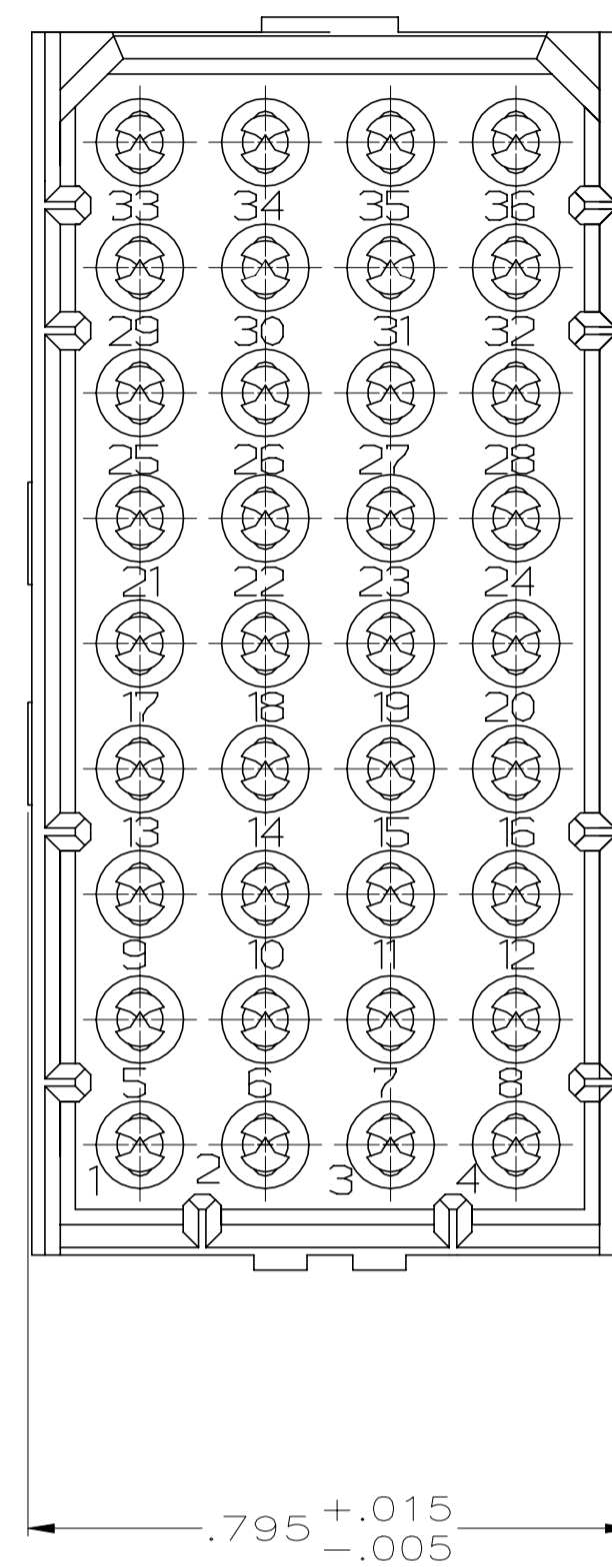
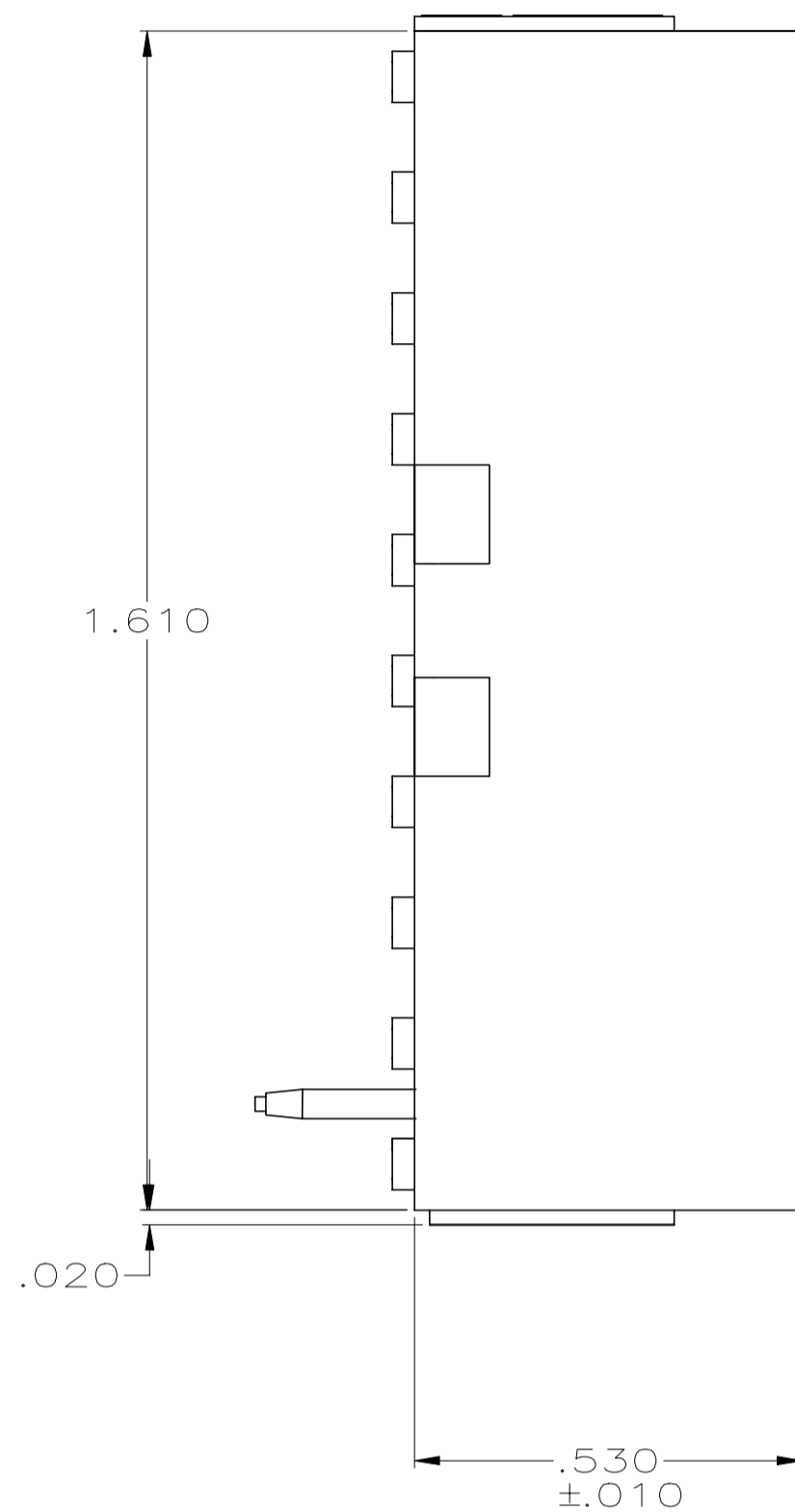
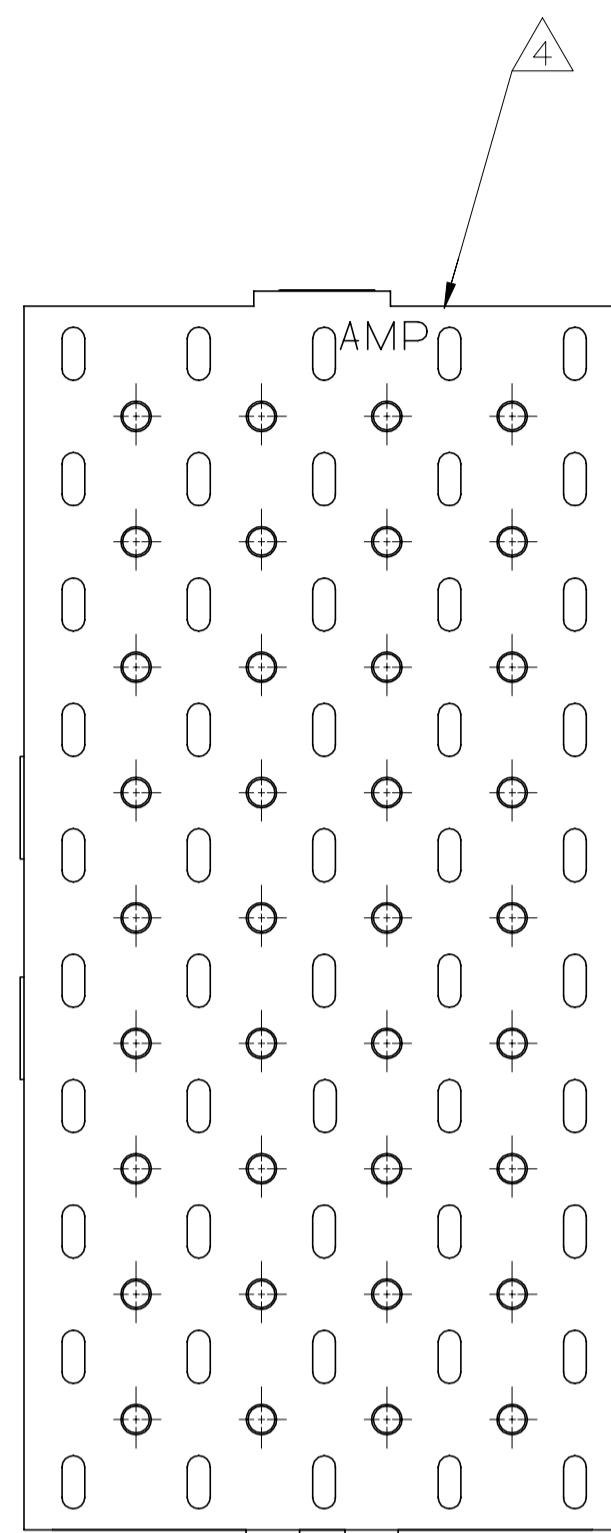
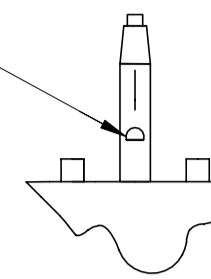
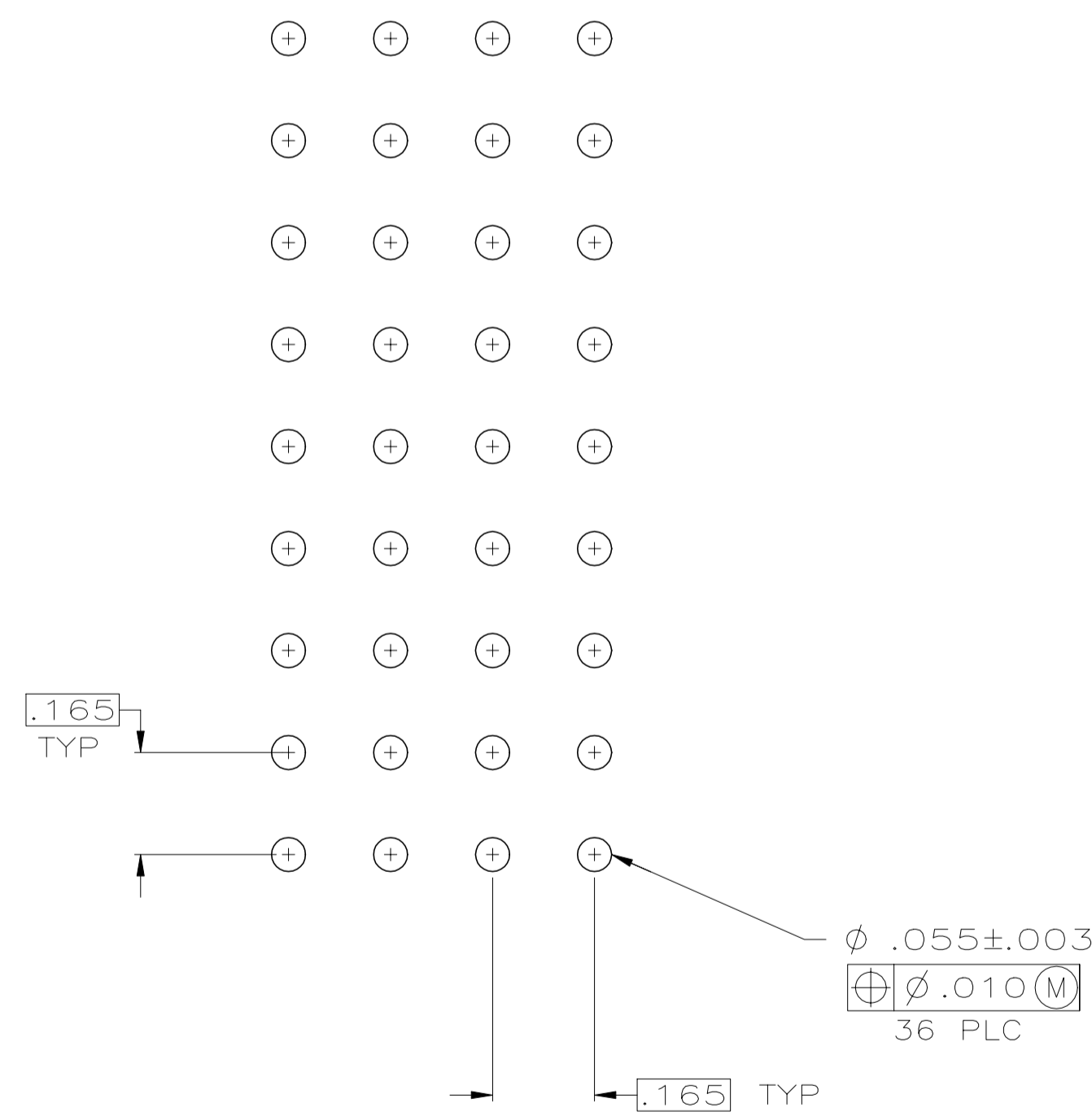


REVISIONS					
P	LTR	DESCRIPTION	DATE	DRN	APVD
E		REVISED PER ECO-21-006900	13DEC21	RK	MZ

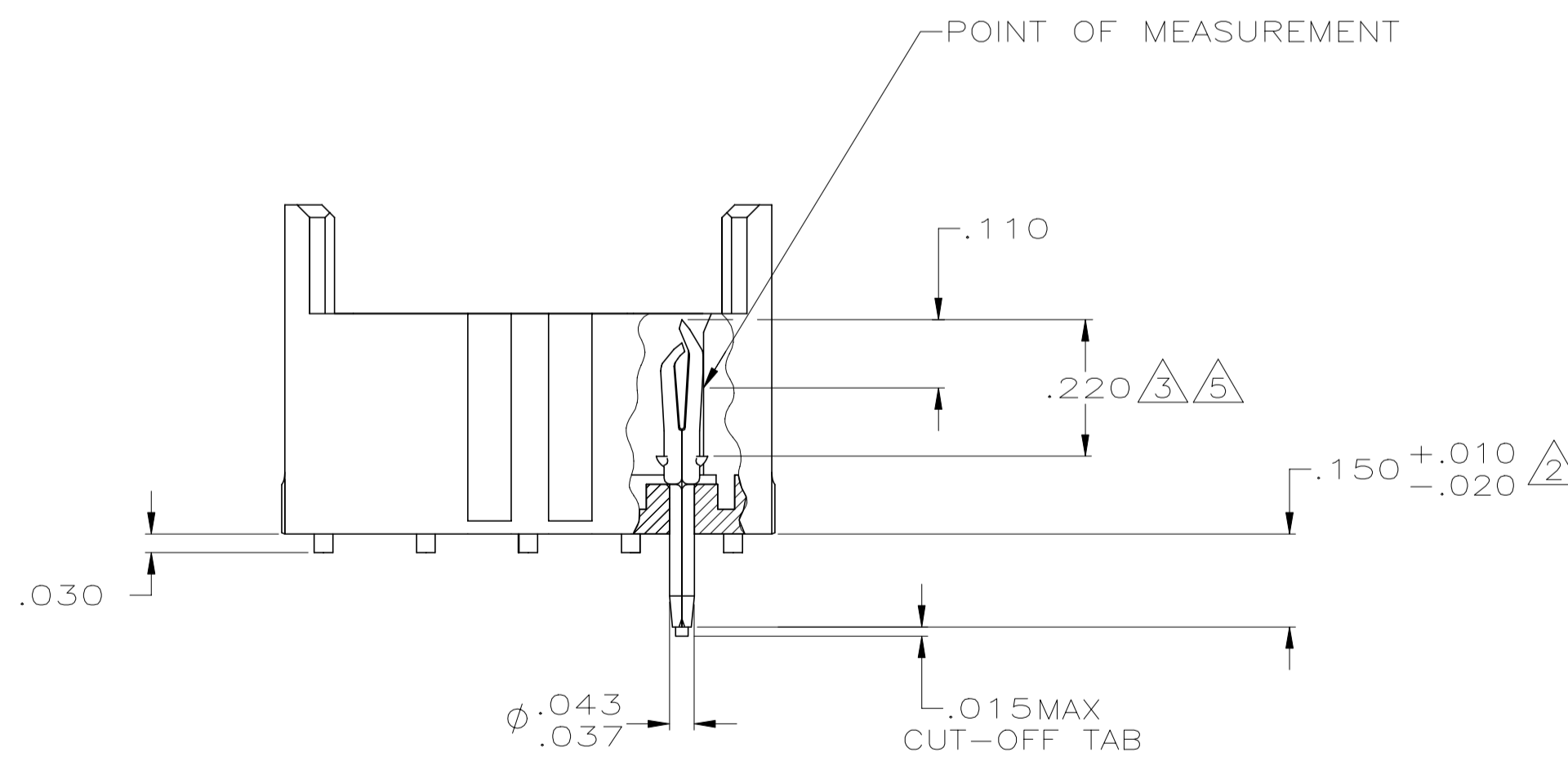
ANTI SOLDER WICKING TAB



- 1 ASSEMBLY CONFORMS TO AMP SOLDERABILITY SPEC. 109-11-3.
- 2 FOR USE WITH .063 THICK P.C. BOARD.
- 3 CONTACT IS PLATED OVERALL WITH .000050 NICKEL, THEN .000030 GOLD OVER CONTACT LENGTH INDICATED AND MATTE TIN ON SOLDER TAIL END.
- 4 UL AND CSA LOGO LOCATED ON THIS SURFACE.
- 5 CONTACT IS PLATED OVERALL WITH .000050 NICKEL, THEN .000030 GOLD OVER CONTACT LENGTH INDICATED AND MATTE TIN LEAD ON SOLDER TAIL END.
- 6 HOUSING MATERIAL: PA66, BLACK, UL 94 V-0 RATED
CONTACT MATERIAL: PHOSPHOR BRONZE



RECOMMENDED P.C. BOARD LAYOUT



IN	MM	IN	MM	IN	MM
.015	0.38	.110	2.79	1.610	40.89
.010	0.25	.063	1.60	.795	20.19
.008	0.20	.055	1.40	.530	13.46
.005	0.13	.043	1.09	.220	5.59
.003	0.08	.037	0.94	.210	5.33
.000050	0.00127	.030	0.76	.165	4.19
.000030	0.00076	.020	0.51	.150	3.81

CONVERSION TABLE

OBSOLETE	GOLD ³	1-608017-4
	GOLD ⁵	608017-4
	PIN FINISH	PART NO

THIS DRAWING IS A CONTROLLED DOCUMENT.

DIMENSIONS:	TOLERANCES UNLESS OTHERWISE SPECIFIED:	DRN	L.A. McEACHIN	16-DEC-99
INCHES		DKR	K. COBLE	17-DEC-99
0 PLC	± -	APVD	K. COBLE	17-DEC-99
1 PLC	± -	NAME		
2 PLC	± -	PRODUCT SPEC		
3 PLC	± .005	APPLICATION SPEC		
4 PLC	± -	WEIGHT		
ANGLES	± 0° 30'	CUSTOMER DRAWING		

MATERIAL: ⁶ SEE TABLE

SIZE	CAGE CODE	DRAWING NO	RESTRICTED TO
A1	00779	C=608017	-

SCALE: 4:1 SHEET 1 OF 1 REV E