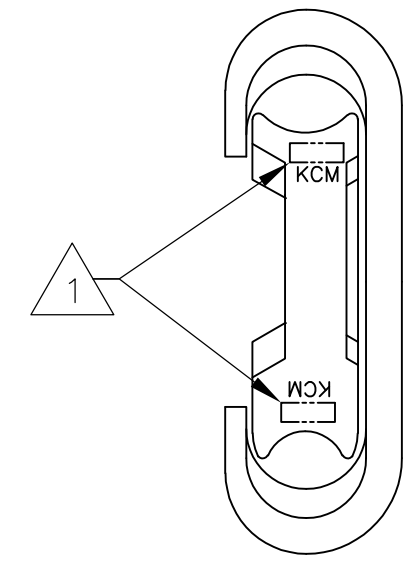
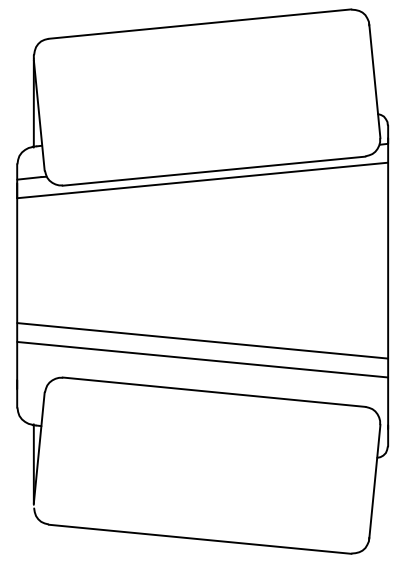
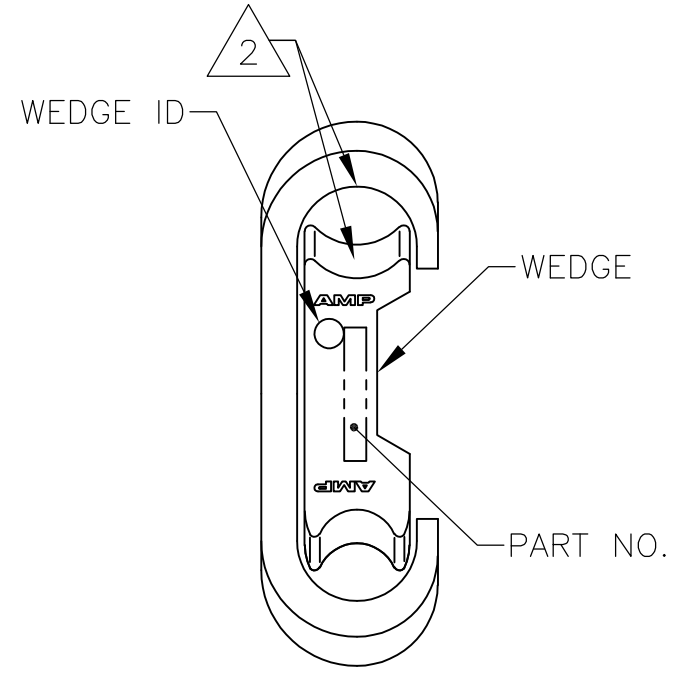
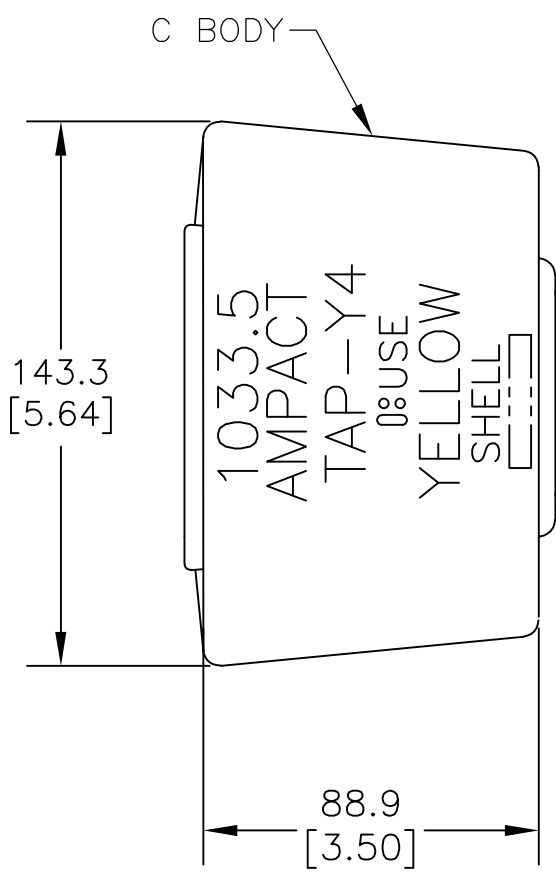
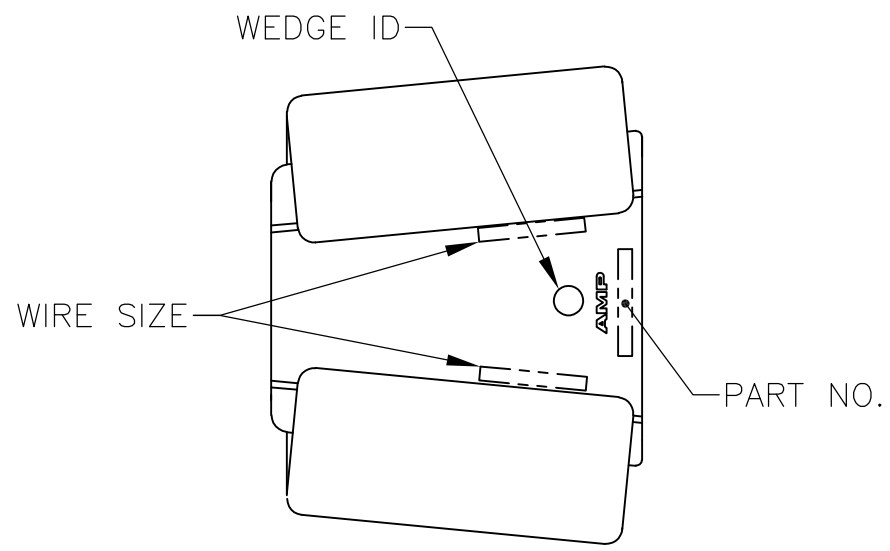
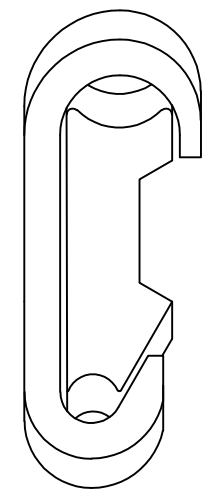
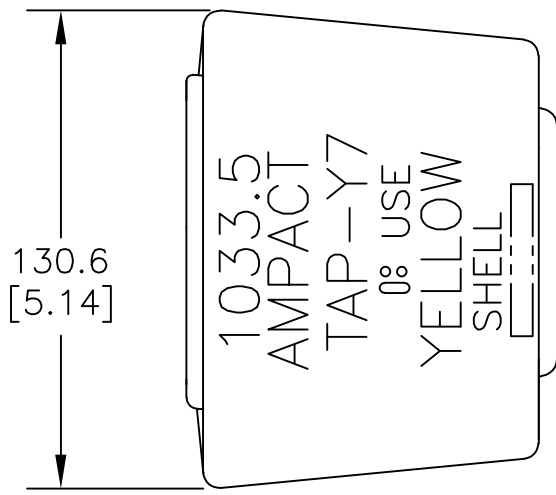


THIS DRAWING IS UNPUBLISHED. RELEASED FOR PUBLICATION
 © COPYRIGHT BY TYCO ELECTRONICS CORPORATION. ALL RIGHTS RESERVED.

LOC	DIST	REVISIONS					
GA	1	P	LTR	DESCRIPTION	DATE	DWN	APVD
			A	LC20-0183-08 / ECO-08-020023	13AUG2008	DM	BJ



ASSEMBLY "A"



ASSEMBLY "B"

ASSY	WEDGE ID.	WIRE SIZE	PART NO.	
B	82	1033.5 TO #6	1-602180-6	
	81	1033.5 TO #4	1-602180-5	
	80	1033.5 TO #2	1-602180-4	
	79	1033.5 TO 1/0	1-602180-3	
	78	1033.5 TO 2/0	1-602180-2	
	77	1033.5 TO 3/0	1-602180-1	
	76	1033.5 TO 4/0	1-602180-0	
	75	1033.5 TO 266.8	602180-9	
	A	74	1033.5 TO 336.4	602180-8
		73	1033.5 TO 397.5	602180-7
64		1033.5 TO 477.0	602180-6	
72		1033.5 TO 556.5	602180-5	
15		1033.5 TO 636.0	602180-4	
14		1033.5 TO 715.5	602180-3	
67		1033.5 TO 795.0	602180-2	
13		1033.5 TO 954.0	602180-1	
12	1033.5 TO 1033.5	602180		

- 1 WIRE SIZES ARE MARKED ON WEDGE.
- 2 INHIBITOR IS APPLIED AT FACTORY TO GROOVES OF 'C' BODY AND WEDGE.
- 3. USE YELLOW CARTRIDGE PART #69338-4.
- 4. DIMENSIONS ARE FOR REFERENCE ONLY.

THIS DRAWING IS A CONTROLLED DOCUMENT.		DWN D. MURUGIAH 13AUG2008	Tyco Electronics Corporation Markham, ON L3R 1E1	
DIMENSIONS: MM		CHK D. LADIN 18AUG2008	NAME TAP ASSEMBLY, 1033.5 SERIES, YELLOW CODED, AMPACT	
TOLERANCES UNLESS OTHERWISE SPECIFIED:		APVD B. JOHNSON 18AUG2008	RESTRICTED TO	
0 PLC ±		PRODUCT SPEC	SIZE A3	CAGE CODE 00779
1 PLC ±		APPLICATION SPEC	DRAWING NO G-602180	REV A
2 PLC ±		WEIGHT	SCALE NTS	SHEET 1 OF 1
3 PLC ±		CUSTOMER DRAWING		
4 PLC ±				
ANGLES ±				
FINISH				
MATERIAL REFER BOM				