

4

3

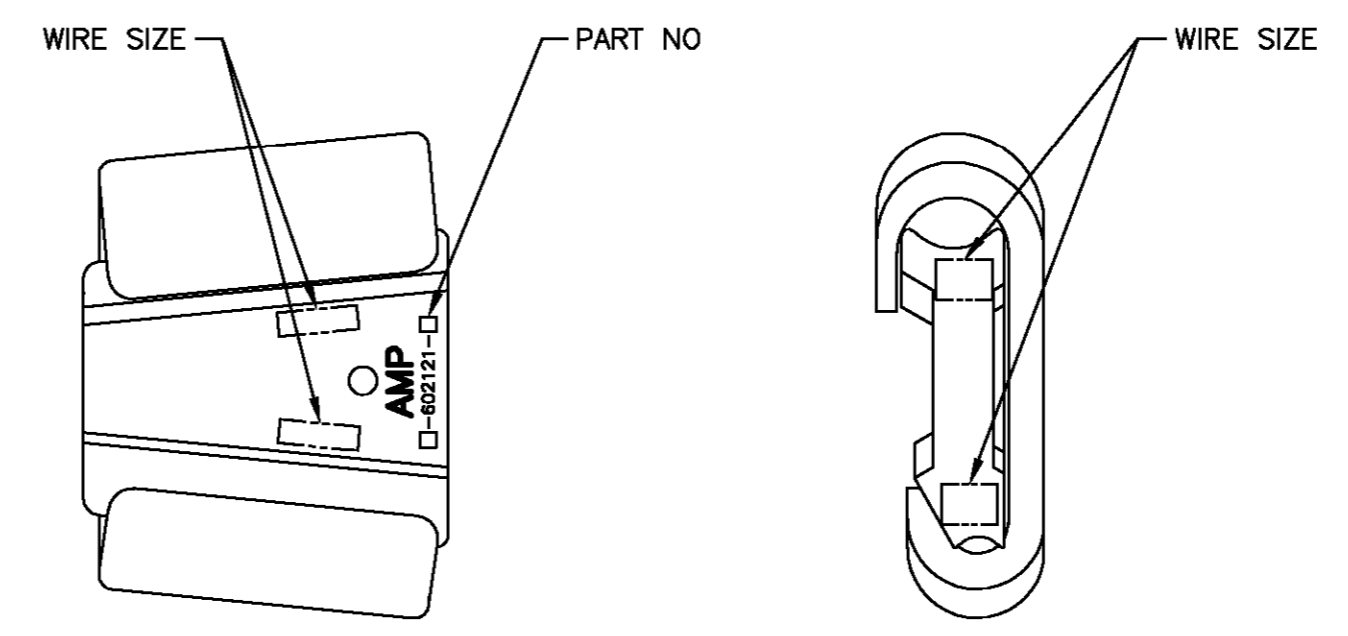
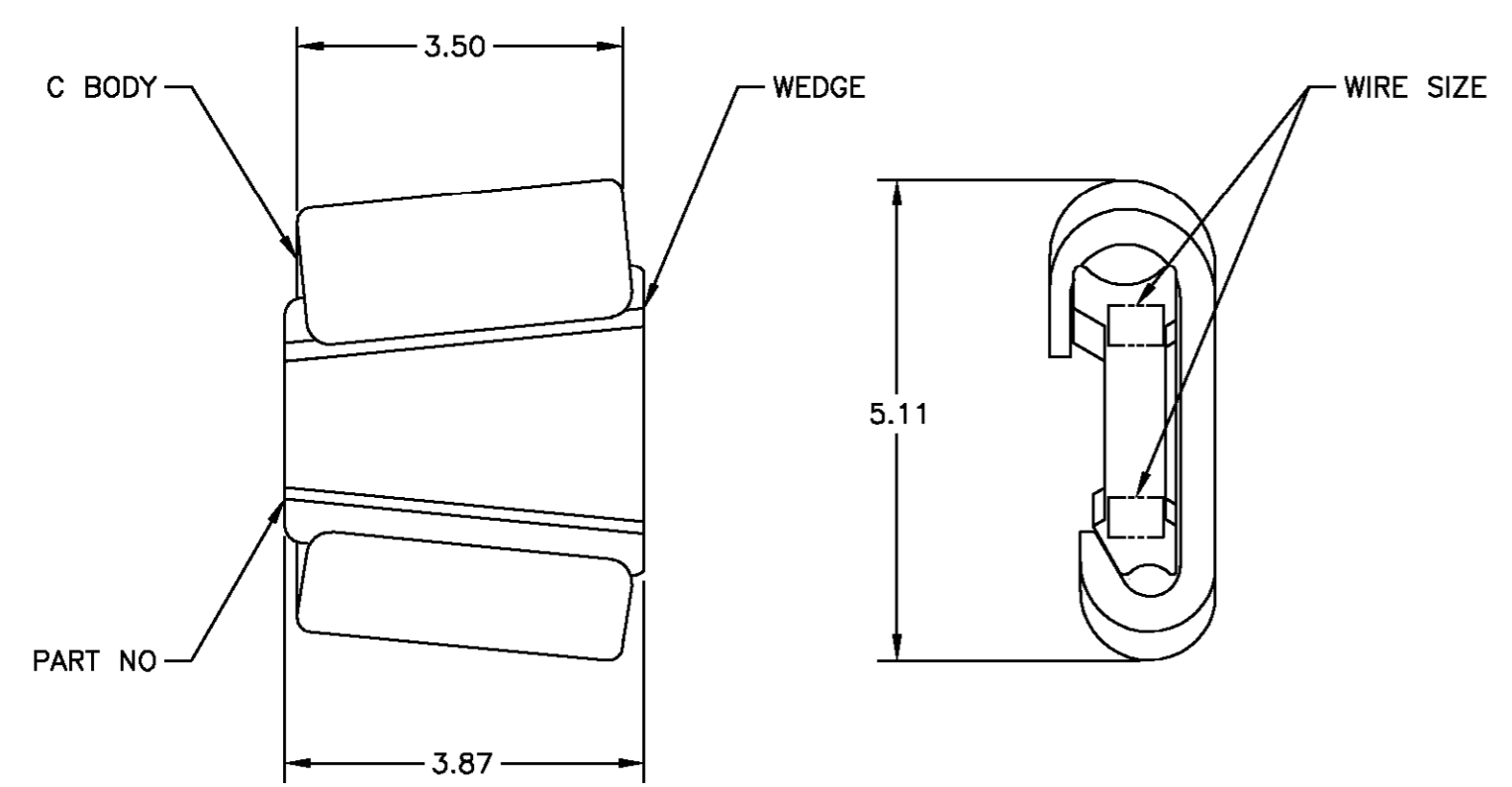
2

1

THIS DRAWING IS UNPUBLISHED. RELEASED FOR PUBLICATION
 BY TYCO ELECTRONICS CORPORATION. ALL RIGHTS RESERVED.

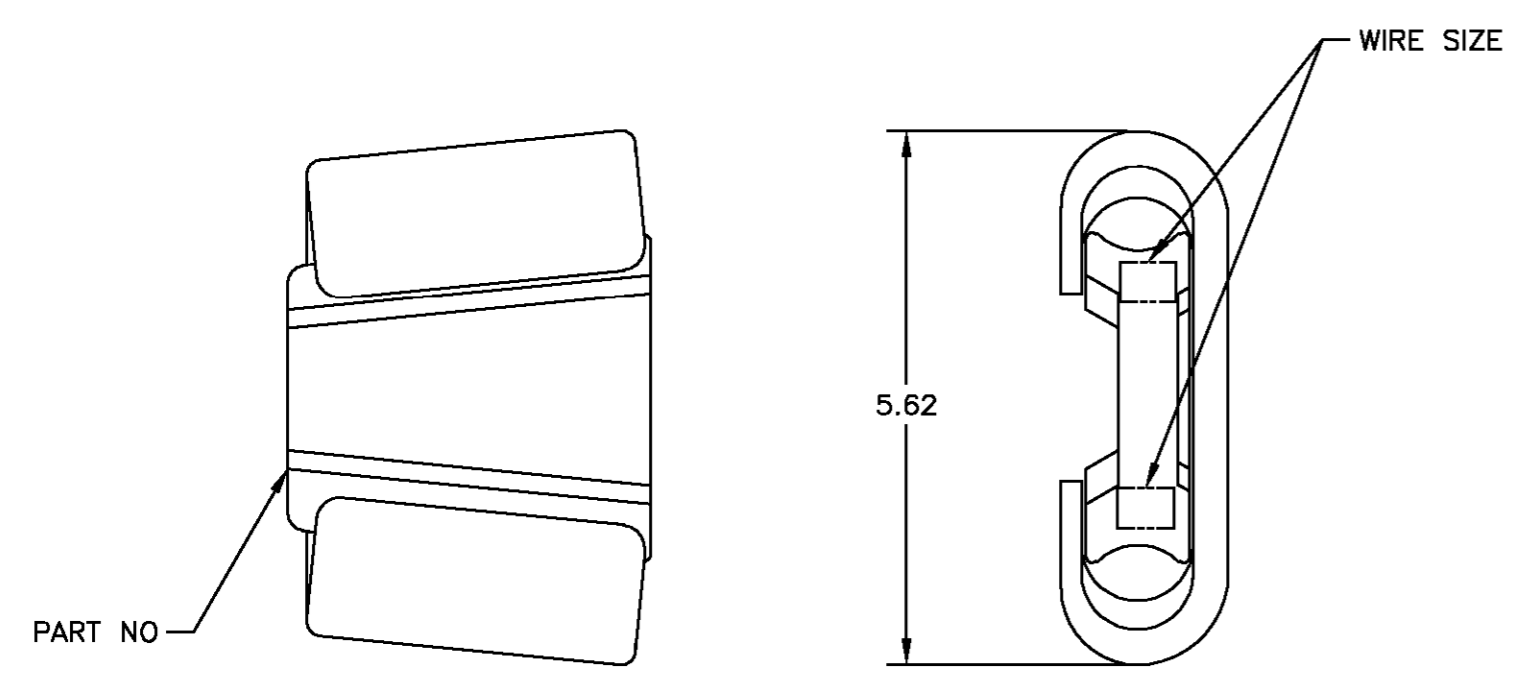
LOC		DIST		REVISIONS			
P	LTR	DESCRIPTION	DATE	DWN	APVD		
GA	1	B	REVISED PER EC LC20-0177-02	22 OCT 02	CD	BJ	

1. DIMENSIONS ARE FOR REFERENCE ONLY
2. INHIBITOR IS APPLIED AT FACTORY TO GROOVES OF 'C' BODY AND WEDGE
3. WIRE SIZES ARE MARKED ON WEDGE
4. USE YELLOW SHELLS PART NO. 69338-4 WITH AMP TOOL PART NO 69633-2



ALTERNATE MARKING

ASSEMBLY A



ASSEMBLY B

ASSY	WIRE SIZE	WEDGE QTY. 1	C BODY QTY. 1	PART NO
A	795.0 - #6			1-602121-4
A	795.0 - #4			1-602121-3
A	795.0 - #2			1-602121-2
A	795.0 - 1/0			1-602121-1
A	795.0 - 2/0			1-602121-0
A	795.0 - 3/0			602121-9
A	795.0 - 4/0			602121-8
A	795.0 - 266.8	ALUM ALLOY	ALUM ALLOY	602121-7
B	795.0 - 336.4			602121-6
B	795.0 - 397.5			602121-5
B	795.0 - 477.0			602121-4
B	795.0 - 556.5			602121-3
B	795.0 - 636.0			602121-2
B	795.0 - 715.5			602121-1
B	795.0 - 795.0			602121

THIS DRAWING IS A CONTROLLED DOCUMENT.

DWN M. CHOW 28 MAY 98	Tyco Electronics Corporation Markham, ON L3R 1E1
CHK J. HANNA 03 JUN 98	
APVD B. JOHNSON 03 JUN 98	NAME AMPACT TAP 795.0 SERIES, YELLOW CODED
DIMENSIONS: INCHES	SIZE A2
TOLERANCES UNLESS OTHERWISE SPECIFIED: 0 PLC ± 1 PLC ± 2 PLC ± 3 PLC ± 4 PLC ± ANGLES ±	CAGE CODE 00779
MATERIAL SEE CHART	DRAWING NO 602121
	RESTRICTED TO
	SCALE 1:2
	SHEET 1 OF 1
	REV B

602121

A