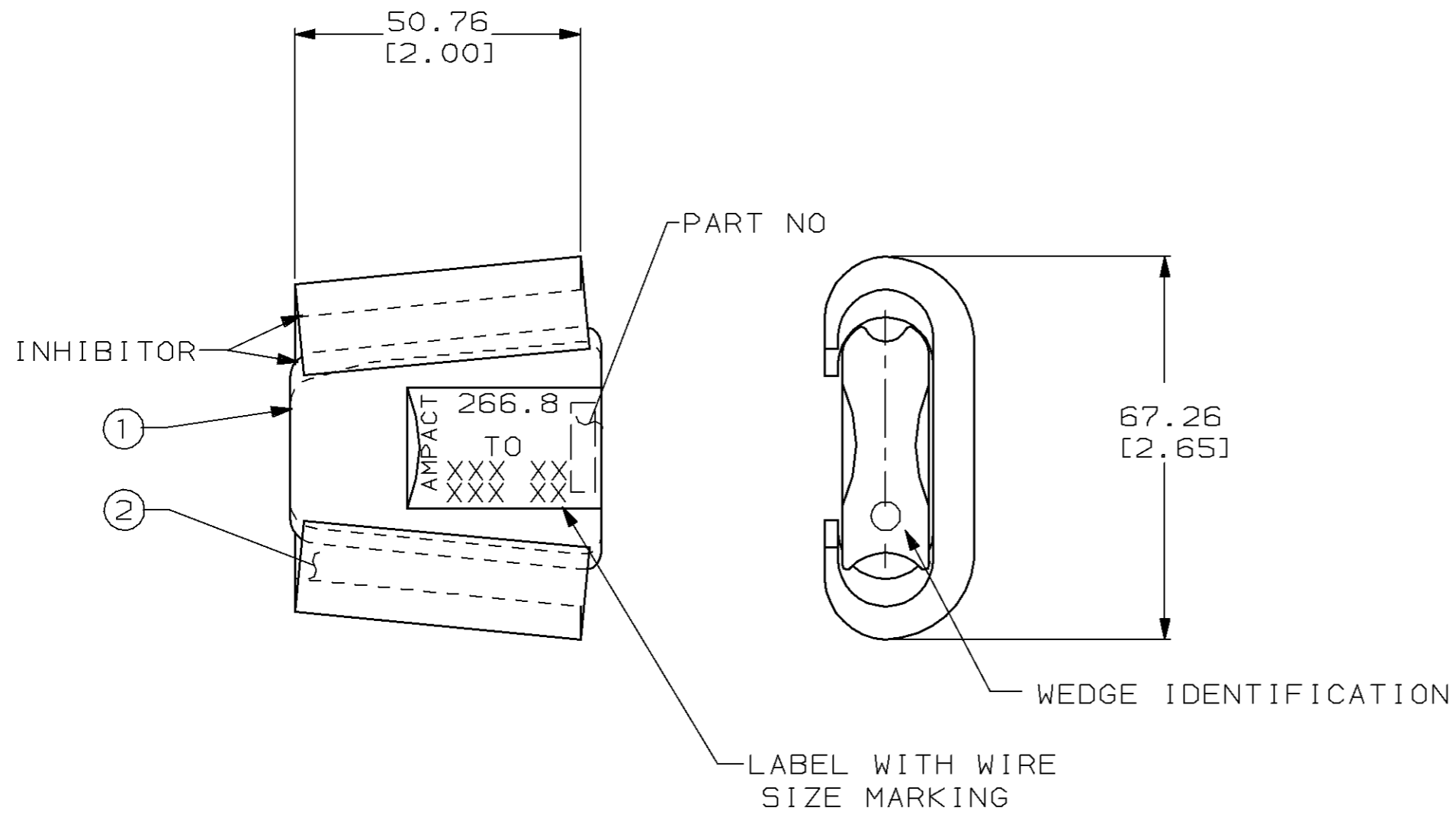


THIS DRAWING IS UNPUBLISHED. RELEASED FOR PUBLICATION ,19 .
 © COPYRIGHT 19 BY AMP INCORPORATED. ALL RIGHTS RESERVED.

LOC	DIST	REVISIONS			
P	LTR	DESCRIPTION	DATE	DWN	APVD
BG	5	A	INT REL PER 2000-113-94	SEPT94	MH BJ



WEDGE IDENT	WIRE SIZE	② WEDGE, QTY=1	① 'C' BODY, QTY=1	PART NO
9	266.8 TO 266.8			602046-9
				602046-8
7	266.8 TO 4/0 STR			602046-7
6	266.8 TO 3/0 STR, 250.0 SOL	ALUM. ALLOY	ALUM. ALLOY	602046-6
5	266.8 TO 2/0 STR, 4/0 SOL			602046-5
4	266.8 TO 1/0 STR, 3/0, 2/0 SOL			602046-4
3	266.8 TO #2 STR, 1/0 SOL			602046-3
2	266.8 TO #4 STR, #2 SOL			602046-2
1	266.8 TO #6 STR #4, 6 SOL			602046-1

OBSOLETE

THIS DRAWING IS A CONTROLLED DOCUMENT FOR AMP INCORPORATED. IT IS SUBJECT TO CHANGE AND THE CONTROLLING ENGINEERING ORGANIZATION SHOULD BE CONTACTED FOR THE LATEST REVISION.

DIMENSIONS: mm [INCHES]	TOLERANCES UNLESS OTHERWISE SPECIFIED: 0 PLC ±- 1 PLC ±- 2 PLC ±- 3 PLC ±- 4 PLC ±- ANGLES ±- FINISH -	DRAWN BY: M. HOECKE SEPT '94 CHECKED BY: V. COTA SEPT '94 APPROVED BY: B. JOHNSON SEPT '94 PRODUCT SPEC - APPLICATION SPEC - WEIGHT -	AMP of Canada Ltd Markham, Ontario
MATERIAL -		CUSTOMER DRAWING	AMPACT TAP ASSY
		SIZE: A3	CAGE CODE: 00779
		DRAWING NO: C-602046	SCALE: NTS
		SHEET: 1 OF 1	REV: A